

Data sheet

Sheet No.: D128, Rev. B

Date: June 2005

Hytorch XL

High Temperature Actuator

For for general high temperature applications

These Hytorch XL Actuators contain special soft parts, like O-ring seals, wear strips, bearings and grease to enable them to remain functional at high temperatures of up to +120°C / +248°F.

Hytorch XL actuators can be supplied as standard with a High Temperature trim kit. To upgrade standard Hytorch XL actuators to this High Temperature variation or for maintenance, trim kits are available with the appropriate parts and instructions.

Option:

This same High Temperature variation can be used for higher temperatures than +120° / 248°F, but with a limited operational time and number of cycles. Please see data sheet D120 for more details on the upper temperature limit and the limitations.

Specifications:

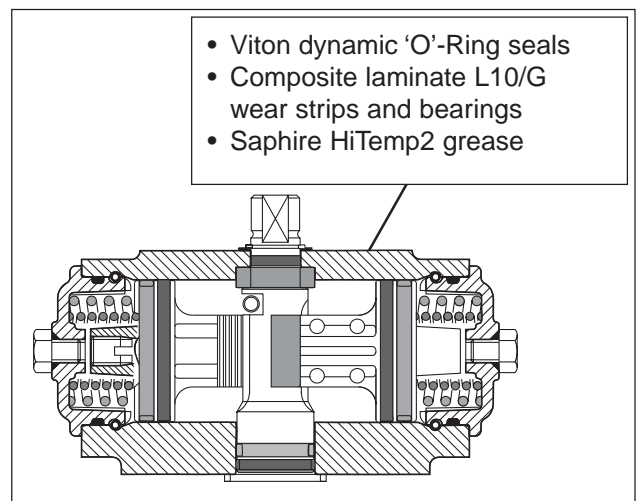
Temperature range : -20°C to +120°C /
-4°F to +248°F

Dynamic O-ring seals : Fluorocarbon Rubber 9775 (Viton).

Static O-ring seals : Nitrile Rubber (Buna-N)

Bearing material : High Temp composite laminate L10/G

Grease : Sapphire HiTemp2, a synthetic hydrocarbon oil with a lithium complex thickener (NLGI No. 2).



Component Description	Material	Qty	Model Numbers
Dynamic 'O'-ring Seals (to be exchanged)			
'O' ring Pinion top	Fluorocarbon Rubber 9775 (Viton).	1	XL26 - XL4581
'O' ring Pinion Bottom	Fluorocarbon Rubber 9775 (Viton).	1	XL26 - XL4581
'O' ring Piston	Fluorocarbon Rubber 9775 (Viton).	2	XL26 - XL4581
Static 'O'-ring Seals (same as standard)			
'O' ring End Cap	Nitrile Rubber (Buna-N)	2	XL26 - XL4581
'O' ring SAFEKEY Head	Nitrile Rubber (Buna-N)	2	XL26 - XL4581
Thread Seal	Stainless Steel / Rubber	2	XL26 - XL221
'O' ring Limit Stops	Nitrile Rubber (Buna-N)	2	XL281 - XL4581
'O' ring End Cap Stop bolt	Nitrile Rubber (Buna-N)	2	XL26 - XL4581
Wear Strips and Bearings (to be exchanged)			
Piston Wear Strips	High Temp composite laminate L10/G	2	XL26 - XL4581
Piston Head Glide Ring	High Temp composite laminate L10/G	2	XL26 - XL4581
Pinion Top Bearing	High Temp composite laminate L10/G	1	XL26 - XL4581
Pinion Bottom Bearing	High Temp composite laminate L10/G	1	XL26 - XL4581

HYTORK

www.Hytork.com

Copyright © Emerson Process Management. The information in this document is subject to change without notice.

Updated data sheets can be obtained from our website www.hytorch.com or from your nearest Valve Automation Center

USA: +1 813 630 2255 (fax 630 9449) UK: +44 191 5180020 (fax 5180032)

EMERSON
Process Management