

**Data sheet**

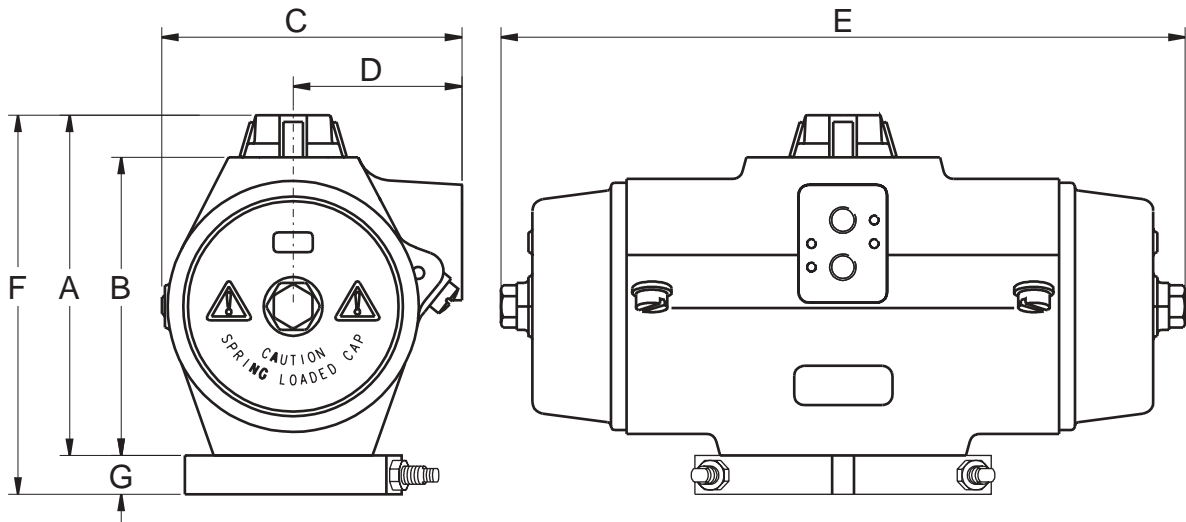
Sheet No.: D113, Rev. B

Date: June 2005

**Hytork XL**

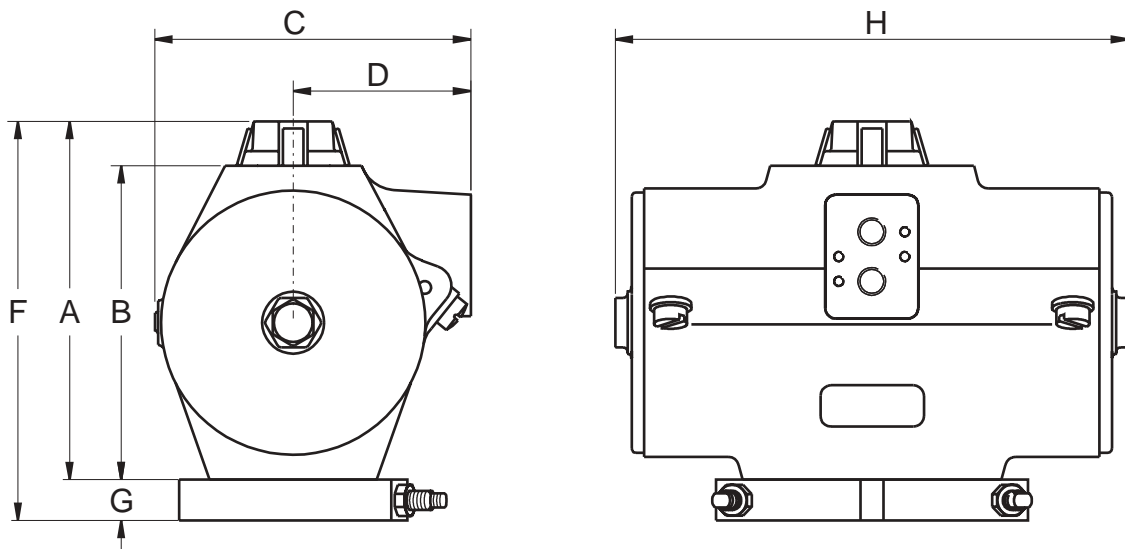
# Envelope Dimensions

## XL2586 / XL4581 Actuators with Stop Blocks (Imperial)



**Spring Return Units**

Models	A	B	C	D	E	F	G
XL2586	11.50"	10.24"	9.96"	5.16"	33.94"	13.31"	1.81"
XL4581	15.28"	14.02"	12.64"	6.30"	34.80"	17.09"	1.81"



**Double Acting Units**

Models	A	B	C	D	H	F	G
XL2586	11.50"	10.24"	9.96"	5.16"	18.39"	13.27"	1.81"
XL4581	15.28"	14.02"	12.64"	6.30"	20.28"	17.05"	1.81"



www.Hytork.com

Copyright © Emerson Process Management. The information in this document is subject to change without notice.

Updated data sheets can be obtained from our website [www.hytork.com](http://www.hytork.com) or from your nearest Valve Automation Center

USA: +1 813 630 2255 (fax 630 9449) UK: +44 191 5180020 (fax 5180032)



**EMERSON**  
Process Management