

Product data sheet

Sheet No.: 1.606.05 - Rev: A
Date: April 2006

FieldQ

FieldQ Valve Actuator Options

Position Indication - Center Plate

Visual position indicator

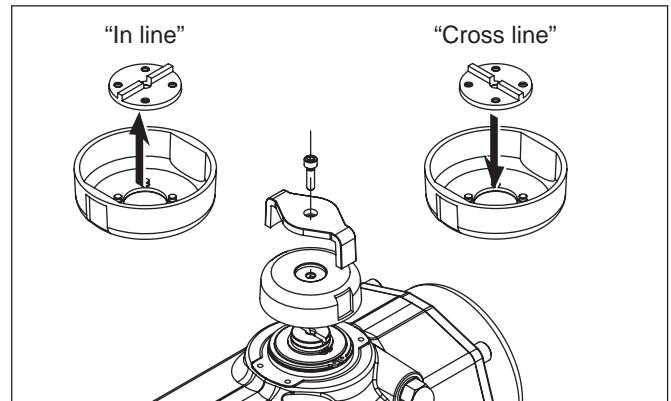
FieldQ valve actuators can be equipped with a large visual position indicator which allows clear indication of the valves position at almost any position.

The FieldQ indicator is designed for position indication of actuators mounted "in line" with the pipe line and mounted "cross line" with the pipe line. To do this the inner part can be removed, turned 90° and pushed back in place.

When supplied, the position indicator will be mounted "in line" as standard. See data sheet 1.606.04 for other indicator mounting options.

Specifications:

Material disk : Nylon PA6, Black
Material arrow : Nylon PA6, Yellow

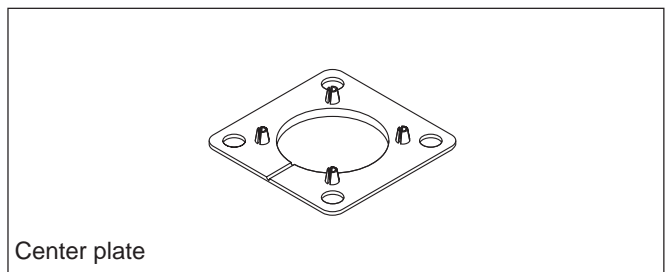


Center plate for DIN3337 applications

FieldQ actuators can be equipped with a centre plate which takes care that actuator and valve (or valve mounting kit) are aligned when mounted. For most of the actuator sizes two center plates are available.

Specifications:

Material plate : Nylon PA6, Black



Center plate

	FieldQ™ actuator models							
	Q40	Q65	Q100	Q200	Q350	Q600	Q950	Q1600
Std	F05	F05	F07	F10	F10	F12	F14	F16
Option	F07	F07	F05	F07	F07	-/-	-/-	-/-



www.FieldQ.com

Copyright © Emerson Process Management. The information in this document is subject to change without notice. Updated data sheets can be obtained from our web site www.Fieldq.com or from your nearest Valve Automation Center: **America's:** +1 813 630 2255 (fax +1 630 9449) **Europe:** +31 74 256 10 10 (fax +31 74 291 09 38) **Asia/Pacific:** +65 626 24 515 (fax +65 626 80 028)



EMERSON
Process Management