

## Product data sheet

Sheet No.: 1.605.03 - Rev: C

Date: May, 2006

FieldQ

# FieldQ Valve Actuator Options

## NAMUR Plate.

### Description

The top flange of the FieldQ actuator is standard equipped with a NAMUR drilling pattern. The addition of a NAMUR adaptation plate it makes the FieldQ actuator suitable for mounting all kinds of NAMUR compatible control and feed-back accessories like solenoids, switch boxes or positioners.

### Backwards compatibility

Where the FieldQ is meant to be a integrated concept for valve automation, there are a number of reasons for also having NAMUR interfaces:

### Emergency repairs.

- When the control module requires immediate repair and the process can only be stopped for a limited time, it would be easy to mount standard available NAMUR accessories.

### Future updates

- When a plant is not yet ready for digital (bus) communication, but will be upgraded in the (near) future towards this technology, it is easy to change from NAMUR accessories to a FieldQ with bus communication.

### Available equipment.

- NAMUR compatible accessories are easy to acquire. Many suppliers offer accessories that can be fitted to NAMUR actuator interfaces.

### Construction

The NAMUR adaptation plate is fitted in front of the actuator part of the FieldQ and replaces in fact the Pneumatic Module.

### Specifications:

Material	: Aluminum
Air connection	: 1/4" BSP or 1/4" NPT
Finish	: Housing : Anodized with a polyester non-TGIC based powder coating
	: Pistons : Chromitized
Fasteners	: Stainless Steel
Seals	: Nitrile Rubber O-rings

### Optional Temperature ranges

Special selected O-ring seals and grease makes it possible to utilize the FieldQ actuator, with NAMUR plate, for various temperature ranges. Three temperature ranges are available:

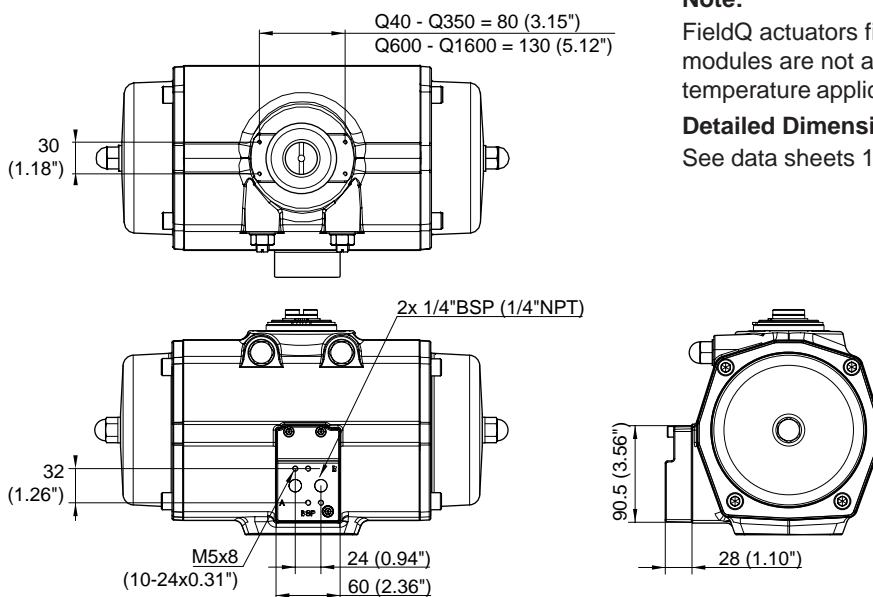
- **Option code ST**: 80°C (176°F) / -20°C (-4°F)  
O-ring seals : Nitrile rubber  
Grease : Castrol LMX
- **Option code HT**: 120°C (248°F) / -20°C (-4°F)  
O-ring seals : Fluoro rubber (FPM) Viton®  
Grease : Castrol LMX
- **Option code LT**: 80°C (176°F) / -40°C (-40°F)  
O-ring seals : Silicone MVQ 70  
Grease : Castrol Optitemp TT1

### Note:

FieldQ actuators fitted with Pneumatic Modules and control modules are not available for high temperature or low temperature applications.

### Detailed Dimensions

See data sheets 1.603.05, 1.603.06 and 1.603.07.



www.FieldQ.com

Copyright © Emerson Process Management. The information in this document is subject to change without notice. Updated data sheets can be obtained from our web site [www.FieldQ.com](http://www.FieldQ.com) or from your nearest Valve Automation Center: **America's**: +1 813 630 2255 (fax +1 630 9449) **Europe**: +31 74 256 10 10 (fax +31 74 291 09 38) **Asia/Pacific**: +65 626 24 515 (fax +65 626 80 028)



**EMERSON**  
Process Management