

Product data sheet

Sheet No.: 1.604.50 - Rev: A
Date: September, 2006

FieldQ

Control Module Options

Electrical entry options

Description

FieldQ Control Modules are shipped from factory with plugs in the electrical entries. These transport plugs avoid moisture or particles entering the module during transport and installation.

For installation purposes, FieldQ Control Modules can be fitted with glands, plugs or connectors in the electrical entries.

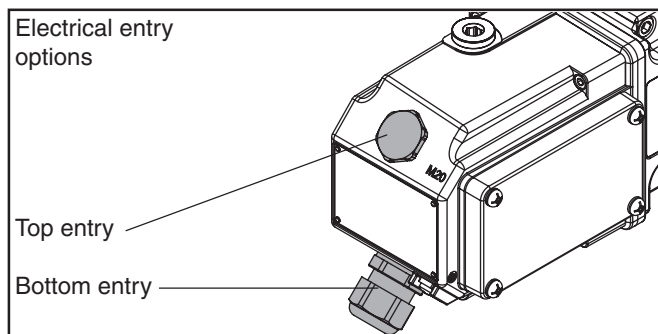
Option ordering codes

Modules QC01, QC02, QC03 and QC04			
Code : Bottom entry		Code : Top entry	
0X	Transport plug	X0	Transport plug
1X	Metal blind plug	X1	Metal blind plug
2X	Plastic gland	X2	Plastic gland
3X	Metal Gland	X3	Metal Gland

Module QC30 and QC34			
Code : Bottom entry		Code : Top entry	
0X	Transport plug	X0	Transport plug
1X	Metal blind plug	X1	Metal blind plug
2X	Plastic gland	X2	Plastic gland
3X	Metal Gland	X3	Metal Gland
4X	Eurofast (M12)	X4	Eurofast (M12)
5X	Minifast (7/8")	X5	Minifast (7/8")

Notes:

- The glands are suitable for cables from 6 to 12mm (1/4" to 1/2").
- Standard plastic glands will be black. For Intrinsically safe units, these glands will be blue.
- For Quick Connector details see data sheets 1.604.02 (QC34;FF) or 1.604.04 (QC30;ASI).



Manual Control

Description

For commissioning, emergency or maintenance purposes, the FieldQ can be supplied with Manual Control options. These options can operate the actuator when there is air pressure available, but no control signal or power supply. Two versions are available:

- 1 **"Push" version.** Pressing the spring return button will operate the actuator. Releasing the button will bring back the actuator in its original position.
- 2 **"Push & Lock" version.** To operate this optional Manual Control, use a screw driver (0.8x4mm). Push and turn it 90°, to lock it in position and keep the actuator in its operated state.
It is possible to rotate the screw multiple cycles. The unit will toggle every 90° between "locked" (1) and "unlocked" (0).

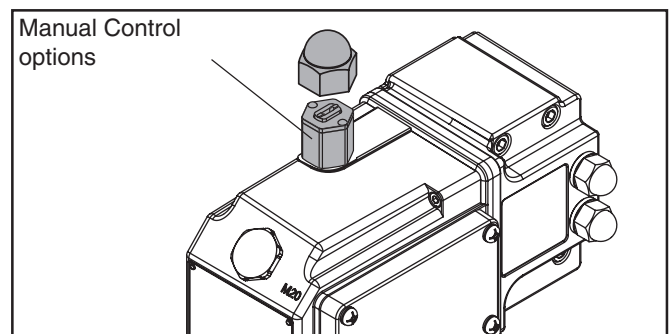
These options can be ordered together with the Control Module or as a kit to be mounted later.

Materials

- Push version : Red anodized aluminum
- Push & Lock version : Red anodized aluminum

Option ordering codes

For modules QC01, QC02, QC03, QC04, QC30 and QC34	
Code	Description:
0	No Manual Control
1	Manual Control (Push)
2	Manual Control (Push&Lock)



www.FieldQ.com

Copyright © Emerson Process Management. The information in this document is subject to change without notice. Updated data sheets can be obtained from our web site www.FieldQ.com or from your nearest Valve Automation Center: **America's:** +1 813 630 2255 (fax +1 630 9449) **Europe:** +31 74 256 10 10 (fax +31 74 291 09 38) **Asia/Pacific:** +65 626 24 515 (fax +65 626 80 028)



EMERSON
Process Management