

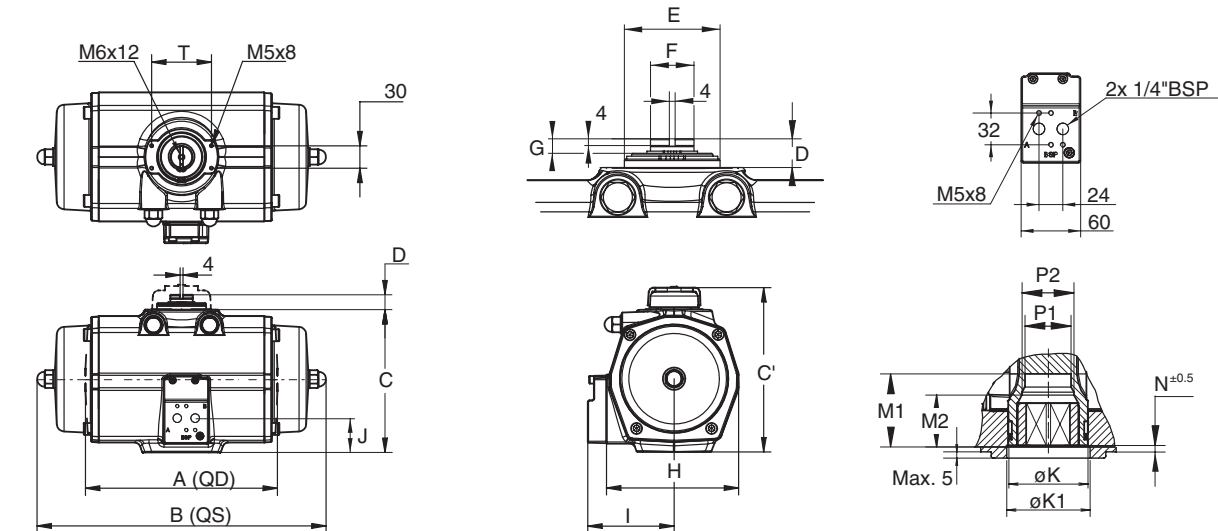
**Product data sheet**

Sheet No.: 1.603.07 - Rev: A  
Date: September, 2006

FieldQ

# FieldQ Valve Actuator Dimensions

## Metric Actuators - DIN3337 / NAMUR plate



Dim.	FieldQ™ actuator models								
	Q40	Q65	Q100	Q150	Q200	Q 350	Q600	Q950	Q1600
<b>A QD</b>	180	199	221	310	283	305	387	424	516
<b>B QS</b>	202	249	254	211	358	390	419	459.5	567.5
<b>C</b>	104	116.5	141	150	160	191	245	276	337
<b>C'</b>	137	150.4	175	184	194	225	289	319	380
<b>D</b>	20	20	20	20	20	20	30	30	30
<b>E</b>	56	56	56	65	66	66	87	96	95
<b>F</b>	16	18	20	22	30	30	35	35	45
<b>G</b>	9.5	9	11	10	9	10	19.5	19	28.5
<b>H</b>	90	102	115	129	135	177	209	234	268
<b>I</b>	75	81	88	97	99	119	134	147	164
<b>J</b>	40	40	50	46	45	46	53	56	70
<b>K</b>	33	33	38	55	55	55	68	75	95
<b>K1</b>	32	32	40	50	54	54	68	75	95
<b>M1</b>	34.5	34.5	34.5	50	50	50	50	65	81
<b>M2</b>	-	-	27	-	37	37	-	-	-
<b>N</b>	1	1	1.5	1	1.5	1.5	1.5	1.5	1.5
<b>O max.</b>	14.11	14.11	17.13	17.13	22.13	27.13	27.13	36.16	46.16
<b>O min.</b>	14.00	14.00	17.00	17.00	22.00	27.00	27.00	36.00	46.00
<b>P</b>	18.1	18.1	22.2	22.2	28.2	36.2	36.2	48.2	60.2
<b>P1</b>	18.1	21.2	23.1	28.5	32.2	36.5	36.8	48.3	60.5
<b>P2</b>	-	-	25.2	-	36.2	-	-	-	-
<b>Q</b>	35	70	55	55	70	70	85	100	130
<b>R</b>	65	70	70	90	90	114	124	130	154
<b>S</b>	65	70	70	90	90	114	124	142	280
<b>T</b>	80	80	80	80	80	80	130	130	130
<b>PCD</b>	<b>F05</b>	<b>F05</b>	<b>F07</b>	<b>F07</b>	<b>F10</b>	<b>F10</b>	<b>F12</b>	<b>F14</b>	<b>F16</b>
<b>V</b>	50	50	70	70	102	102	125	140	165
<b>W</b>	M6x	M6x	M8x	M8x	M10x	M10x	M12x	M16x	M20x
	10	10	13	13	16	16	20	25	30
<b>Optional dimensions</b>									
<b>K1'</b>	40	40	32	54	50	50	-	-	-
<b>Q'</b>	55	35	35	70	55	55	-	-	-
<b>PCD</b>	<b>F07</b>	<b>F07</b>	<b>F05</b>	<b>F10</b>	<b>F07</b>	<b>F07</b>	<b>F10</b>	<b>F10</b>	<b>F25*</b>
<b>V'</b>	70	70	50	102	70	70	102	102	-
<b>W'</b>	M8x	M8x	M8x	M10x	M10x	M10x	M12x	M16x	-
	13	13	13	16	16	16	20	25	-



www.FieldQ.com

Copyright © Emerson Process Management. The information in this document is subject to change without notice. Updated data sheets can be obtained from our web site [www.Fieldq.com](http://www.Fieldq.com) or from your nearest Valve Automation Center: **America's:** +1 813 630 2255 (fax +1 630 9449) **Europe:** +31 74 256 10 10 (fax +31 74 291 09 38) **Asia/Pacific:** +65 626 24 515 (fax +65 626 80 028)



**EMERSON**  
Process Management