

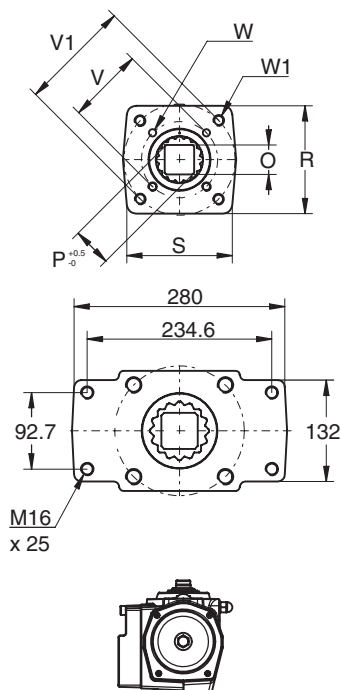
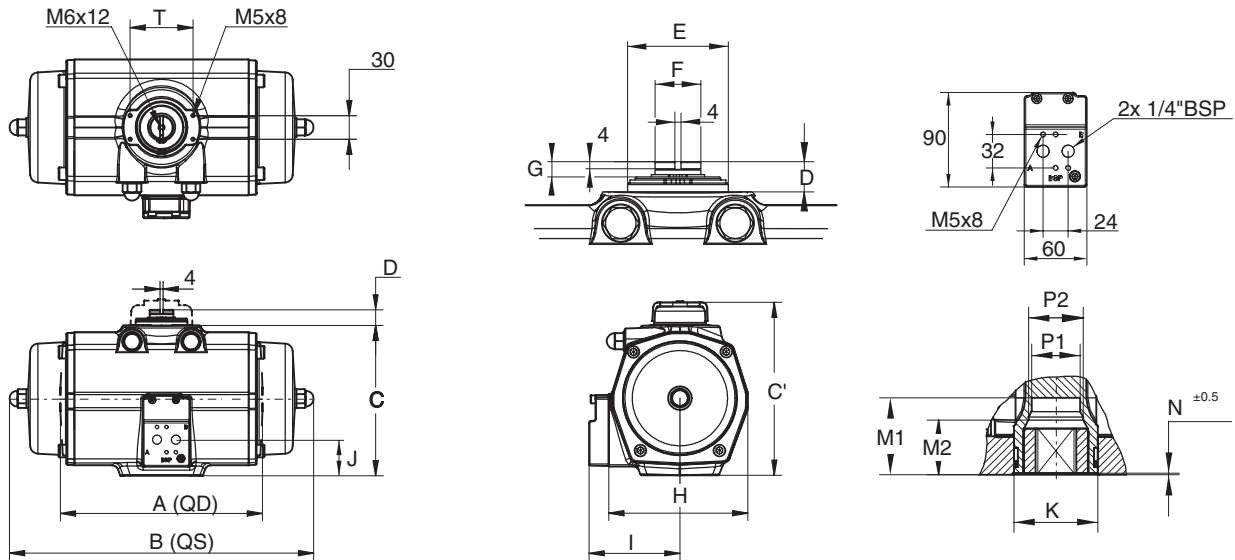
Product data sheet

Sheet No.: 1.603.05 - Rev: A
Date: September, 2006

FieldQ

FieldQ Valve Actuator Dimensions

Metric Actuators - ISO5211 / NAMUR plate



Note:

1. Dimensions are in mm.
2. The limit stop screws on the Q40 and Q65 are on the opposite side to those on the larger actuators.

Dim. in mm.	FieldQ™ actuator models								
	Q40	Q65	Q100	Q150	Q200	Q 350	Q600	Q950	Q1600
A QD	180	199	221	310	283	305	387	424	516
B QS	202	249	254	211	358	390	419	460	568
C	104	117	141	150	160	191	245	276	337
C'	137	150	175	184	194	225	289	319	380
D	20	20	20	20	20	20	30	30	30
E	56	56	56	65	66	66	87	96	95
F	16	18	20	22	30	30	35	35	45
G	9.5	9	11	10	9	10	19.5	19	28.5
H	90	102	115	129	135	177	209	234	268
I	75	81	88	97	99	119	134	147	164
J	40	40	50	46	45	46	53	56	70
K	33	33	38	55	55	55	68	75	95
M1	34.5	34.5	34.5	50	50	50	50	65	81
M2	-	-	27	-	37	37	-	-	-
N	1	1	1.5	1.0	1.5	1.5	1.5	1.5	1.5
O max.	14.11	14.11	19.13	19.13	22.13	27.13	27.13	36.16	46.16
O min.	14.00	14.00	19.00	19.00	22.00	27.00	27.00	36.00	46.00
P	18.1	18.1	25.2	25.2	28.2	36.2	36.2	48.2	60.2
P1	18.1	21.2	23.5	28.5	32.2	32.2	36.8	48.3	60.5
P2	-	-	25.2	-	36.2	36.2	-	-	-
R	65	70	70	90	90	114	124	130	154
S	65	70	70	90	90	114	124	142	280
T	80	80	80	80	80	80	130	130	130
PCD	F05/F07	F05/F07	F05/F07	F07/F10	F07/F10	F07/F10	F10/F12	F10/F14	F16/F25*
V	50	50	50	70	70	70	102	102	165
V1	70	70	70	102	102	102	125	140	-
W	M6x 10	M6x 10	M6x 10	M8x 13	M8x 13	M8x 13	M10x 16	M10x 16	M20x 30
W1	M8x 13	M8x 13	M8x 13	M10x 16	M10x 16	M10x 16	M12x 20	M16x 25	-



www.FieldQ.com

Copyright © Emerson Process Management. The information in this document is subject to change without notice. Updated data sheets can be obtained from our web site www.FieldQ.com or from your nearest Valve Automation Center: **America's:** +1 813 630 2255 (fax +1 630 9449) **Europe:** +31 74 256 10 10 (fax +31 74 291 09 38) **Asia/Pacific:** +65 626 24 515 (fax +65 626 80 028)



EMERSON
Process Management