

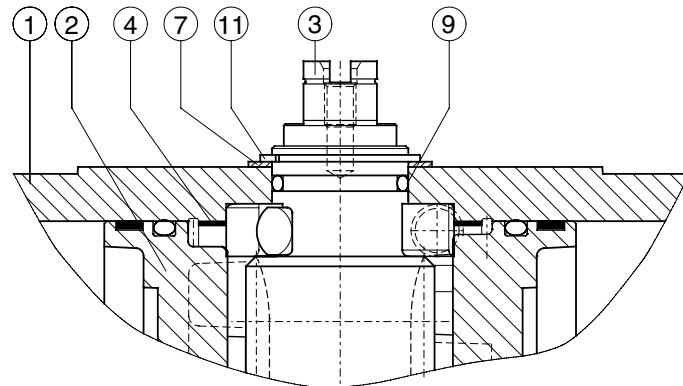
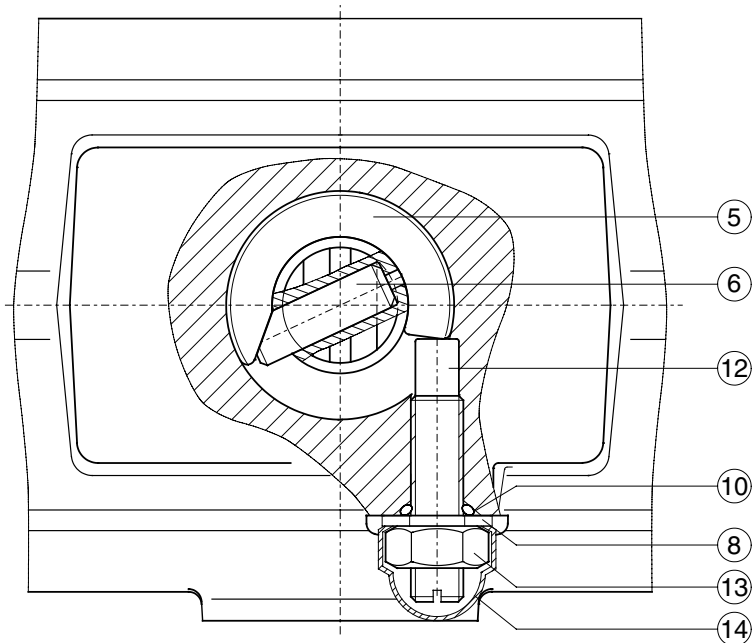
## Data sheet

Sheet No.: A1.101.60 Rev. B

Date: January 2012

# CONSTRUCTION, PARTS AND MATERIALS DSA ACTUATOR

DSA



Nr.	Description	Qty.	Material	Specification	Note
1	Body DSA	1	Aluminum Alloy	UNS A13600, ASTM B85	-
2	Piston DSA	2	Aluminum Alloy	UNS A03560, ASTM B26	-
3	Drive pinion DSA	1	Aluminum Alloy	AlZnMgCu1.5, DIN 1725/1	1
4	* Guide Band DSA	1	Nylatron GS	UNS A13600, ASTM B85	-
5	Cam for stroke adj. DSA	1	Stainless Steel	UNS A13600, ASTM B85	-
6	Shaftpin for stroke adj. DSA	1	Chrome nickel steel	UNS G10860, ASTM A228	-
7	* Washer	1	ZEDEX 100 K	-	-
8	* Washer	1	Nylon	UNS G10860, ASTM A228	-
9	* O-ring shaft top	1	Nitrile Rubber	C45, DIN 17200	-
10	* O-ring limit stop bolt DSA	1	Nitrile Rubber	PA6.6 + MoS2	-
11	Circlip	1	Carbon spring steel	PTFE + 25% C	2
12	Limitstop bolt DSA	1	Stainless Steel	PA6.6 + MoS2	-
13	Nut	1	Stainless Steel	POM	-
14	Nut Cover	1	Polyethylene	Buna N	-

\* Recommended spare parts (contained in Repair kits DSA)

### Finish

Polyester non-TGIC based powder coating (see data sheet A4.204.01)

### Note

- 1 Hard anodized
- 2 Deltatone® coating

### Remark

This data sheet shows only the extra or specific parts of a DSA actuator.  
For all the other parts see data sheet A1.101.33

**EL-O-MATIC™**

www.El-O-matic.com

Copyright © Emerson Process Management. The information in this document is subject to change without notice.

Updated data sheets can be obtained from our website [www.El-O-Matic.com](http://www.El-O-Matic.com) or from your nearest Valve Automation Center **USA:** +1 813 319 0266 **Europe:** +31 74 256 10 10 **Asia-Pacific:** +65 6501 4600

  
**EMERSON™**  
Process Management