

Data sheet

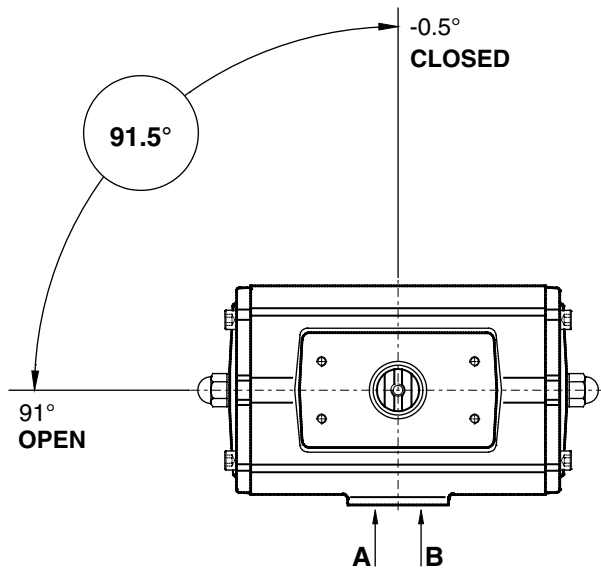
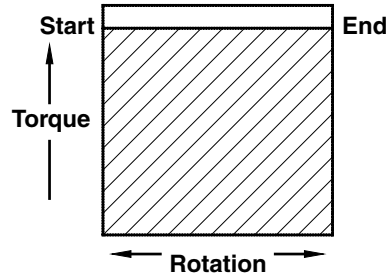
Sheet No.: 1.104.01 Rev. A

Date: November 2009

DOUBLE ACTING ACTUATOR TORQUE (Nm.)

90°

DOUBLE ACTING TORQUE



Actuator	Type	Size	Torque in Nm Supply Pressure (bar)									
			2	3	3.5	4	4.5	5	5.5	6	6.5	7
ED	12	4.8	7.3	8.5	9.7	11.0	12.2	13.4	14.6	15.9	17.1	19.6
ED	25	9	13	16	18	20	23	25	27	29	32	36
ED	40	17	25	29	34	38	42	47	51	55	59	68
ED	65	25	38	45	51	58	64	71	77	84	90	104
ED	100	38	57	66	76	86	95	105	115	124	134	153
ED	150	60	91	106	122	137	153	168	183	199	214	245
ED	200	82	124	146	167	188	209	230	251	272	293	335
ED	350	143	216	253	290	326	363	400	436	473	510	583
ED	600	243	368	430	492	554	617	679	741	804	866	991
ED	950	363	549	642	735	828	921	1014	1107	1200	1293	1479
ED	1600	600	907	1061	1214	1368	1522	1676	1829	1983	2137	2444
PD	2500	958	1449	1694	1940	2186	2431	2677	2922	3168	3413	3904
PD	4000	1623	2456	2872	3289	3705	4121	4537	4954	5370	5786	6619

Note

- Emerson Process Management recommends that the valve manufacturer supply the maximum required torque values (Including any adjustments or suggested safety factors for valve service conditions or application).
Additionally, the valve manufacturer must identify at which position(s) and direction(s) of rotation (Counter Clock Wise or Clock Wise) these maximum requirements occur.
- If in doubt, or you require any assistance with sizing actuators, do not hesitate to contact your nearest Emerson's Valve Automation Division representative.
- Pressure on port "A" opens the actuator*
- The actuator is shown in closed position*

(* code A, data sheet 1.503)

EL-O-MATIC™

www.El-O-matic.com

Copyright © Emerson Process Management. The information in this document is subject to change without notice.

Updated data sheets can be obtained from our website www.El-O-matic.com or from your nearest Valve Automation Center **USA:** +1 813 319 0266 **Europe:** +31 74 256 10 10 **Asia-Pacific:** +65 6501 4600



EMERSON™
Process Management