

Subject to change without notice

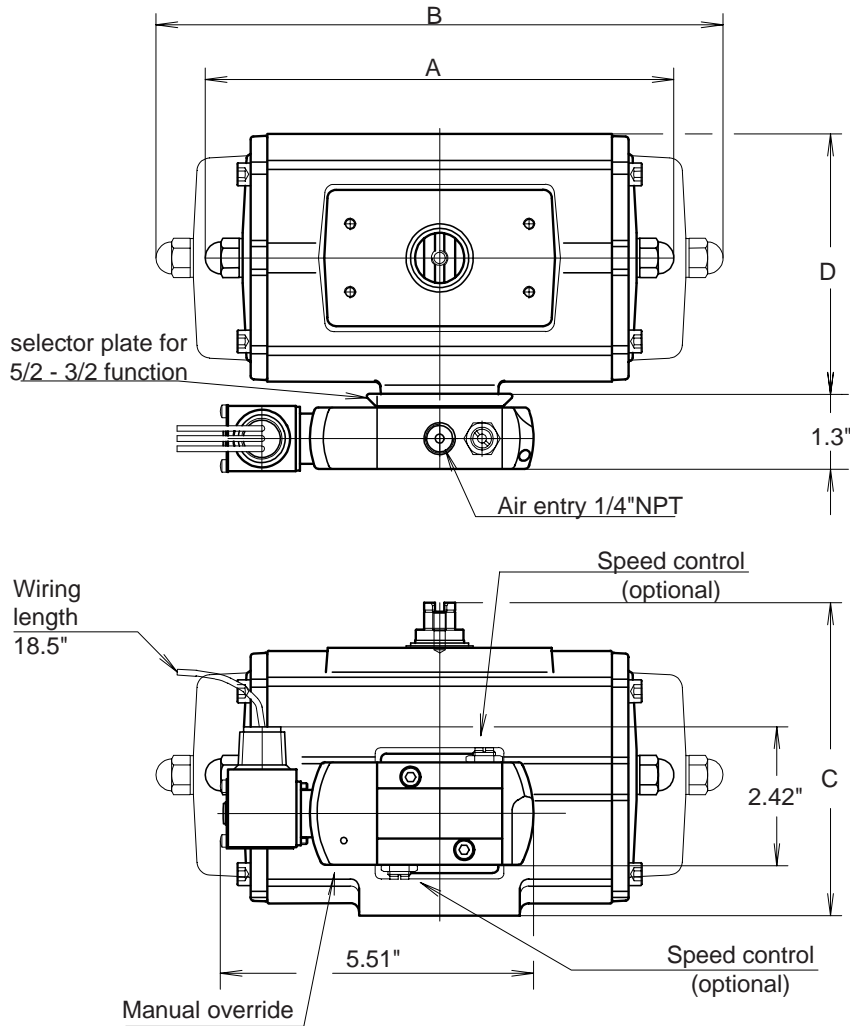
VALVE AUTOMATION SYSTEMS

www.elo-matic.com
EL-O-MATIC®

All rights reserved

Nr.: A 3.106.4

Date: Dec. '00



Description:

For general purpose solenoid control the Asco solenoid valve is fixed directly to the NAMUR interface on the side of the actuator (E12 requires adaptor plate). The valve is a universal type, (5/2 or 3/2) and can be used on double acting or spring return actuators by simply rotating the sealing plate.

The single solenoid control is continuously rated, and in the event of electrical failure the actuator returns to the clockwise (normally valve closed) position; by mechanical spring in case of single acting; and air in case of double acting versions.

The normally 1/4" ported valve has a high kv value, allowing fast operating times.

The assembly is waterproofed to NEMA4X. A local manual operation facility is provided as standard. Speed controllers can be fitted as an option.

General Specification:

Make	: Asco	Power	: AC 2.0W DC 2.5W
Series	: 551	Voltages	: 24V DC
Type	: 5/2-3/2		: 24V AC (50Hz)
Material housing	: Aluminum anodized		: 115V AC (50Hz)
endcaps	: Glass-filled polyamide		: 230V AC (50Hz)
option	: Stainless Steel		: Other voltages and
Air pressure	: 29 to 145 Psi		60Hz on request
Lubrication	: Not necessary	Air Entry	: 1/4" NPT
Temperature	: -13° to 140°F	Air flow, CV	: 0.7
	(optional -40°F)		

Waterproof

Code	WP
Part number	SVA-4 ⁽¹⁾
Electrical entry	1/2" NPT
Enclosure	NEMA 4X.
Class	-

Explosion proof

XP
SVA-7 ⁽¹⁾
1/2" NPT
NEMA 4X, 7 and 9.
Class I, groups A, B, C or D.
Class II, groups E, F, or G.
Certified FM, UL and CSA.

Options:

Description	Solenoid	Electrical Entry
Intrinsically Safe	SVA-IS ⁽¹⁾	1/2" NPT

Note.

- 1) Specify voltage.
- 2) Operating times are dependent on load.

Dim. in inches	Actuator type											
	E12	E25	E40	E65	E100	E200	E350	E600	E950	E1600	P2500	P4000
A PDA/EDA	4.06	6.26	7.09	7.83	8.70	11.14	12.01	15.24	16.69	20.31	14.88	19.76
B PSA/ESA	4.65	6.77	8.03	9.80	10.51	14.17	15.24	18.78	20.35	25.08	22.44	32.83
C	3.15	3.94	4.45	4.92	5.43	6.42	7.91	9.84	11.38	12.87	15.20	16.14
D	2.36	3.27	3.78	4.21	4.61	5.39	7.13	8.54	9.53	10.83	14.17	15.35
Operating times in sec. (at 80 psi. with average load)												
	0.3	0.4	0.4	0.5	0.5	0.8	1.1	2	3	4	5	9

EL-O-MATIC ACTUATORS WITH ASCO SOLENOID VALVES