

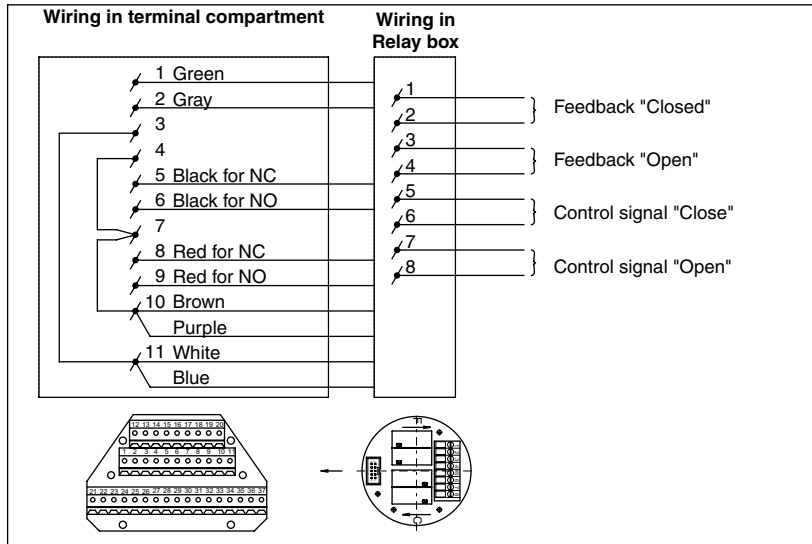
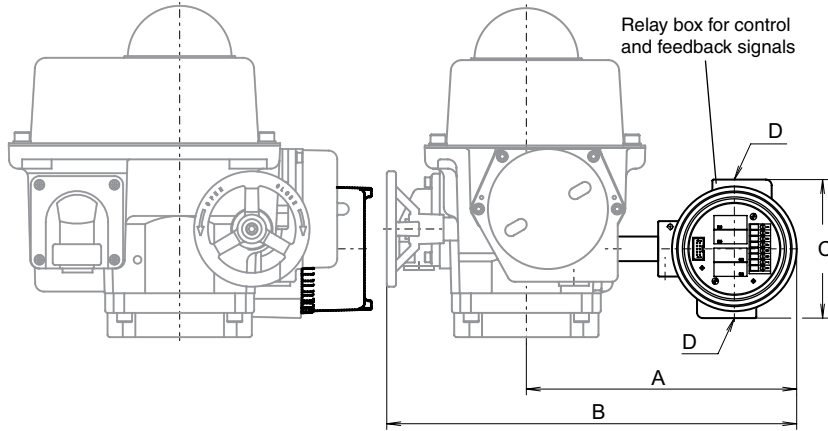
Subject to change without notice

VALVE AUTOMATION  
SYSTEMS

EL-O-MATIC  
WWW.EL-O-MATIC.COM

Nr.: A 5.310  
All rights reserved

Date:  
Dec. '08



**Description:**

This option provides two sets of relays for controlling and position indication of an ELQ electric actuator. These relays are suitable for high voltages or amperages, for instance 24VDC/5A, 48V/5A, 110V/2A or 220V/10A.

**Construction:**

The relays are mounted in a relay box on the side of the ELQ-actuator. The relay box is connected to the terminal compartment by a pipe connection.

Control and feedback signals from the remote control system can be connected to the terminals in this box. The wiring of the relay box can be connected to the terminal compartment for 24V power supply, control- and feedback signals.

**Specifications:**

- Relay type : Silver nickel contact
- Control and feedback : 24 VDC - 1200Ohm
- signal voltages : 48 VDC - 4170Ohm
- : 115 VAC - 50/60Hz
- : 230 VAC - 50/60Hz

- Current max. : 10A
- Electrical entry : 2x 1/2"NPT (optional M20x1.5)
- Finish : Two component polyurethane
- Enclosure : IP67
- Temperature : -40°F to +158°F.
- Housing : Aluminium alloy
- Cover : Aluminium alloy

**Explosion proof :**

- FM : Class 1, Div. 1, Groups C/D, NEMA 4
- Certificate : FM Approval report J.I. 3D6A1.AE

**Identification:**

- Factory option : Add "+ Q-RB-WP" or "+ Q-RB-XP" and voltage to the basic actuator size.  
e.g. ELQ100 + Q-RB-WP / 115 VAC
- Kit option : Actuator size, electrical entry dimension and voltage are added to: "Kit Q-RB-WP" or "Kit Q-RB-XP".  
e.g. Kit Q-RB-WP / ELQ100 / 1/2"NPT / 115 VAC  
: **Note:** Explosion Proof version only as factory option available.

**Options:**

Other voltages, Q-XS2 for extra feedback signals

| Dim in mm. | ELQ100     | ELQ200     | ELQ300     | ELQ500     | ELQ800     |
|------------|------------|------------|------------|------------|------------|
| A          | 205        | 205        | 205        | 258        | 258        |
| B          | 323        | 361        | 361        | 477        | 514        |
| C          | 120        | 120        | 120        | 120        | 120        |
| D          | 2x M20x1.5 | 2x M20x1.5 | 2x M20x1.5 | 2x M20x1.5 | 2x M20x1.5 |

ELQ ELECTRIC ACTUATOR WITH RELAY BOX

Q-RB