

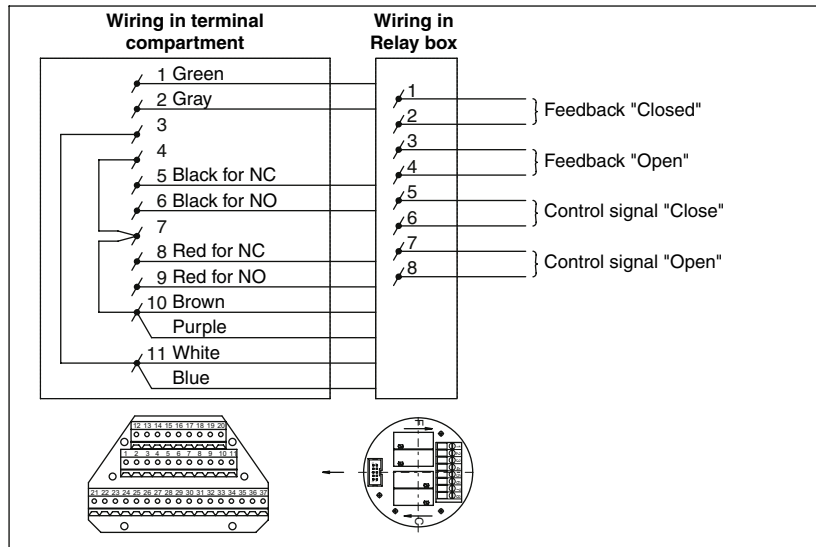
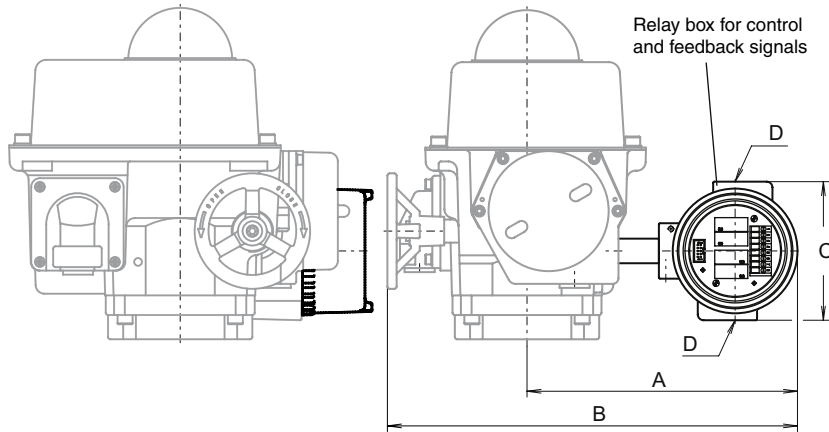
Subject to change without notice

VALVE AUTOMATION SYSTEMS

WWW.ELQ-MATIC.COM

Nr.:  
5.310  
All rights reserved

Date:  
Dec. '08



**Description:**

This option provides two sets of relays for controlling and position indication of an ELQ electric actuator. These relays are suitable for high voltages or amperages, for instance 24VDC/5A, 48V/5A, 110V/2A or 220V/10A.

**Construction:**

The relays are mounted in a relay box on the side of the ELQ-actuator. The relay box is connected to the terminal compartment by a pipe connection.

Control and feedback signals from the remote control system can be connected to the terminals in this box. The wiring of the relay box can be connected to the terminal compartment for 24V power supply, control- and feedback signals.

**Specifications:**

Relay type : Silver nickel contact  
 Control and feedback signal voltages : 24 VDC - 1200Ohm  
 : 48 VDC - 4170Ohm  
 : 115 VAC - 50/60Hz  
 : 230 VAC - 50/60Hz

Current max. : 10A  
 Electrical entry : 2x M20x1.5, option 1/2"NPT  
 Finish : Two component polyurethane coating  
 Temperature : -20° to +70° C.  
 Enclosure : IP67 (IEC 529)  
 Housing : Aluminium alloy  
 Cover : Aluminium alloy

**Explosion proof :**

- FM : Class 1, Div. 1, Groups C/D, NEMA 4  
 Certificate : Factory Mutual Approval report J.I. 3D6A1.AE

**Identification:**

Factory option : Add "+ Q-RB-WP" or "+ Q-RB-XP" and voltage to the basic actuator size, e.g. ELQ100 + Q-RB-WP / 230 VAC  
 Kit option : Actuator size, electrical entry dimension and voltage are added to: "Kit Q-RB-WP" e.g. Kit Q-RB-WP / ELQ100 / 1/2"NPT / 115 VAC  
 : **Note:** Explosion Proof version only as factory option available.

**Options:**

Other voltages, Q-XS2 for extra feedback signals

| Dim in mm. | ELQ100     | ELQ200     | ELQ300     | ELQ500     | ELQ800     |
|------------|------------|------------|------------|------------|------------|
| A          | 205        | 205        | 205        | 258        | 258        |
| B          | 323        | 361        | 361        | 477        | 514        |
| C          | 120        | 120        | 120        | 120        | 120        |
| D          | 2x M20x1.5 | 2x M20x1.5 | 2x M20x1.5 | 2x M20x1.5 | 2x M20x1.5 |

ELQ ELECTRIC ACTUATOR WITH RELAY BOX

Q-RB