

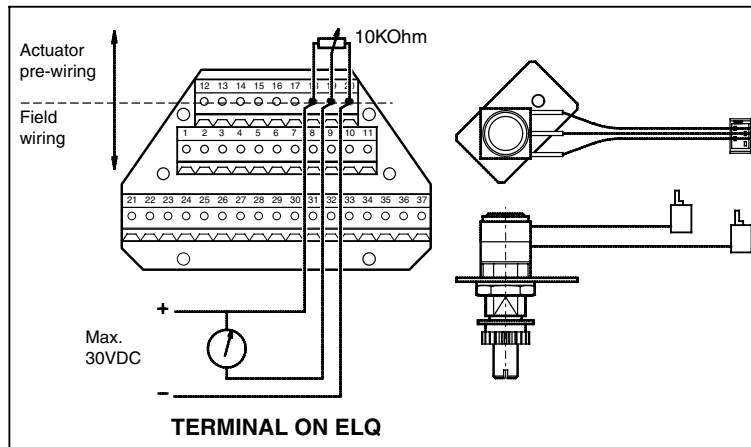
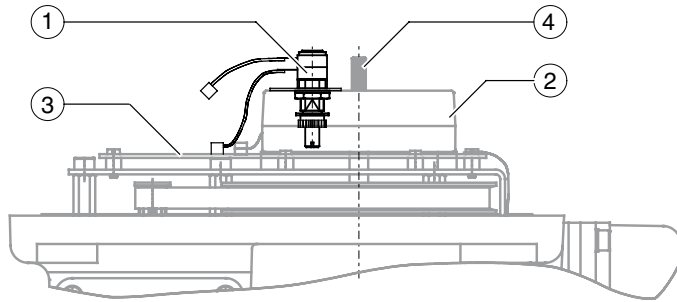
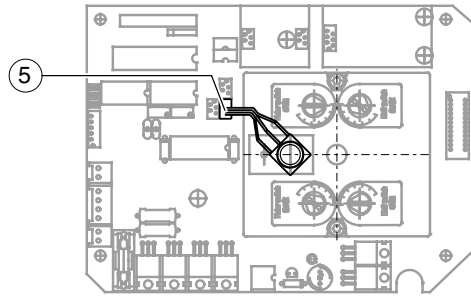
Data sheet

Sheet No.: 5.302 Rev. A

Date: November 2009

ELQ ACTUATOR WITH POTENTIOMETER

Q-POT



Description

This ELQ electric actuator option provides a varying indication of the actuator and valve position by means of an electrical potentiometer. When connected as shown a voltage signal will indicate an analog position.

Construction

The potentiometer (1) is mounted in the limit switch assembly (2) on top of the mainboard (3). The potentiometer is driven by the indicator shaft (4) and an intermediate gear in the limit switch assembly. The potentiometer connector (5) is plugged in the mainboard. The mainboard is prewired to the terminal strip in the terminal compartment.

Specifications

Voltage	: Up to 30VDC
Current	: 15 mA max.
Power max.	: 0.5 W
Temperature	: -20° to +70°C
Resistance	: 10KΩ
Type	: PA11
Linearity	: 1 %
Mechanical rotation	: 300° ±5°
Electrical rotation	: 270° ±10°

Identification

Factory option	: Add "+ Q-POT" to the basic actuator size
	: eg. ELQ100 + Q-POT
Kit option	: Actuator size is added to: "Kit Q-POT"
	: eg. Kit Q-POT / ELQ100

Note

1 When a combination of two options is needed, both of which need a feedback potentiometer, the second plug from the double potentiometer can be used.

EL-O-MATIC

www.El-O-matic.com

Copyright © Emerson Process Management. The information in this document is subject to change without notice.

Updated data sheets can be obtained from our website www.El-O-matic.com or from your nearest Valve Automation Center **USA**: +1 813 319 0266 **Europe**: +31 74 256 10 10 **Asia-Pacific**: +65 6501 4600



EMERSON
Process Management