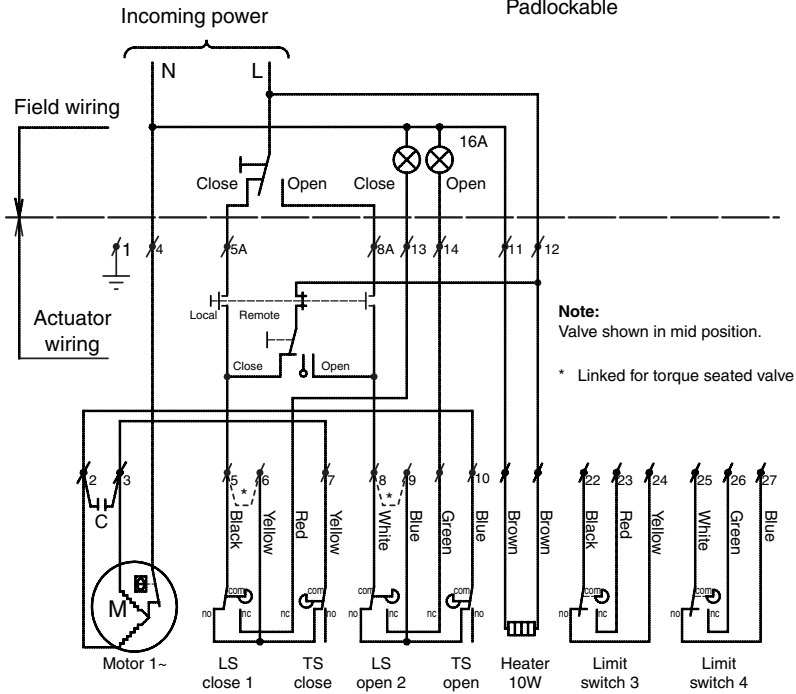
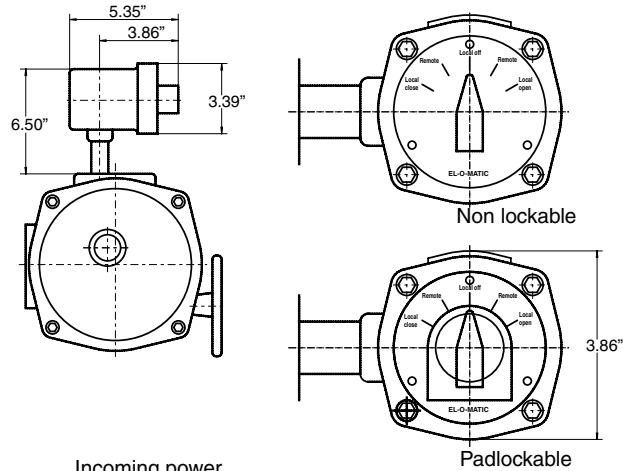


Data sheet

Sheet No.: A5.207.1 Rev.A
Date: November 2009

EL EX-PROOF ACTUATOR WITH LOCAL CONTROL STATION (FLAME-PROOF EEx d) LC-Ex



Description

This electric actuator variation for use on an explosion proof actuator has the addition of a local control box, with a single rotary 5 position switch with 5 SPST contacts.

The switch selects between: "LOCAL OPEN", "REMOTE", "OFF", "REMOTE" and "LOCAL CLOSE".

When in "LOCAL OPEN" or "LOCAL CLOSE" position the actuator can not be operated remotely.

This local control station is certified flame proof according to EN50014 and EN50018 and bears ATEX marking II 2 G EExd IIB T4.

Construction

The control station is located on the side of an ATEX II 2 G EExd IIB T4 flame proof electric actuator and all the connection wiring is contained internally.

Specification

Switches	Type	: Santon
	Model	: H1 P-EE1
	Voltage	: Up to 600V
	Current	: 20A max. (resistive load)
	Temperature	: -13°F to +158°C

Housing

Material	: Aluminum
Finish	: Two component polyurethane

Flame proof

Marking	: II 2 G EEx d IIB T4, suitable for ATEX Zones 1, 2 (gas)
Certificate nr.	: KEMA 03ATEX2156X
Actuator sizes	: EL 55, EL100, EL150, EL200, EL350, EL500, EL800

Identification

Factory Option	: Add "+ LC-Ex" (non lockable or "+LCL-Ex" (padlockable) to the basic actuator size eg. EL100 120/60 + LC-Ex
----------------	--

Note

- 1 This option is not supplied as a kit option, only as a factory option
- 2 Both local/remote and close/stop/open switches are combined into one switch
- 3 Wiring diagram for EL100-EL800 120V/60Hz + LC-Ex

EL-O-MATIC

www.El-O-matic.com

Copyright © Emerson Process Management. The information in this document is subject to change without notice.

Updated data sheets can be obtained from our website www.El-O-matic.com or from your nearest Valve Automation Center **USA**: +1 813 319 0266 **Europe**: +31 74 256 10 10 **Asia-Pacific**: +65 6501 4600



EMERSON
Process Management