

BETTIS

TorqPlus™
Electric Valve
Actuators
and Controls


EMERSON™
Process Management

EMERSON. CONSIDER IT SOLVED.™



Torque 100 IN/LB – 350 IN/LB

The Engineered Solution

Bettis TorqPlus quality line of electric actuators are designed for quarter turn applications – ball, butterfly and plug valves; dampers; vents and similar uses. TorqPlus actuators are manufactured in a wide range of **guaranteed** output torques and operating speeds to fit your specific requirements.

The Model EM-100 actuators offer compactness with a rugged design to develop maximum torque in a small package.



STANDARD FEATURES

- Two year warranty
- Permanently lubricated gear train
- Stainless steel output drive sleeve
- Operating temperatures:
 - 40°F with heater activated, to +140° F
- Unidirectional motor with thermal overload protection and mechanical brake for 100 in/lb model

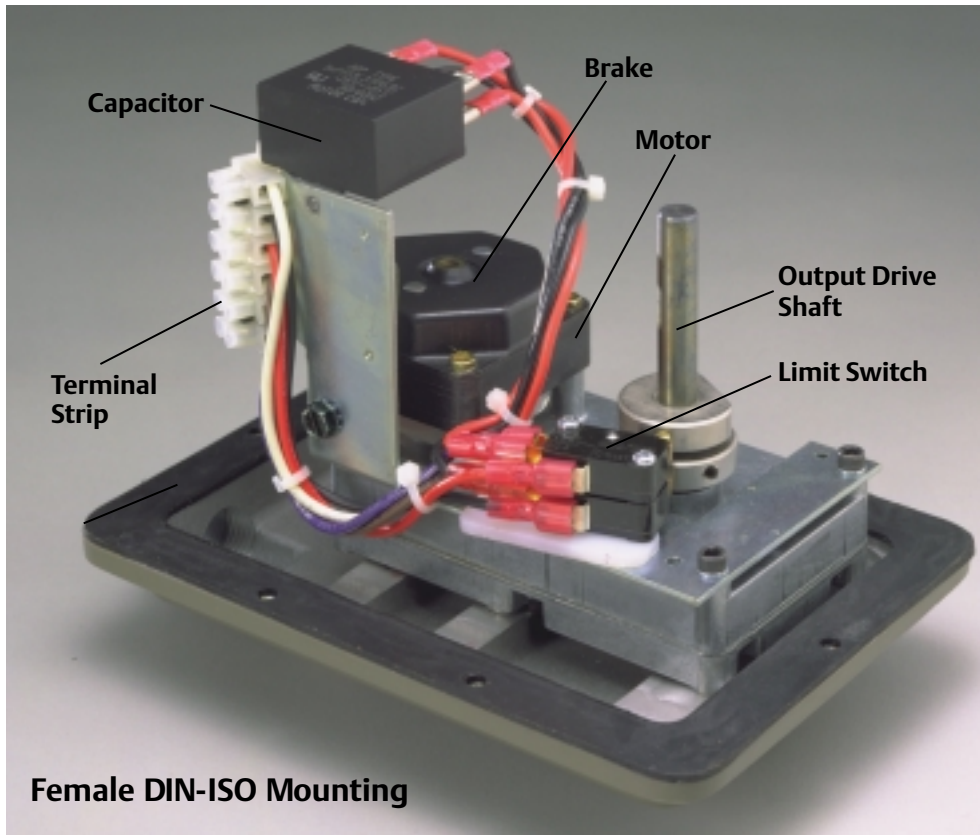
- Single phase capacitor run motor with thermal overload protection and internal motor brake for 250 in/lb and 350 in/lb models
- Enclosure certified to weatherproof C.S.A. specifications that conform to Nema type 1, 2, 3, 3R, 4, 4X, & 12
- Two single pole double throw travel-stop limit switches with adjustable cams
- Female DIN/ISO output drive sleeve and DIN/ISO bolt pattern
- Operational in any mounting orientation
- Weight: 5 lbs
- Single 1/2-inch NPT conduit entrance

OPTIONAL FEATURES

- Maximum of two additional single pole double throw auxiliary limit switches
- Heater and thermostat
- Canadian Standards Association general purpose for electrical certification available under file #LR90062
- Standard 1KΩ potentiometer. Other ranges provided upon request.
- Relay control
- Electronic proportional positioner for 4-20 mA, 1-5 VDC, or 0-10 VDC control input and 4-20mA output signal
- Optional voltages
 - 230 VAC 50/60 Hz single phase
 - 12/24 VDC
 - 24 VAC



Torque 100 IN/LB – 350 IN/LB



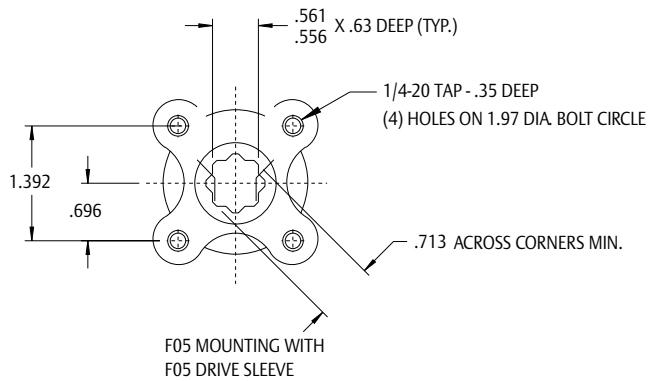
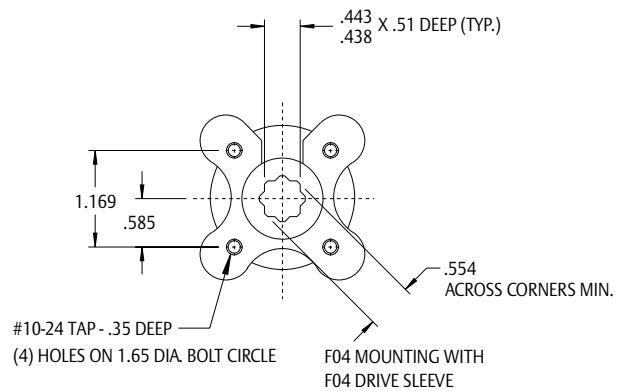
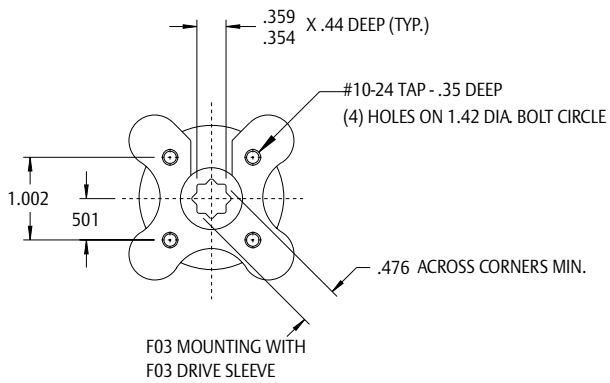
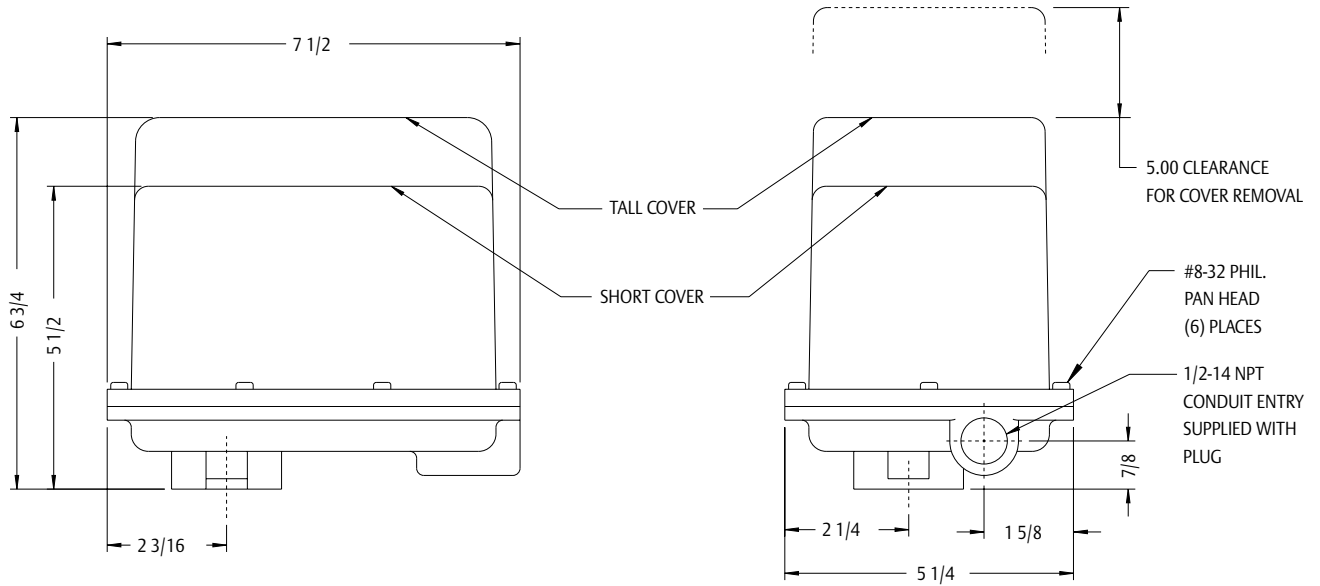
Female DIN-ISO Mounting

MODEL EM-100 SERIES								
TORQUE		SPEED 90°	LOCKED ROTOR AMP				MOTOR DUTY CYCLE @ 75°F	
IN/LB	NM		115VAC	220VAC	12VDC	24VDC	AC	DC
100	11	2 SEC	1.30	CF*	N/A	N/A	30%	N/A
250	28	10 SEC	0.70	CF*	.70	1.40	30%	100%
350	39	13 SEC	0.70	CF*	N/A	N/A	30%	N/A

* Consult factory for 230VAC locked rotor current.

Model #	Mounting Bolt Circle	Drive Sleeve
133	F03	F03
144	F04	F04
155	F05	F05

Bettis Electric
 2500 Park Avenue West
 Mansfield, OH 44906 U.S.A.
 T 419-529-4296
 F419-529-4484
 Website: www.EmersonProcess.com
 E-Mail: Info.Bettis@EmersonProcess.com



Bettis Electric

2500 Park Avenue West
Mansfield, OH 44906 U.S.A.
T 419-529-4296
F 419-529-4484
Website: www.EmersonProcess.com
E-Mail: Info.Bettis@EmersonProcess.com

Bettis USA

P.O. Box 508
Waller, TX 77484 U.S.A.
T 281-463-5100
F 281-463-5103
Website: www.EmersonProcess.com
E-mail: Info.Bettis@EmersonProcess.com

Bettis UK Ltd.

3 Furze Court
114 Wickham Rd.
Fareham, Hampshire PO 16 7SH
T 44-1329-848-900
F 44-1329-848-901

Bettis Canada Ltd.

4112-91 A Street
Edmonton, Alberta T6E 5V2
Canada
T 780-450-3600
F 780-450-1400

Bettis France:

25, Rue de Villeneuve
Silic – BP 40434
94583 RUNGIS, France
T 331-49-797300
F 331-49-797399

Bettis Int'l Sales Office:

Calgary, Canada
Rheinberg, Germany
New Bombay, India
Singapore

Important: Due to Emerson's continuing commitment to engineered product advancement, data presented herein is subject to change.

Certified dimensional drawings and wiring diagrams are available on request. Consult factory with model designation and serial number.

Bettis Bulletin # 10.10 Rev: 02/02

© 2002 Emerson. All rights reserved. 5M/02/02

BETTIS

EMERSON
Process Management