

Data sheet

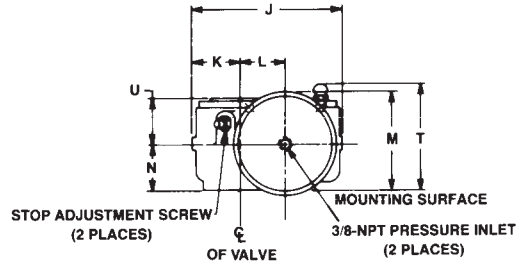
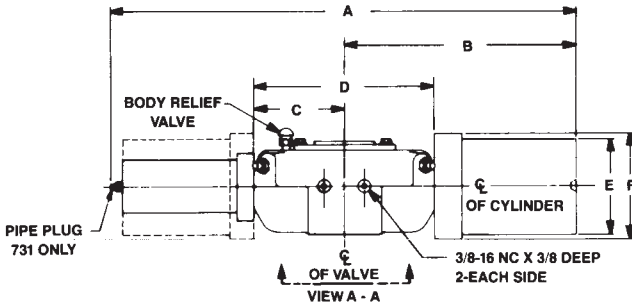
Sheet No.: HPI 3.01 RevA

Date: September 2009

HD-Series

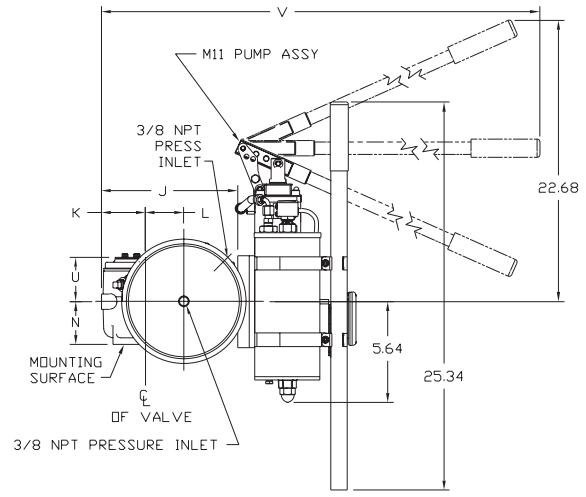
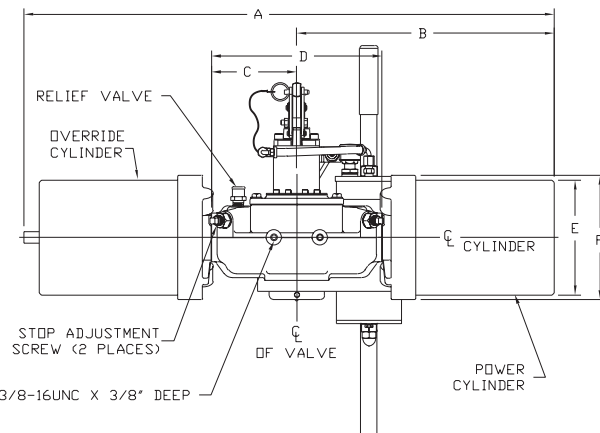
Dimensions – (Pneumatic) In.

Double-Acting Actuators



Actuator Model	A	B	C	D	E	F	G	H	J	K	L	M	N	P (±.002)	Q	R	S	T	U
521	33.19	18.13			5.38	5.97						5.81							
721	33.53	18.47	5.56	11.13	7.50	8.13	3.19	1.59	8.91	2.88	2.50		2.81	2.504	.500-13	.75	5.63	7.63	2.88
722	36.94															6.88			
731	39.63	22.31	6.81	13.63			4.06	2.03	11.18	3.63	3.38	7.63	3.56	3.250	.750-10	1.00	7.25	8.38	3.75
732	44.63																		

Double-Acting with M11 Hydraulic Override



Actuator Model	A	B	C	D	E	F	G	H	J	K	L	N	P	Q	R	S	U	V
521-M11	36.25	16.69	5.56	11.12	5.38	5.97	3.19	1.59	8.91	2.88	2.50	2.81	2.504	.500-13 UNC	.75	5.62	2.88	39.28
721-M11	36.94	16.81			7.50	8.12												
731-M11	44.62	20.62	6.81	13.62			4.06	2.03	11.18	3.62	3.38	3.56	3.250	.750-10 UNC	1.00	7.25	3.75	42.18

Note: Not Certified dimensional drawings. Such drawings available on request.
 Contact factory with correct model designation and serial number.
 All dimensions are expressed in inches.



www.Bettis.com

Copyright © Emerson Process Management. The information in this document is subject to change without notice.
 Updated data sheets can be obtained from our website www.bettis.com or from your nearest Valve Automation Center.
 USA: +1 281 727 5300 Europe: +31 74 256 1010 Asia-Pacific: +65 6501 4600



Data sheet

Sheet No.: HPI 3.02 RevA

Date: September 2009

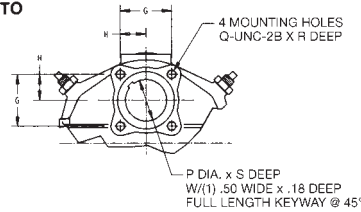
HD-Series

Dimensions – (Pneumatic) In.

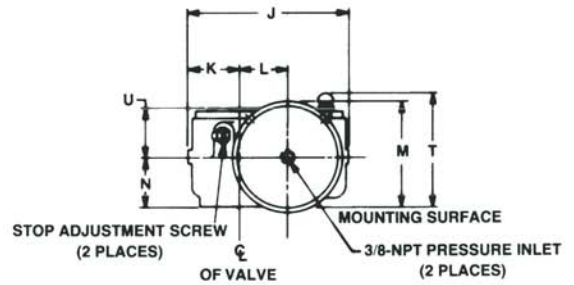
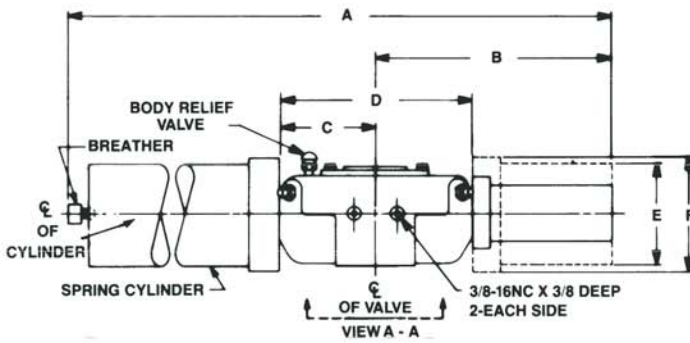
Mounting Dimensions (View A-A) For All HD-Series Actuators

(Dimensions G, H, P, Q, R and S)

NOTE: ACTUATOR SHOWN ROTATED TO THE FULL CLOCKWISE POSITION.



Spring-Return



Actuator Model	Spring Size							B	C	D	E	F	G
	40	60	80	100	120	150	200						
521-SR	44.31	44.31	44.31	50.09	50.09	50.09	53.28	15.06	5.56	11.13	5.38	5.97	3.19
721-SR	45.44	45.44	45.44	45.44	50.13	50.13	—				7.50	8.13	
722-SR	51.06	51.06	55.06	55.06	—	—	—				—	—	
732-SR	24.88	60.69	66.06	66.06	70.19	70.19	—	22.31	6.81	13.63	—	—	4.06

Actuator Model	H	J	K	L	M	N	P (diam.)	Q THD.	R	S	T	U
521-SR	1.59	8.91	2.88	2.50	5.81	2.81	2.504	.500-13	.75	5.63	7.63	2.88
721-SR					6.88							
722-SR					—							
732-SR	2.03	11.18	3.63	3.38	7.63	3.28	3.250	.750-10	1.00	7.25	8.38	3.75

Note: Not Certified dimensional drawings. Such drawings available on request.
 Contact factory with correct model designation and serial number.
 All dimensions are expressed in inches.



www.Bettis.com

Copyright © Emerson Process Management. The information in this document is subject to change without notice.
 Updated data sheets can be obtained from our website www.bettis.com or from your nearest Valve Automation Center.
 USA: +1 281 727 5300 Europe: +31 74 256 1010 Asia-Pacific: +65 6501 4600



Data sheet

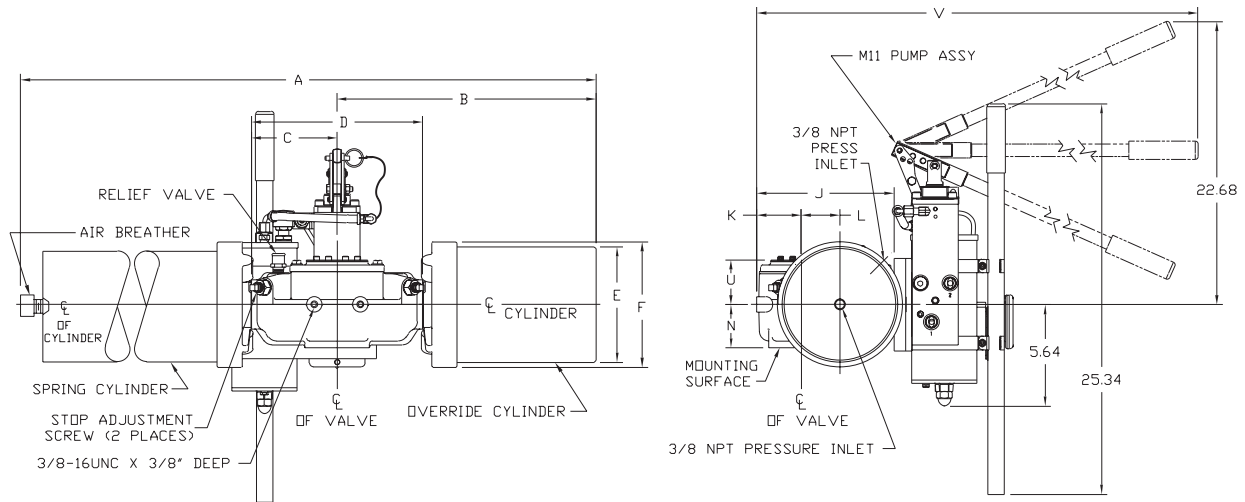
Sheet No.: HPI 3.03 RevA

Date: September 2009

HD-Series

Dimensions – (Pneumatic) In.

Spring-Return Actuators CBA XXX-SRX



Actuator Model	Spring Size							B	C	D	E	F	G
	40	60	80	100	120	150	200						
	Dimension A												
521-SR-M11	47.38	47.38	47.38	53.16	53.16	53.16	56.34	16.69	5.56	11.12	5.38	5.97	3.19
721-SR-M11	48.84	48.84	48.84	48.84	53.53	53.53	—	16.81			7.50	8.12	
731-SR-M11	60.69	60.69	66.06	66.06	70.19	70.19	—	20.62	6.81	13.62			4.06

Actuator Model	H	J	K	L	N	P	Q THD.	R	S	U	V
521-SR-M11	1.59	8.91	2.88	2.50	2.81	2.504	.500-13 UNC	.75	5.62	2.88	39.28
721-SR-M11											
731-SR-M11	2.03	11.18	3.62	3.38	3.56	3.250	.750-10 UNC	1.00	7.25	3.75	42.18

Note: Not Certified dimensional drawings. Such drawings available on request.
Contact factory with correct model designation and serial number.
All dimensions are expressed in inches.

BETTIS[®]

www.Bettis.com

Copyright © Emerson Process Management. The information in this document is subject to change without notice.
Updated data sheets can be obtained from our website www.bettis.com or from your nearest Valve Automation Center.
USA: +1 281 727 5300 Europe: +31 74 256 1010 Asia-Pacific: +65 6501 4600


EMERSON[™]
Process Management