

**Data sheet**

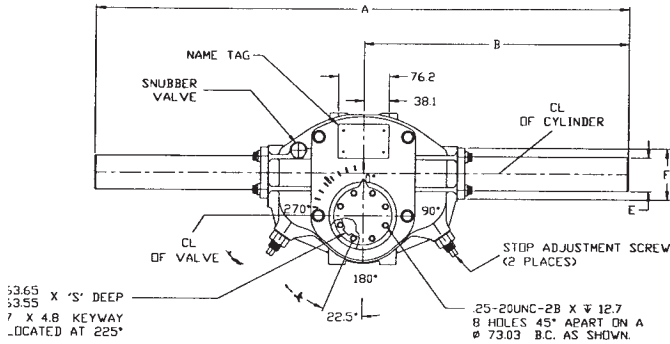
Sheet No.: HHM 3.01 RevA

Date: September 2009

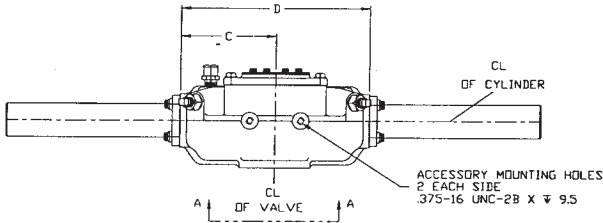
**HD-Series**

# Dimensions – (Hydraulic) mm.

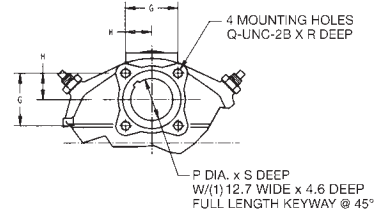
## Double-Acting Actuators



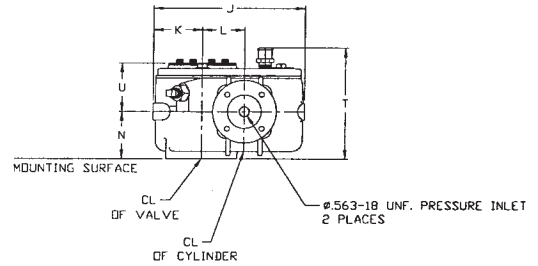
33.65 X 'S' DEEP  
 33.55  
 7 X 4.8 KEYWAY  
 LOCATED AT 225°



**NOTE: ACTUATOR SHOWN ROTATED TO THE FULL CLOCKWISE POSITION.**



**VIEW A-A  
 MOUNTING DIMENSIONS**



Actuator Model	A	B	C	D	E	F	G	H	J	K	L	M	N	P	Q	R	S	T	U
H251.5	800.1	400.1	141.2	282.4	50.8	95.3	80.8	40.4	226.3	72.9	63.5	N/A	71.4	N/A	1/2-13	19.1	142.7	180.8	76.0

Note: Not Certified dimensional drawings. Such drawings available on request.  
 Contact factory with correct model designation and serial number.  
 All dimensions are expressed in millimeters.



www.Bettis.com

Copyright © Emerson Process Management. The information in this document is subject to change without notice.  
 Updated data sheets can be obtained from our website [www.bettis.com](http://www.bettis.com) or from your nearest Valve Automation Center.  
 USA: +1 281 727 5300 Europe: +31 74 256 1010 Asia-Pacific: +65 6501 4600



**Data sheet**

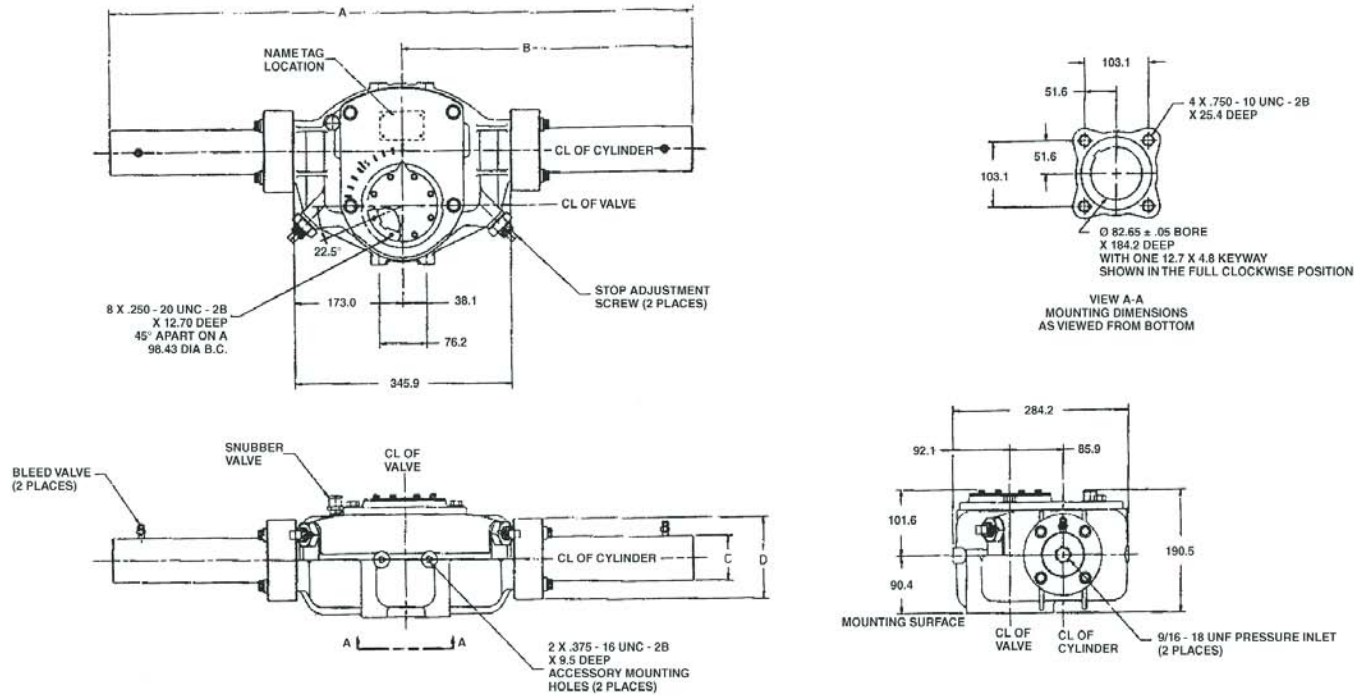
Sheet No.: HHM 3.02 RevA

Date: September 2009

**HD-Series**

# Dimensions – (Hydraulic) mm.

## Double-Acting Actuators



Actuator Model	A	B	C	D
H352.1	936.8	468.4	69.85	127.0

Note: Not Certified dimensional drawings. Such drawings available on request.  
 Contact factory with correct model designation and serial number.  
 All dimensions are expressed in millimeters.



www.Bettis.com

Copyright © Emerson Process Management. The information in this document is subject to change without notice.  
 Updated data sheets can be obtained from our website [www.bettis.com](http://www.bettis.com) or from your nearest Valve Automation Center.  
 USA: +1 281 727 5300 Europe: +31 74 256 1010 Asia-Pacific: +65 6501 4600



**Data sheet**

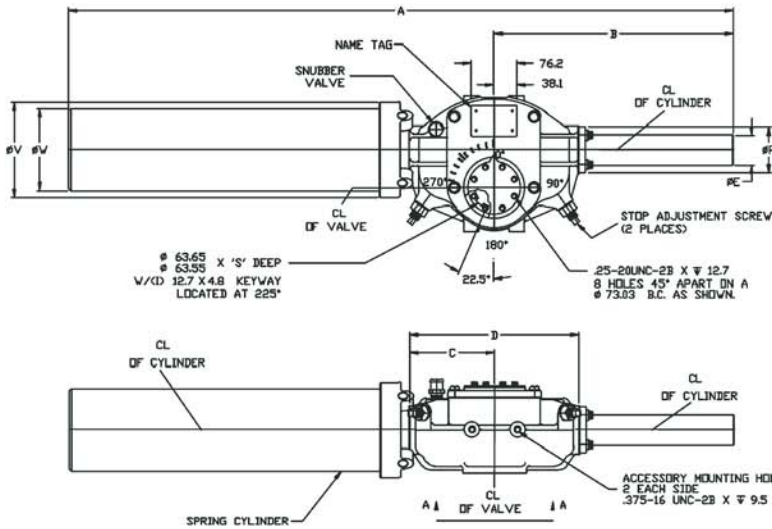
Sheet No.: HHM 3.03 RevA

Date: September 2009

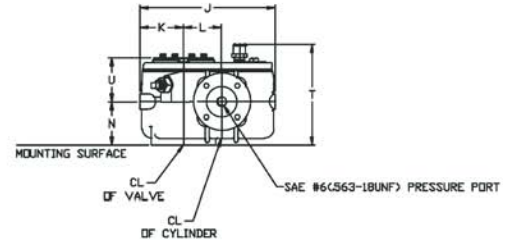
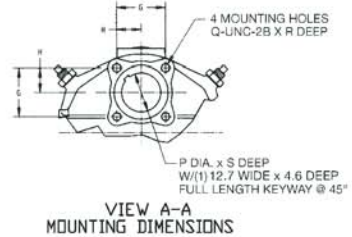
**HD-Series**

# Dimensions – (Hydraulic) mm.

## Spring-Return Actuators



**NOTE: ACTUATOR SHOWN ROTATED TO THE FULL CLOCKWISE POSITION.**



Actuator Model	A	B	C	D	E	F	G	H	J	K	L	M	N	Q	R	S	T	U	V	W	
HD251.5-SR 560	1109.7																				
HD251.5-SR 5150	1256.5																				
HD251-SR 5100		400.1	141.2	282.4	50.8	95.3	80.8	40.4	226.3	72.9	63.5	N.A.	71.4	1/2-13	19.1	142.7	180.8	76.0	150.9	136.4	
HD251-SR 5125	1109.7																				
HD251-SR 580																					
HD251-SR 540																					
HD251-SR 560																					

Note: Not Certified dimensional drawings. Such drawings available on request.  
 Contact factory with correct model designation and serial number.  
 All dimensions are expressed in millimeters.



www.Bettis.com

Copyright © Emerson Process Management. The information in this document is subject to change without notice.  
 Updated data sheets can be obtained from our website [www.bettis.com](http://www.bettis.com) or from your nearest Valve Automation Center.  
**USA: +1 281 727 5300 Europe: +31 74 256 1010 Asia-Pacific: +65 6501 4600**



**Data sheet**

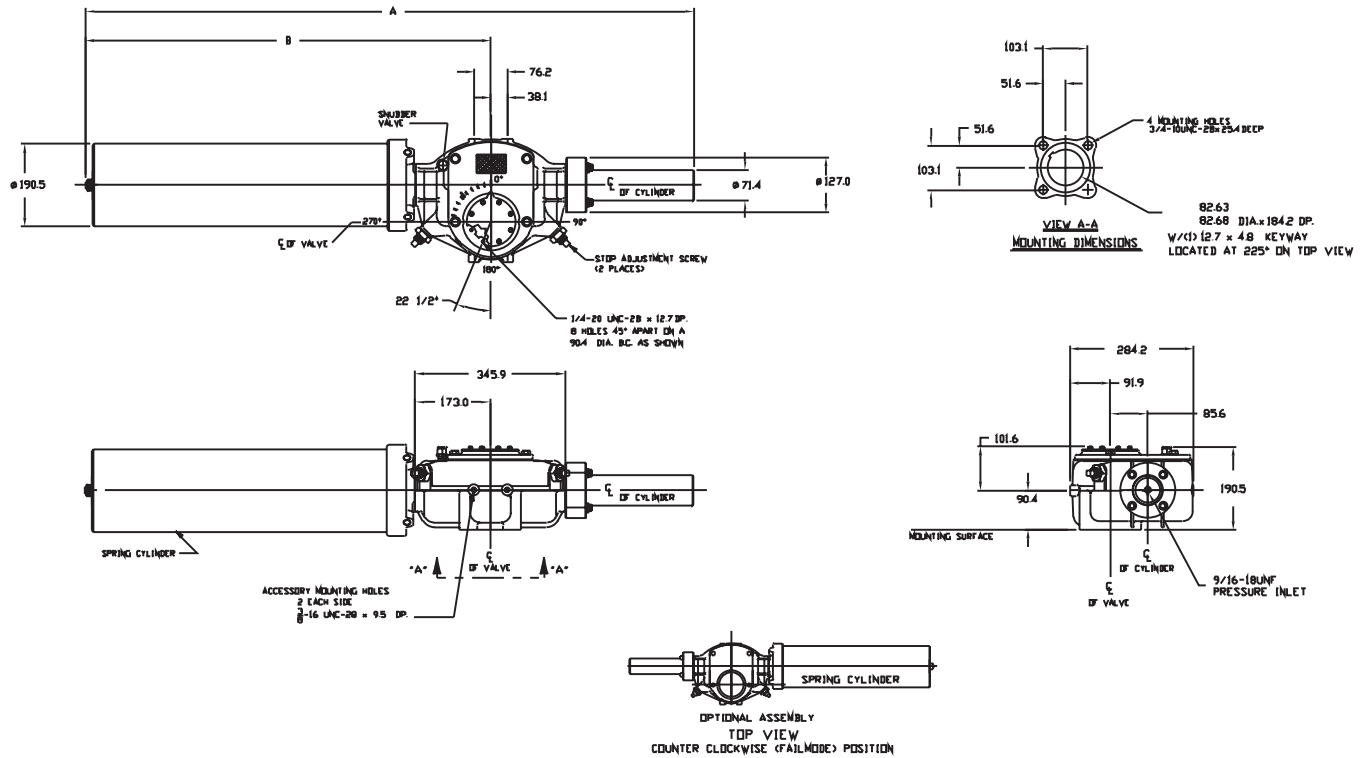
Sheet No.: HHM 3.04 RevA

Date: September 2009

**HD-Series**

# Dimensions – (Hydraulic) mm.

## Spring-Return Actuators



Actuator Model	A	B
H352.1-SR 740/760	1520.7	962.0
H352.1-SR 780/7100	1520.7	962.0
H352.1-SR 7125/7150	1657.4	1098.6

Note: Not Certified dimensional drawings. Such drawings available on request.  
 Contact factory with correct model designation and serial number.  
 All dimensions are expressed in millimeters.



www.Bettis.com

Copyright © Emerson Process Management. The information in this document is subject to change without notice.  
 Updated data sheets can be obtained from our website [www.bettis.com](http://www.bettis.com) or from your nearest Valve Automation Center.  
 USA: +1 281 727 5300 Europe: +31 74 256 1010 Asia-Pacific: +65 6501 4600

