

**Data sheet**

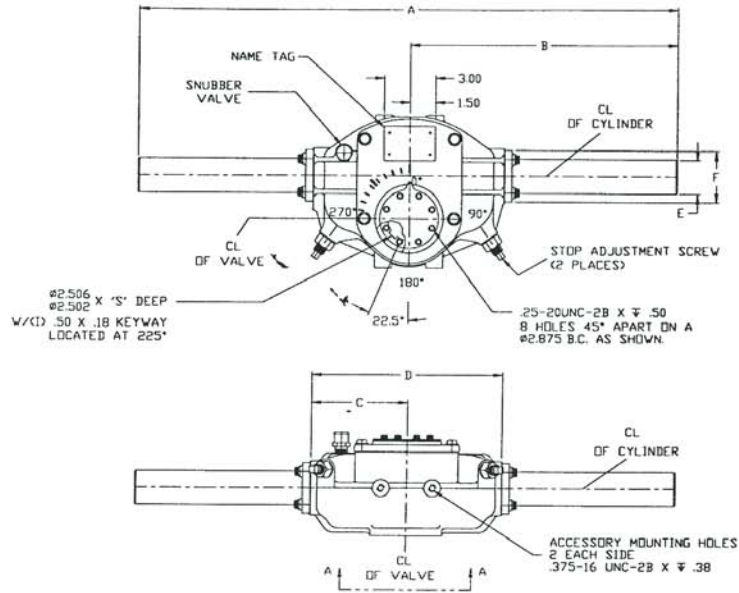
Sheet No.: HHI 3.01 RevA

Date: September 2009

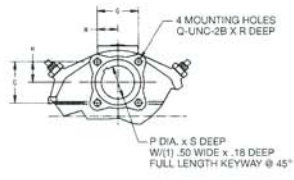
**HD-Series**

# Dimensions – (Hydraulic) In.

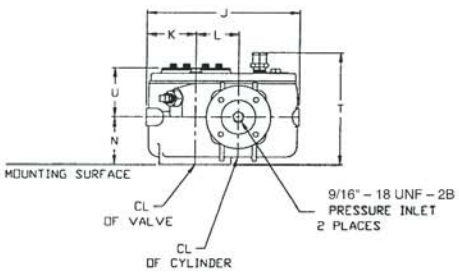
## Double-Acting Actuators



**NOTE: ACTUATOR SHOWN ROTATED TO THE FULL CLOCKWISE POSITION.**



**VIEW A-A MOUNTING DIMENSIONS**



Actuator Model	A	B	C	D	E	F	G	H	J	K	L	M	N	P	Q	R	S	T	U
H251.5	31.50	15.75	5.56	11.12	2.00	3.75	3.18	1.59	8.91	2.87	2.50	N/A	2.81	N/A	1/2-13	.75	5.62	7.12	3.00

Note: Not Certified dimensional drawings. Such drawings available on request.  
 Contact factory with correct model designation and serial number.  
 All dimensions are expressed in inches.



www.Bettis.com

Copyright © Emerson Process Management. The information in this document is subject to change without notice.  
 Updated data sheets can be obtained from our website [www.bettis.com](http://www.bettis.com) or from your nearest Valve Automation Center.  
 USA: +1 281 727 5300 Europe: +31 74 256 1010 Asia-Pacific: +65 6501 4600



# Data sheet

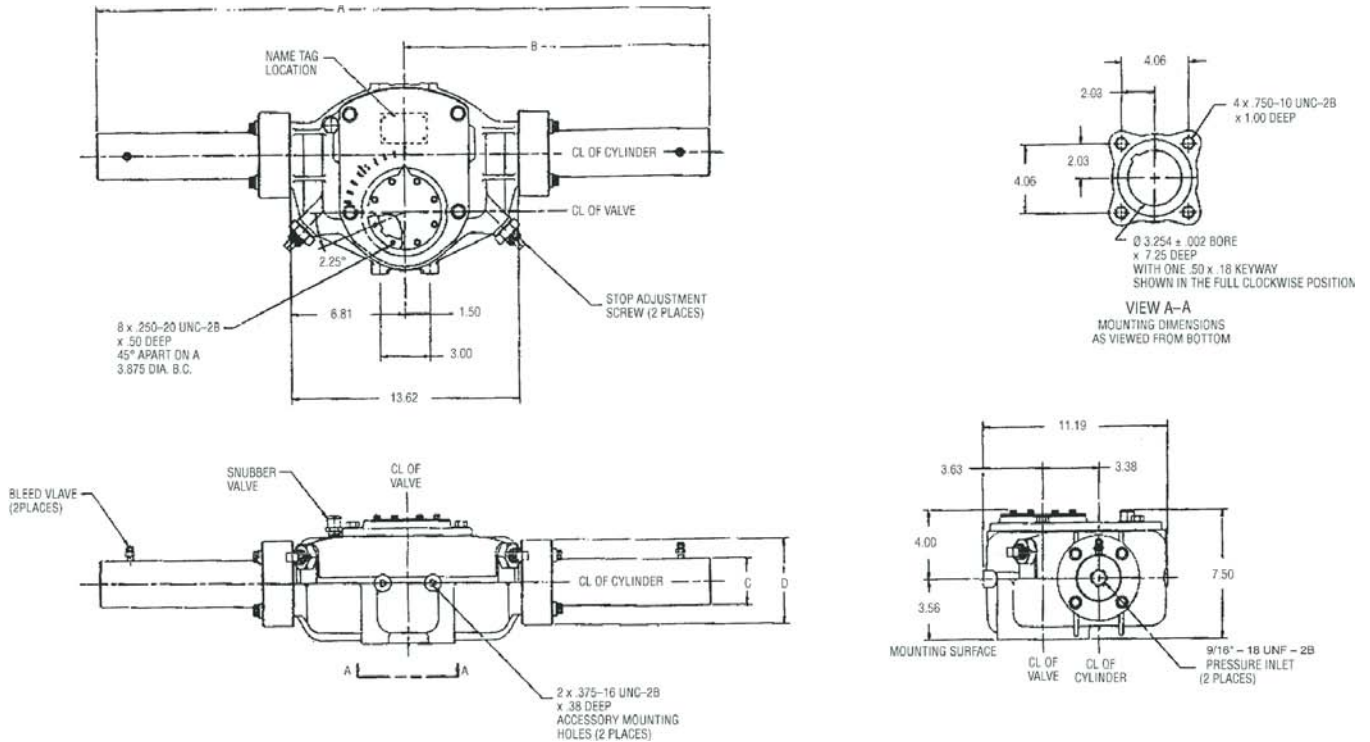
Sheet No.: HHI 3.02 RevA

Date: September 2009

HD-Series

## Dimensions – (Hydraulic) In.

### Double-Acting Actuators



Actuator Model	A	B	C	D
H352.1	36.88	18.44	2.75	5.00

Note: Not Certified dimensional drawings. Such drawings available on request.  
 Contact factory with correct model designation and serial number.  
 All dimensions are expressed in inches.



www.Bettis.com

Copyright © Emerson Process Management. The information in this document is subject to change without notice.  
 Updated data sheets can be obtained from our website [www.bettis.com](http://www.bettis.com) or from your nearest Valve Automation Center.  
 USA: +1 281 727 5300 Europe: +31 74 256 1010 Asia-Pacific: +65 6501 4600



**Data sheet**

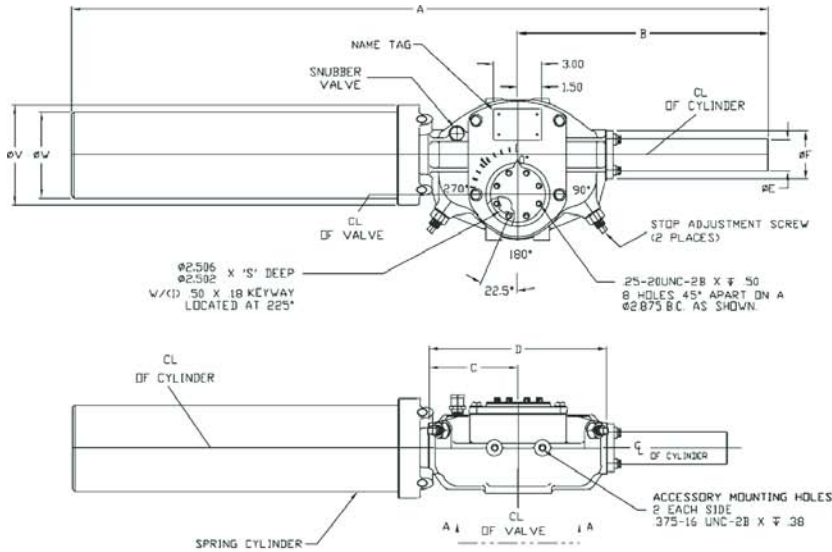
Sheet No.: HHI 3.03 RevA

Date: September 2009

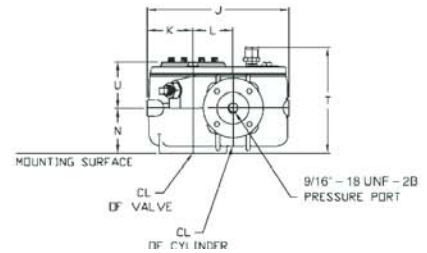
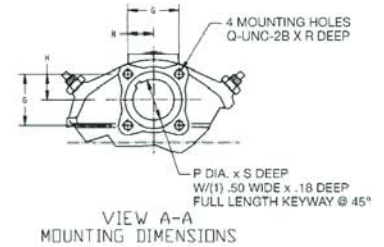
**HD-Series**

# Dimensions – (Hydraulic) In.

## Spring-Return Actuators



**NOTE: ACTUATOR SHOWN ROTATED TO THE FULL CLOCKWISE POSITION.**



Actuator Model	A	B	C	D	E	F	G	H	J	K	L	M	N	Q	R	S	T	U	V	W
HD251.5-SR 560	43.69																			
HD251.5-SR 5150	49.47	15.75	5.56	11.12	2.00	3.75	3.18	1.59	8.91	2.87	2.50	N.A.	2.81	1/2-13	0.75	5.62	7.12	3.00	5.94	5.37
HD251-SR 5100																				
HD251-SR 5125	43.69	15.75	5.56	11.12	2.00	3.75	3.18	1.59	8.91	2.87	2.50	N.A.	2.81	1/2-13	0.75	5.62	7.12	3.00	5.94	5.37
HD251-SR 580																				
HD251-SR 540																				
HD251-SR 560																				

Note: Not Certified dimensional drawings. Such drawings available on request.  
 Contact factory with correct model designation and serial number.  
 All dimensions are expressed in inches.



www.Bettis.com

Copyright © Emerson Process Management. The information in this document is subject to change without notice.  
 Updated data sheets can be obtained from our website [www.bettis.com](http://www.bettis.com) or from your nearest Valve Automation Center.  
 USA: +1 281 727 5300 Europe: +31 74 256 1010 Asia-Pacific: +65 6501 4600



**Data sheet**

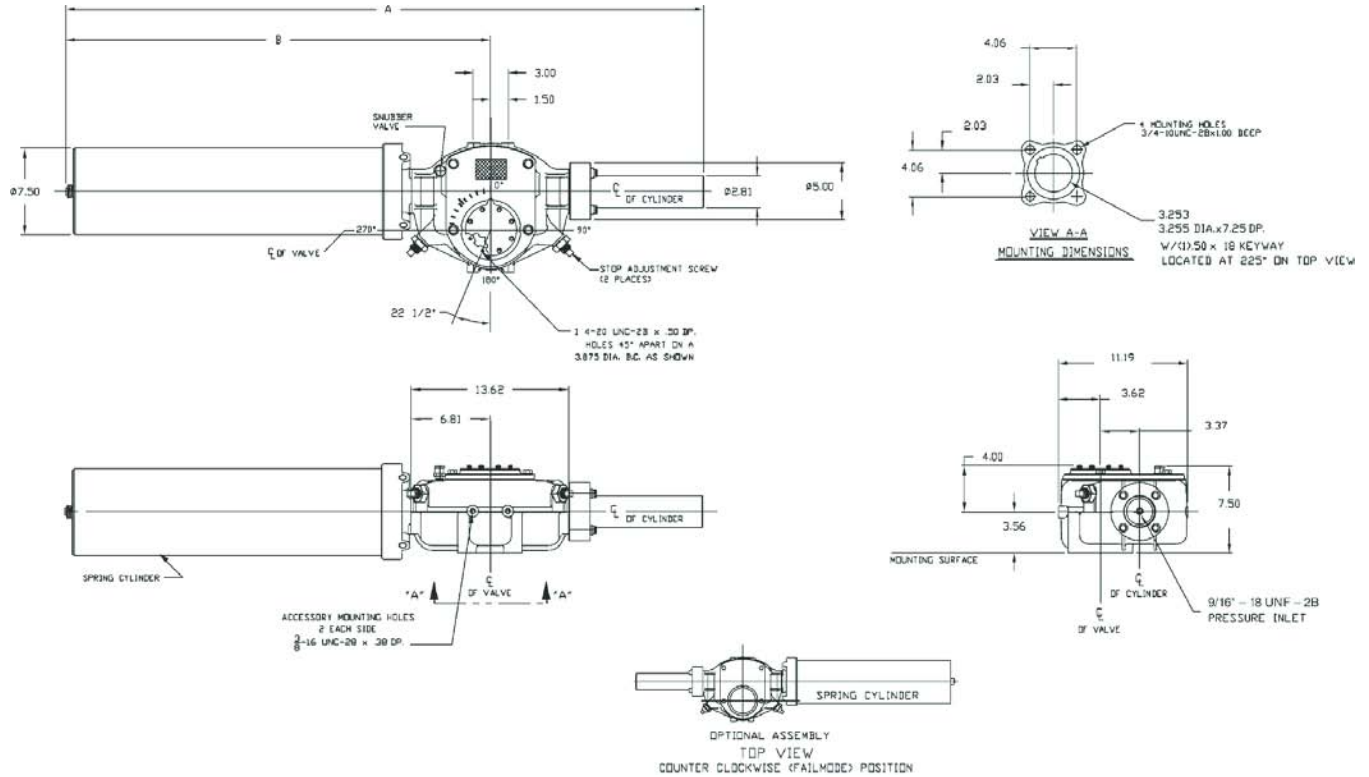
Sheet No.: HHI 3.03 RevA

Date: September 2009

**HD-Series**

# Dimensions – (Hydraulic) In.

## Spring-Return Actuators



Actuator Model	A	B
H352.1-SR 740/760	59.87	37.87
H352.1-SR 780/7100	59.87	37.87
H352.1-SR 7125/7150	65.25	43.25

Note: Not Certified dimensional drawings. Such drawings available on request.  
 Contact factory with correct model designation and serial number.  
 All dimensions are expressed in inches.



www.Bettis.com

Copyright © Emerson Process Management. The information in this document is subject to change without notice.  
 Updated data sheets can be obtained from our website [www.bettis.com](http://www.bettis.com) or from your nearest Valve Automation Center.  
**USA: +1 281 727 5300 Europe: +31 74 256 1010 Asia-Pacific: +65 6501 4600**

