

Data sheet

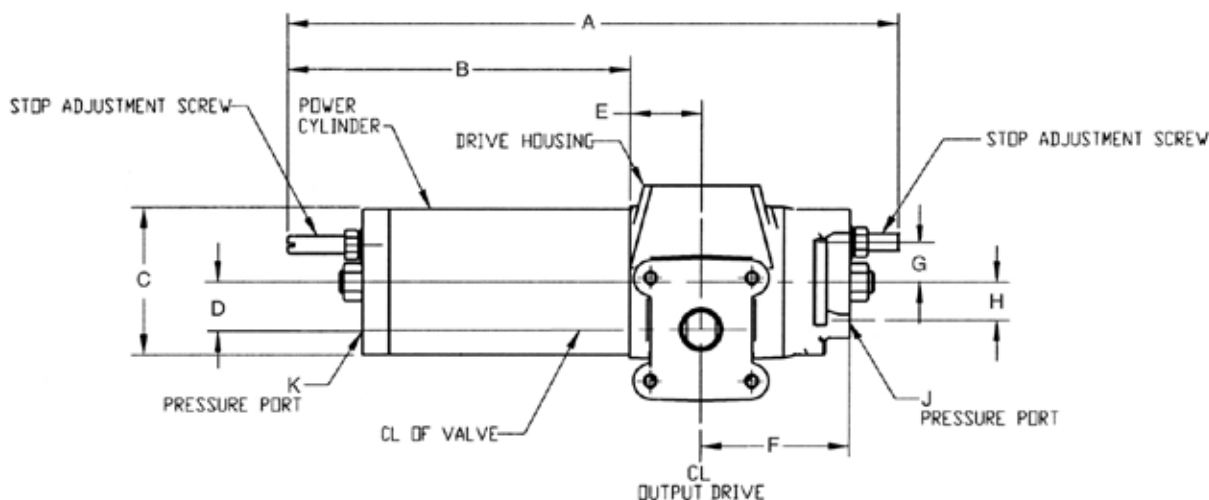
Sheet No.: CPI 3.01 RevB

Date: September 2010

CBA-Series

Dimensions – (Pneumatic) In.

Double-Acting Actuators CBAXXX



| Actuator Model | A | B | C | D | E | F | G | H | J/K | L | M | N |
|----------------|-------|-------|------|------|------|------|------|------|----------|-------------|------|-------|
| CBA315 | 14.16 | 7.38 | 3.25 | 1.09 | 1.88 | 3.46 | 0.94 | 0.94 | 1/4" NPT | .313-18 UNC | 0.38 | 2.250 |
| CBA420 | 16.43 | 8.57 | 4.25 | 1.38 | 2.13 | 4.37 | 1.10 | 1.10 | 3/8" NPT | .375-16 UNC | 0.50 | 3.000 |
| CBA520 | 16.46 | 8.63 | 5.38 | 1.38 | 2.07 | 4.37 | 1.10 | 1.10 | 3/8" NPT | .375-16 UNC | 0.50 | 3.000 |
| CBA525 | 19.22 | 9.88 | 5.38 | 1.69 | 2.56 | 5.00 | 1.25 | 1.25 | 3/8" NPT | .500-13 UNC | 0.50 | 3.500 |
| CBA725 | 19.44 | 10.24 | 7.50 | 1.69 | 2.53 | 5.00 | 1.25 | 1.25 | 3/8" NPT | .500-13 UNC | 0.50 | 3.500 |

| Actuator Model | P | Q | R | S | T | U | V | W | X | Y | Z | AA |
|----------------|-------------|-------|------|------|------|------|------|----------------|------|------|------|----------------|
| CBA315 | .313-18 UNC | 1.125 | 2.91 | 5.81 | 0.75 | 2.22 | 5.18 | 0.614 0.620 | 1.03 | 3.75 | 1.09 | 0.873 0.875 |
| CBA420 | .375-16 UNC | 1.500 | 3.35 | 6.69 | 0.75 | 2.81 | 6.25 | 0.864 0.870 | 1.03 | 4.63 | 1.38 | 1.123 1.125 |
| CBA520 | .375-16 UNC | 1.500 | 3.35 | 6.69 | 0.75 | 2.81 | 6.25 | 0.864 0.870 | 1.03 | 4.63 | 1.38 | 1.121 1.125 |
| CBA525 | .500-13 UNC | 1.750 | 4.38 | 8.75 | 1.12 | 3.50 | 7.58 | 1.115 1.121 | 1.50 | 5.75 | 1.69 | 1.498 1.500 |
| CBA725 | .500-13 UNC | 1.750 | 4.38 | 8.75 | 1.12 | 3.50 | 7.58 | 1.115 1.121 | 1.50 | 5.75 | 1.69 | 1.498 1.500 |

Note: Not Certified dimensional drawings. Such drawings available on request.
Contact factory with correct model designation and serial number.
All dimensions are expressed in inches.

BETTIS[™]

www.Bettis.com

Copyright © Emerson Process Management. The information in this document is subject to change without notice.
Updated data sheets can be obtained from our website www.bettis.com or from your nearest Valve Automation Center.
USA: +1 281 727 5300 Europe: +31 74 256 1010 Asia-Pacific: +65 6501 4600



EMERSON[™]
Process Management

Data sheet

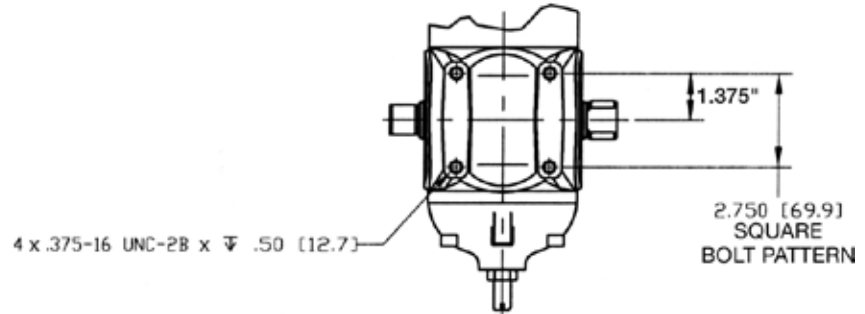
Sheet No.: CPI 3.02 RevB

Date: September 2010

CBA-Series

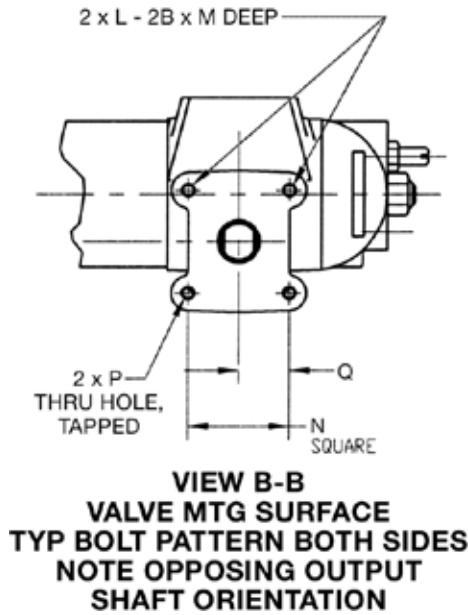
Dimensions – (Pneumatic) In.

Double-Acting Actuators
CBAXXX (cont.)

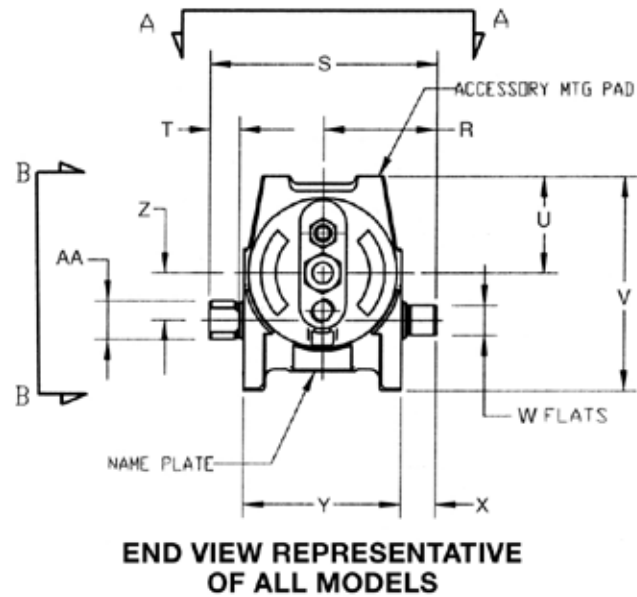


ACTUATORS SHOWN ROTATED
TO FULL CLOCKWISE POSITION

VIEW A-A
ACCY MTG PAD



VIEW B-B
VALVE MTG SURFACE
TYP BOLT PATTERN BOTH SIDES
NOTE OPPOSING OUTPUT
SHAFT ORIENTATION



END VIEW REPRESENTATIVE
OF ALL MODELS

Note: Not Certified dimensional drawings. Such drawings available on request.
Contact factory with correct model designation and serial number.
All dimensions are expressed in inches.



www.Bettis.com

Copyright © Emerson Process Management. The information in this document is subject to change without notice.
Updated data sheets can be obtained from our website www.bettis.com or from your nearest Valve Automation Center.
USA: +1 281 727 5300 Europe: +31 74 256 1010 Asia-Pacific: +65 6501 4600



Data sheet

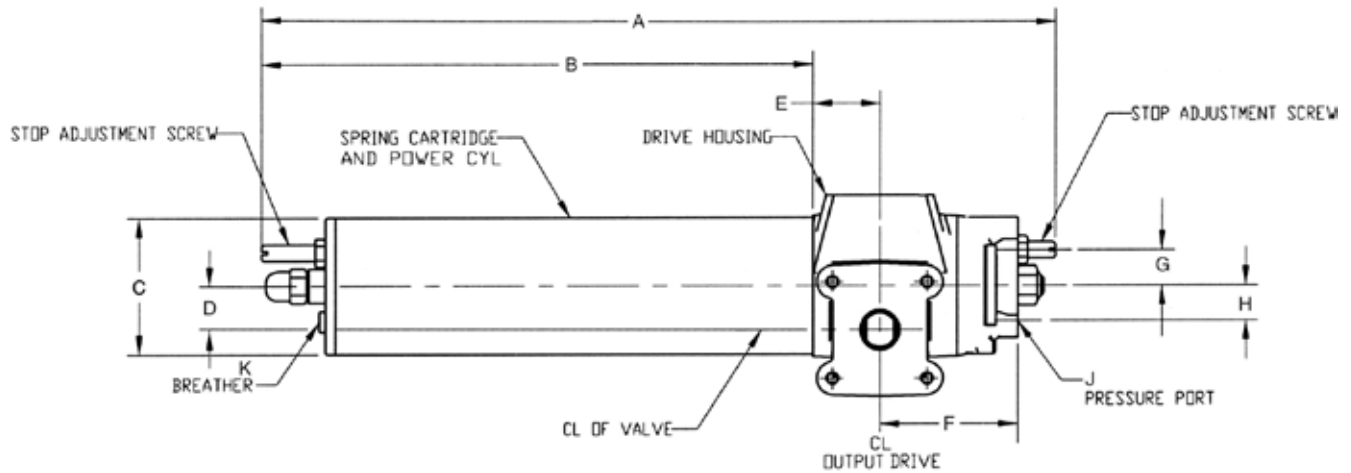
Sheet No.: CPI 3.03 RevB

Date: September 2010

CBA-Series

Dimensions – (Pneumatic) In.

Spring-Return Actuators CBA XXX-SRX



| Actuator Model | A | B | C | D | E | F | G | H | J/K | L |
|----------------|-------|-------|------|------|------|------|------|------|----------|-------------|
| CBA315-SRX | 20.13 | 13.66 | 3.25 | 1.09 | 1.88 | 3.46 | 0.94 | 0.94 | 1/4" NPT | .313-18 UNC |
| CBA415-SRX | 20.20 | 13.71 | 4.25 | 1.09 | 1.88 | 3.46 | 0.94 | 0.94 | 1/4" NPT | .313-18 UNC |
| CBA420-SRX | 24.54 | 17.07 | 4.25 | 1.38 | 2.13 | 4.37 | 1.10 | 1.10 | 3/8" NPT | .375-16 UNC |
| CBA520-SRX | 24.88 | 17.44 | 5.38 | 1.38 | 2.07 | 4.37 | 1.10 | 1.10 | 3/8" NPT | .375-16 UNC |
| CBA525-SRX | 28.21 | 18.01 | 5.38 | 1.69 | 2.56 | 5.00 | 1.25 | 1.25 | 3/8" NPT | .500-13 UNC |
| CBA725-SRX | 28.09 | 18.37 | 7.50 | 1.69 | 2.53 | 5.00 | 1.25 | 1.25 | 3/8" NPT | .500-13 UNC |

| Actuator Model | M | N | P | Q | R | S | T | U | V | W | X | Y | Z | AA |
|----------------|------|-------|-------------|-------|------|------|------|------|------|----------------|------|------|------|----------------|
| CBA315-SRX | 0.38 | 2.250 | .313-18 UNC | 1.125 | 2.91 | 5.81 | 0.75 | 2.22 | 5.18 | 0.614 0.620 | 1.03 | 3.75 | 1.09 | 0.873 0.875 |
| CBA415-SRX | 0.38 | 2.250 | .313-18 UNC | 1.125 | 2.91 | 5.81 | 0.75 | 2.22 | 5.18 | 0.614 0.620 | 1.03 | 3.75 | 1.09 | 0.871 0.875 |
| CBA420-SRX | 0.50 | 3.000 | .375-16 UNC | 1.500 | 3.35 | 6.69 | 0.75 | 2.81 | 6.25 | 0.864 0.870 | 1.03 | 4.63 | 1.38 | 1.123 1.125 |
| CBA520-SRX | 0.50 | 3.000 | .375-16 UNC | 1.500 | 3.35 | 6.69 | 0.75 | 2.81 | 6.25 | 0.864 0.870 | 1.03 | 4.63 | 1.38 | 1.121 1.125 |
| CBA525-SRX | 0.50 | 3.500 | .500-13 UNC | 1.750 | 3.50 | 8.75 | 1.12 | 3.50 | 7.58 | 1.115 1.121 | 1.50 | 5.75 | 1.69 | 1.498 1.500 |
| CBA725-SRX | 0.50 | 3.500 | .500-13 UNC | 1.750 | 3.50 | 8.75 | 1.12 | 3.50 | 7.58 | 1.115 1.121 | 1.50 | 5.75 | 1.69 | 1.498 1.500 |

Note: Not Certified dimensional drawings. Such drawings available on request.
Contact factory with correct model designation and serial number.
All dimensions are expressed in inches.

BETTISTM

www.Bettis.com

Copyright © Emerson Process Management. The information in this document is subject to change without notice.
Updated data sheets can be obtained from our website www.bettis.com or from your nearest Valve Automation Center.
USA: +1 281 727 5300 Europe: +31 74 256 1010 Asia-Pacific: +65 6501 4600


EMERSONTM
Process Management

Data sheet

Sheet No.: CPI 3.04 RevB

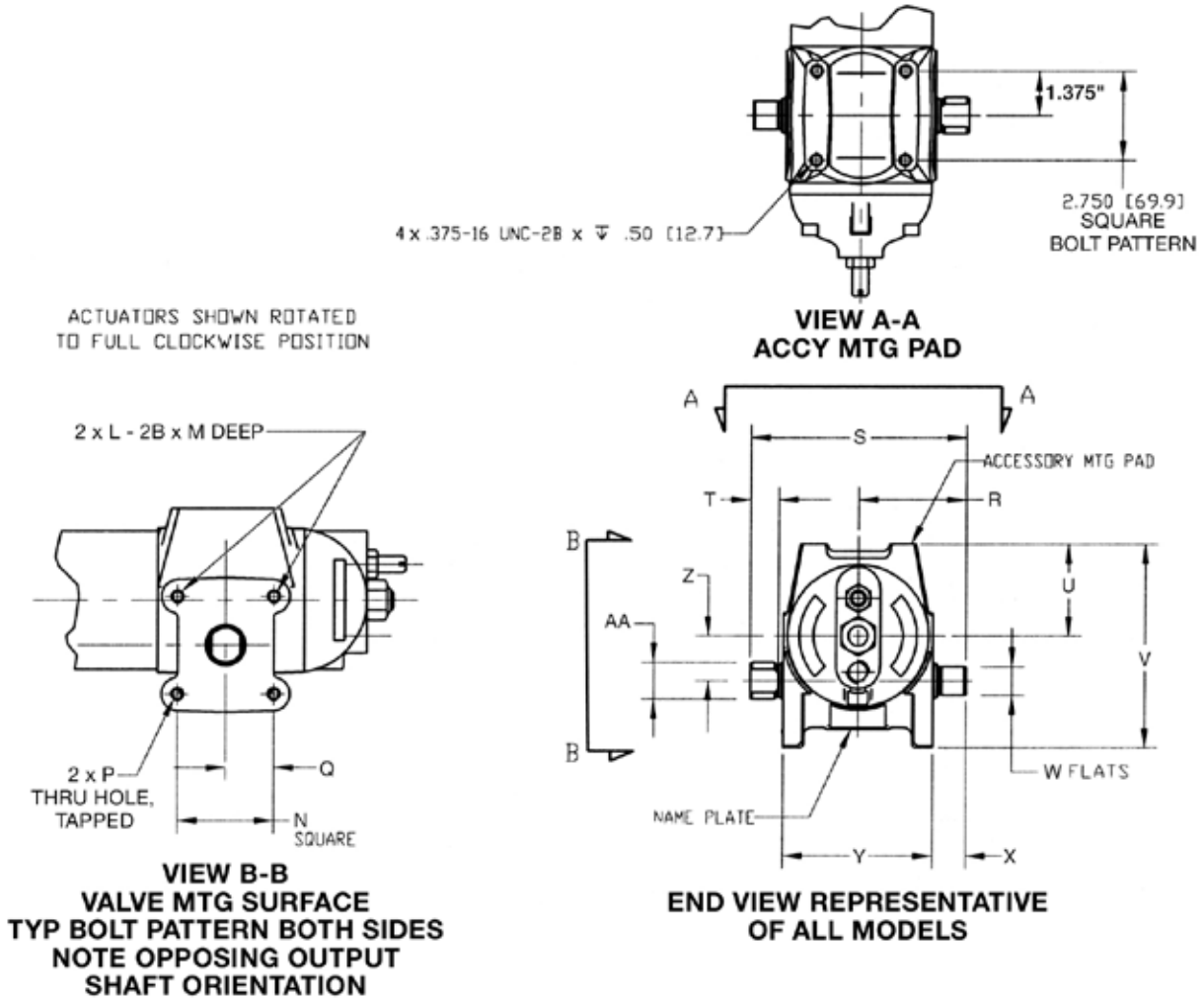
Date: September 2010

CBA-Series

Dimensions – (Pneumatic) In.

Spring-Return Actuators

CBA XXX-SRX (cont.)



Note: Not Certified dimensional drawings. Such drawings available on request.
Contact factory with correct model designation and serial number.
All dimensions are expressed in inches.

BETTIS[™]

www.Bettis.com

Copyright © Emerson Process Management. The information in this document is subject to change without notice.
Updated data sheets can be obtained from our website www.bettis.com or from your nearest Valve Automation Center.
USA: +1 281 727 5300 Europe: +31 74 256 1010 Asia-Pacific: +65 6501 4600



EMERSON[™]
Process Management

Data sheet

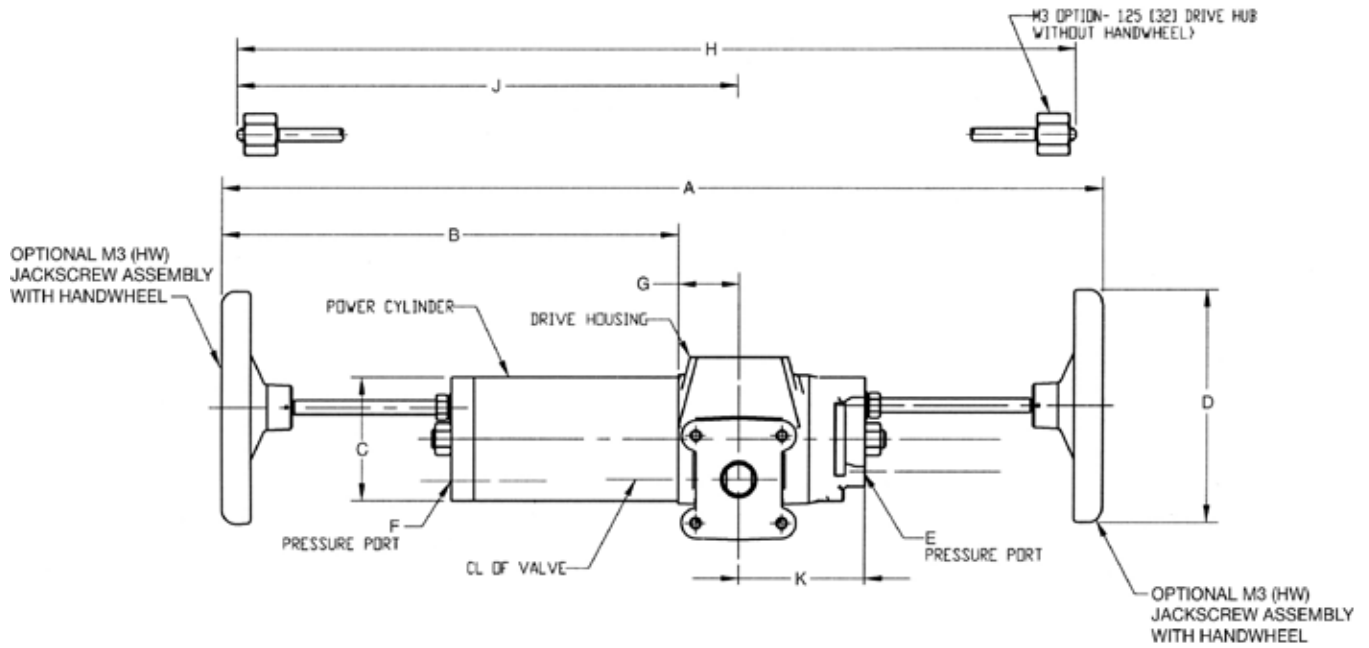
Sheet No.: CPI 3.05 RevB

Date: September 2010

CBA-Series

Dimensions – (Pneumatic) In.

M3(HW) Override
Double-Acting Actuators
CBA XXX-M3(HW)



| Actuator Model | A | B | C | D | E | F | G | H | J | K |
|----------------|-------|-------|------|-------|----------|----------|------|-------|-------|------|
| CBA315-M3HW | 25.23 | 13.01 | 3.25 | 6.00 | 1/4" NPT | 1/4" NPT | 1.88 | 24.21 | 14.37 | 3.47 |
| CBA420-M3HW | 30.58 | 15.82 | 4.25 | 8.00 | 3/8" NPT | 3/8" NPT | 2.13 | 29.12 | 17.37 | 4.38 |
| CBA520-M3HW | 30.58 | 15.85 | 5.25 | 8.00 | 3/8" NPT | 3/8" NPT | 2.09 | 29.06 | 17.37 | 4.38 |
| CBA525-M3HW | 36.52 | 18.92 | 5.25 | 10.00 | 3/8" NPT | 3/8" NPT | 2.56 | 34.17 | 20.31 | 5.00 |
| CBA725-M3HW | 36.65 | 19.08 | 7.50 | 10.00 | 3/8" NPT | 3/8" NPT | 2.53 | 34.17 | 20.31 | 5.00 |

Note: Not Certified dimensional drawings. Such drawings available on request.
 Contact factory with correct model designation and serial number.
 All dimensions are expressed in inches.



www.Bettis.com

Copyright © Emerson Process Management. The information in this document is subject to change without notice.
 Updated data sheets can be obtained from our website www.bettis.com or from your nearest Valve Automation Center.
 USA: +1 281 727 5300 Europe: +31 74 256 1010 Asia-Pacific: +65 6501 4600



Data sheet

Sheet No.: CPI 3.06 RevB

Date: September 2010

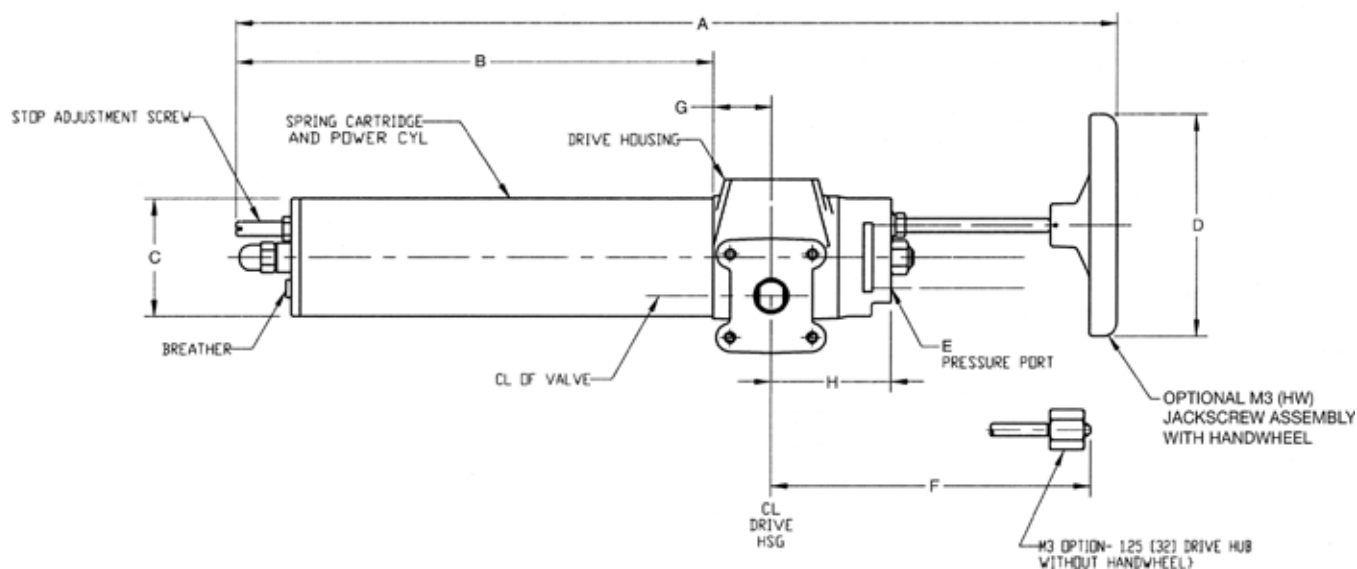
CBA-Series

Dimensions – (Pneumatic) In.

M3(HW) Override

Spring-Return Actuators

CBA XXX-SRX-M3



| Actuator Model | A | B | C | D | E | F | G | H |
|----------------|-------|-------|------|-------|----------|-------|------|------|
| CBA315-SR-M3HW | 26.66 | 14.43 | 3.25 | 6.00 | 1/4" NPT | 9.84 | 1.88 | 3.47 |
| CBA415-SR-M3HW | 26.74 | 14.51 | 4.25 | 6.00 | 1/4" NPT | 9.84 | 1.88 | 3.47 |
| CBA420-SR-M3HW | 32.13 | 17.37 | 4.25 | 8.00 | 3/8" NPT | 11.69 | 2.13 | 4.38 |
| CBA520-SR-M3HW | 32.16 | 17.43 | 5.38 | 8.00 | 3/8" NPT | 11.69 | 2.09 | 4.38 |
| CBA525-SR-M3HW | 36.93 | 19.33 | 5.38 | 10.00 | 3/8" NPT | 13.86 | 2.56 | 5.00 |
| CBA725-SR-M3HW | 36.98 | 19.41 | 7.50 | 10.00 | 3/8" NPT | 13.86 | 2.53 | 5.00 |

Note: Not Certified dimensional drawings. Such drawings available on request.

Contact factory with correct model designation and serial number.

All dimensions are expressed in inches.

BETTIS[™]

www.Bettis.com

Copyright © Emerson Process Management. The information in this document is subject to change without notice.

Updated data sheets can be obtained from our website www.bettis.com or from your nearest Valve Automation Center.

USA: +1 281 727 5300 Europe: +31 74 256 1010 Asia-Pacific: +65 6501 4600


EMERSON[™]
Process Management