



Model A-324 DM



Model R-324-6P



Model A-424



Model A-324



Model ES-10



Model A-324 M

BETTIS[®]

Switching Relays



EMERSON[™]
Process Management

EMERSON. CONSIDER IT SOLVED.™

Description

Bettis Switching Relays are pneumatic/hydraulic poppet style switching devices — manual or pilot operated — for use with high or low pressure control applications. In pneumatic service, they can operate with high pressure gas to 1500 psig, or to 150 psig in low pressure service. The switching

relays are also available as hydraulic models, operating to a maximum of 2160 psig. The Bettis relays are available as 3-way and 4-way 2-position bodies with a range of switching options including pneumatic or hydraulic pilot, mechanical and manual lever.

Features

- Rugged construction for reliability in tough service.
- Tapered poppets. Replaces need for sliding spools with O-rings.
- Large diaphragm and heavy duty return springs.
- Medium flow capacity (Cv). Boosters and quick exhausts normally not required.
- Models available for manual or automated operation.
- Applicable to many low flow switching and shutoff applications.
- Designed for trouble-free operation in cold temperatures and with wet or dirty supply gas or air.
- Bubble tight sealing.
- Customized options available.

General Specifications

All Models

Weights

- A324 2.5 lbs (1.1 kg)
- A424 3.75 lbs (1.71 kg)
- R324 2.5 lbs (1.1 kg)
- A324-PL 3.7lbs (1.7 kg)
- A324-DM 3.7lbs (1.7 kg)
- ES-10 2.0 lbs (0.9 kg)

Ports

- 1/4 NPT, standard

Service

- Air, Sweet gas, <5% H2S, hydraulic fluid

Models A324, A424, R324, A324-DM

Maximum Working Pressure (MAWP)

- Body 1500 psig (10,335 kPag)
- Signal 150 psig (1,033 kPag)

Model A324-PL

Maximum Working Pressure (MAWP)

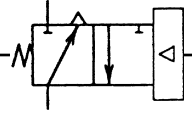
- Body 2160 psig (14,882 kPag)
- Signal 1500 psig (10,335 kPag)

Model ES-10

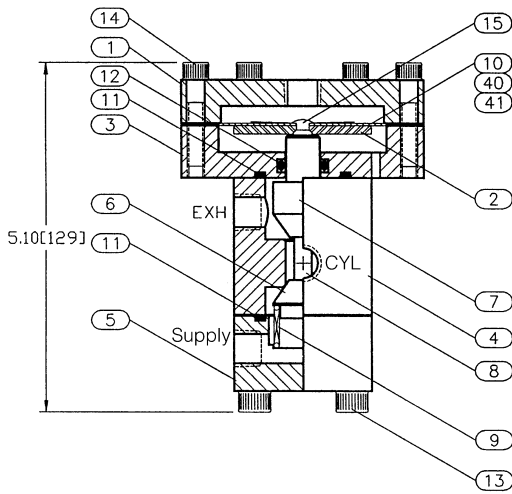
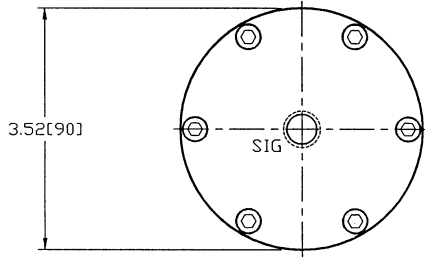
Maximum Working Pressure (MAWP)

- Body 2160 psig (14,882 kPag)

Model A-324



3-Way, 2-Position



Item	Part No.	Description	Material	Qty.
1	324-001	Diaphragm Cap	AL 6061-T6	1
2 *	324-002	Diaphragm Plate	A366/C1018	1
3	324-003	Cylinder Plate	AL 6061-T6	1
4	324-004	Upper Body	AL 6061-T6	1
5	324-005	Lower Body	AL 6061-T6	1
6 *	324-006	Poppet, lower	PVC	1
7 *	324-007	Poppet, upper	PVC	1
8	324-008	Poppet Spacer	SS 304	1
9	324-009	Spring	SS 302	1
10 *	324-010	Diaphragm	Fairprene	1
11 *	324-011	O-Ring, Body	Nitrile A70	2
12 *	324-012	O-Ring, Poppet	Nitrile A70	1
13	324-013	Capscrew, Body	SS 304	4
14	324-014	Capscrew, Diaphragm	SS 304	6
15 *	324-015	Rivet, Diaphragm	AL 6061-T6	1
40 *	324-040	Diaphragm Protector	Teflon	1
41 *	324-041	Diaphragm Backup	SS 302	1

* Recommended spare parts.

Specifications

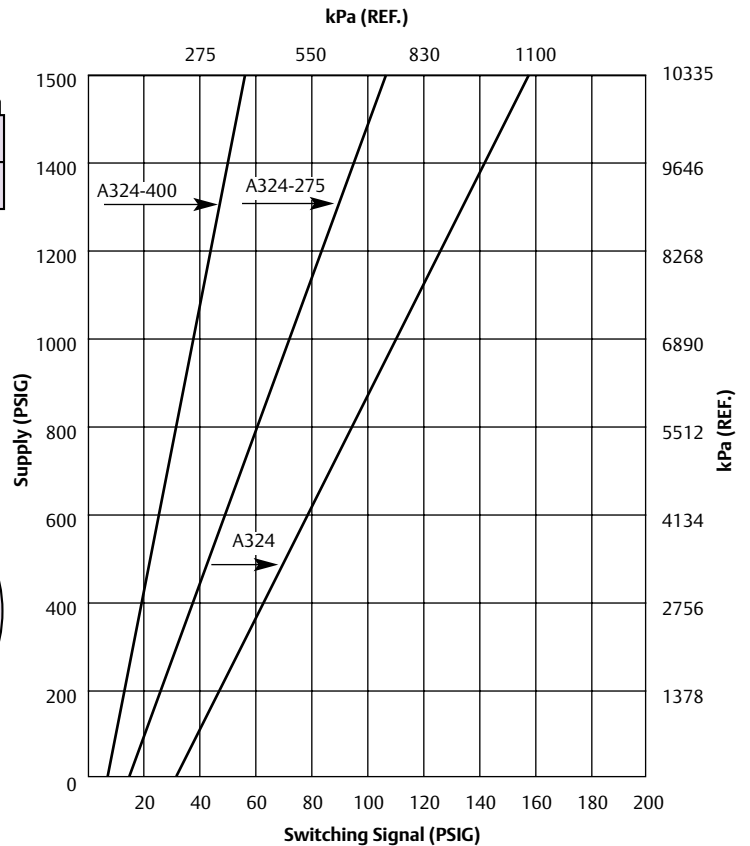
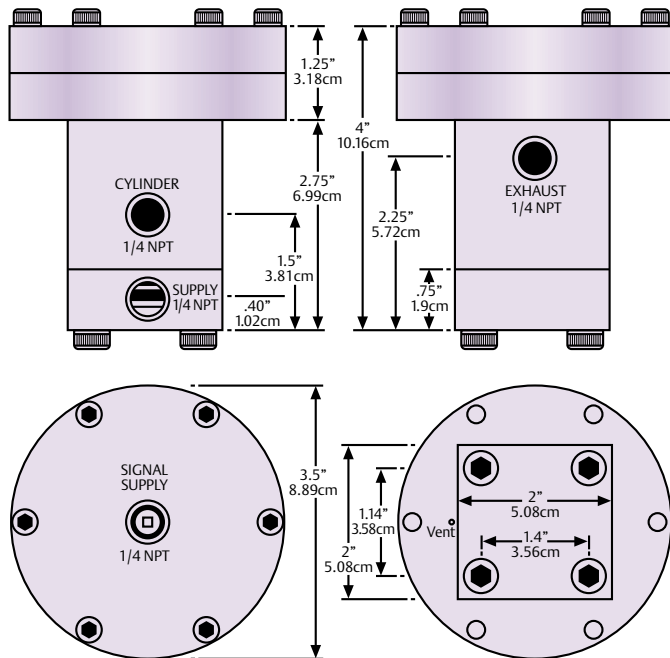
Temperature Rating: -58°F thru +248°F
[-50°C thru +120°C]

Mass: 2.5 lbs [1.1 kg]
MAWP Body: 1500 psig [10335 kPag]
Signal: 150 psig [1033 kPag]

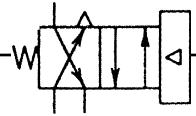
Nominal Ratio: 12:1

Flow Capacity (Cv)
Supply → CYL. 2.0
CYL. → EXH. 1.6

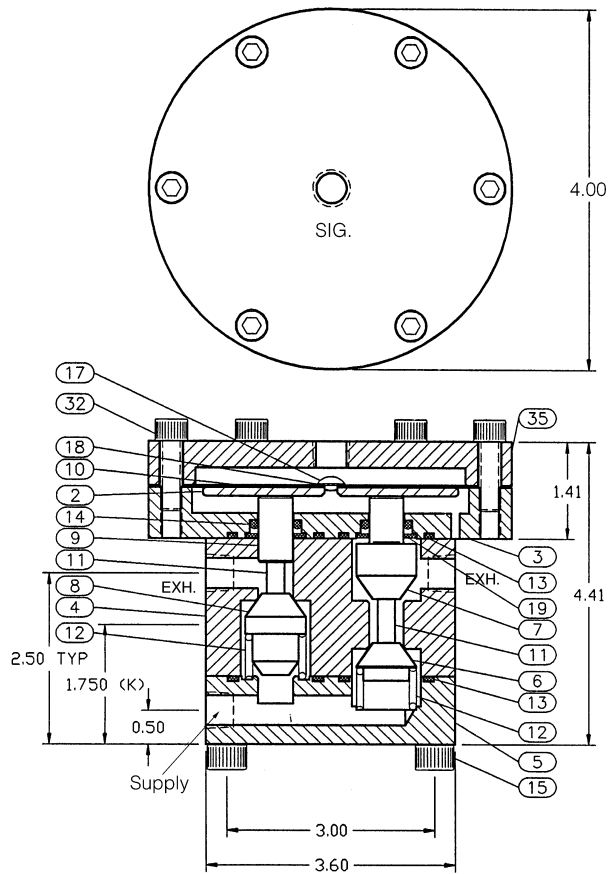
Dimensions



Model A-424



4-way, 2-position



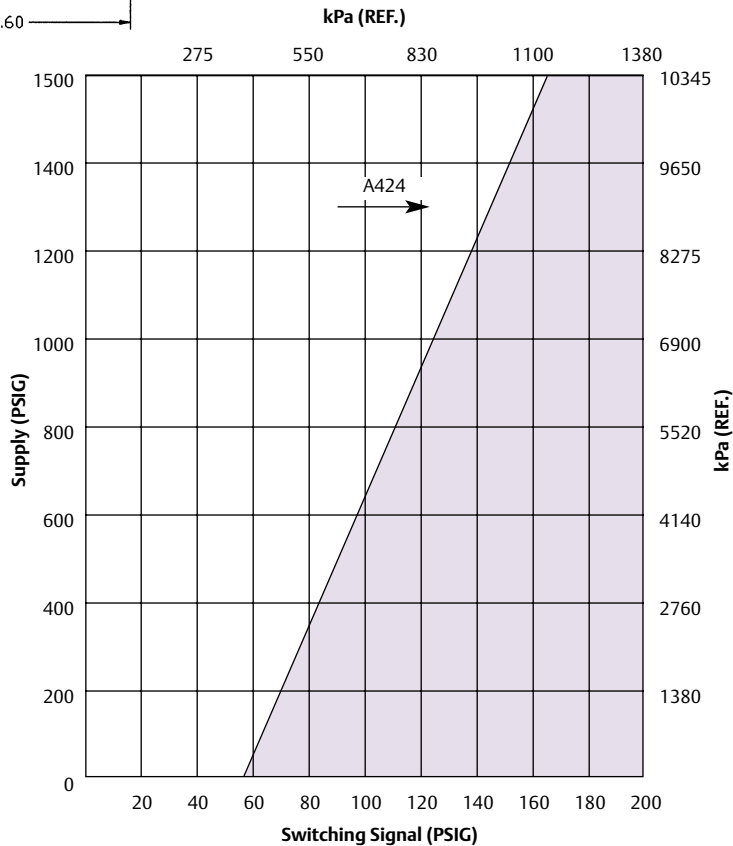
Item	Part No.	Description	Material	Qty.
2 *		Diaphragm Plate	C1018 ZN.PL	1
3		Diaphragm Cyl. Plate	AL 6061-T6	1
4		Upper Body	AL 6061-T6	1
5		Lower Body	AL 6061-T6	1
6 *		Poppet 1	PVC/Nyl./Torlon	1
7 *		Poppet 2	PVC/Nyl./Torlon	1
8 *		Poppet 3	PVC/Nyl./Torlon	1
9 *		Poppet 4	PVC/Nyl./Torlon	1
10 *		Diaphragm	Nyl. Rein Nitrile	1
11		Poppet Spacer	SS 303/..316	2
12		Spring	SS	2
13 *		O-Ring, Body	Nitrile	4
14 *		O-Ring, Poppet	Nitrile	2
15		Capscrew, Body	HXSC GR 5 ZN.PL	4
17 *		Rivet, Diaphragm	Al - Truss Head	1
18 *		Washer, Diaphragm	SS 302	1
19 *		Snap Ring	Truarc SS	2
32		Capscrew, Diaphragm	HXSC SS 304	6
35		Diaphragm Cap	AL 6061-T6	1
44		Nameplate	SS 304	1

* Recommended spare parts.
 (K) 2 hidden cylinder ports on bore axes at elevation shown.

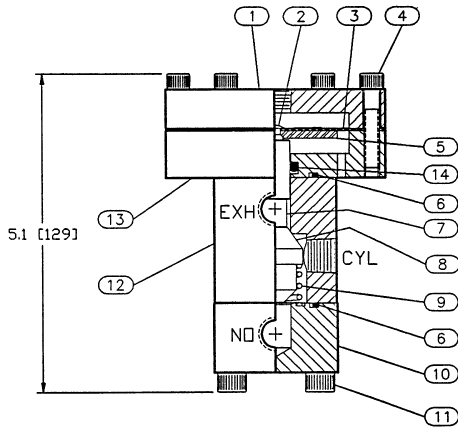
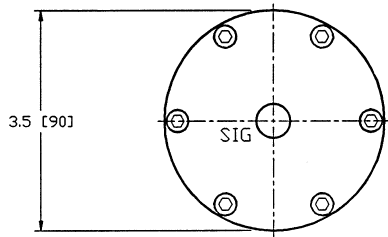
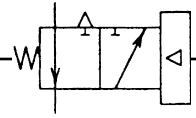
Specifications

Temperature Rating: -58°F thru +248°F
 (-50°C thru +120°C)
 Mass: 3.75 lbs [1.71 kg]
 MAWP Body: 1500 psig [10335 kPag]
 Signal: 150 psig [1033 kPag]

Flow Capacity (Cv)
 Supply → CYL. 2 (NC) 2.0
 Supply → CYL. 1 (NO) 1.6
 CYL. 2 (NC) → EXH. 1.3
 CYL. 1 (NO) → EXH. 1.3



Model R-324



Item	Part No.	Description	Material	Qty.
1	324-001	Diaphragm apC	AL 6061-T6	1
2	324-015	Rivet - Diaphragm	Aluminum	1
3a	324-010	Diaphragm	Fairprene	1
3b	324-040	Diaphragm Protector	Teflon	1
3c	324-041	Diaphragm Backup	SS 302	1
4	324-014	Capscrew, Diaphragm	GR 8 PL	6
5	324-002	Diaphragm Plate	Steel	1
6	324-011	O-Ring - Body	Buna-N	2
7	324-043	Plunger	SS 316	1
8	424-009	Poppet	PVC	1
9	324-009	Spring	SS 302	1
10	324-044	Lower Body	AL 6061-T6	1
11	324-013	Capscrew - Body	GR 8 PL	4
12	906-002	Center Body	AL 6061-T6	1
13	324-003	Diaphragm Cylinder Pl.	AL 6061-T6	1
14	324-012	O-Ring - Plunger	Buna-N	1

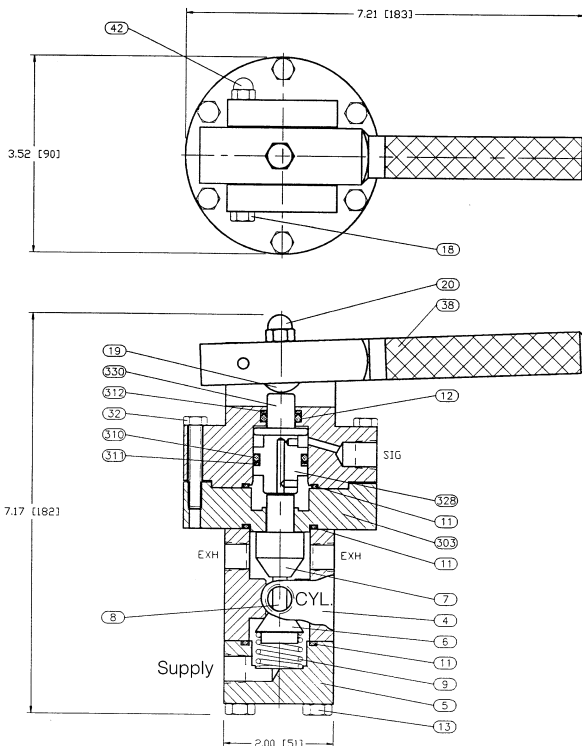
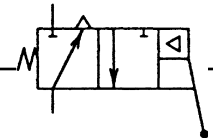
Specifications

Temperature Rating: -58°F thru +248°F
[-50°C thru +120°C]

Mass: 2.5 lbs [1.1 kg]
MAWP: Body 1500 psig [10335 kPag]
Signal 150 psig [1033 kPag]

Flow Capacity (Cv)
NO → CYL. 1.6
CYL. → EXH. 1.3

Model A-324-PL



Item	Part No.	Description	Material	Qty.
4	324-004	Upper Body	AL 6061-T6	1
5	324-005	Lower Body	AL 6061-T6	1
6	324-006	Poppet, Lower	PVC	1
7	324-007	Poppet, Upper	PVC	1
8	324-008	Poppet Spacer	Dowel Pin	1
9	324-009	Spring	CR. Van	1
11	324-011	O-Ring, Body	Nitrile	2
12	324-012	O-Ring, Poppet	Nitrile	2
13	324-013	Capscrew, Body	HXHC GR. 5 ZN.PL	4
18	324-018	Capscrew, Lever	HXHC GR. 5 ZN.PL	1
19	324-019	Roundhead Push Bolt	RHSN GR 5 ZN.PL	1
20	324-020	Nut, Push Bolt	GR 5 ZN.PL	1
32	324-032	Capscrew, Head	HXHC GR. 5 ZN.PL	1
38	324-038	Lever	AL 6061-T6	1
42	324-042	Nut, Lever	RHSN GR 5 ZN.PL	1
301	324-301	Cylinder Head	AL 6061-T6	1
303	324-303	Cylinder Plate	AL 6061-T6	1
310	324-310	O-Ring, Piston	Nitrile	1
311	324-311	Backup, Piston	Nitrile	1
312	324-312	Backup, Poppet	Nitrile	1
328	324-328	Piston	AL 7075-T651	1
330	324-330	Plunger	AL 7075-T651	1

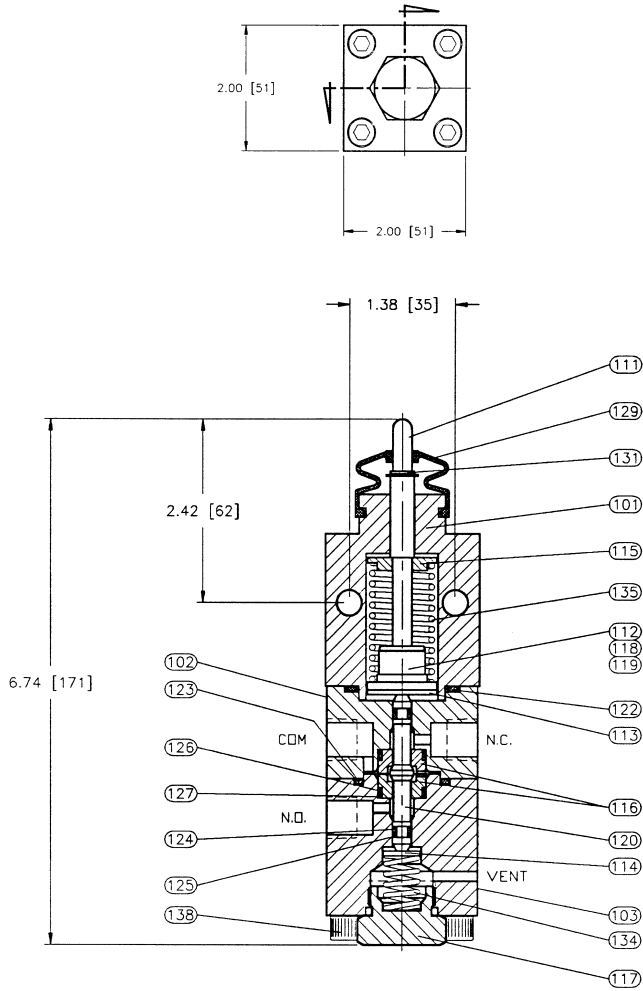
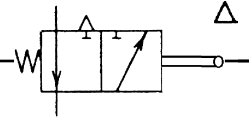
Specifications

Temperature Rating: -58°F thru +248°F
[-50°C thru +120°C]

Mass: 3.7 lbs [1.7 kg]
MAWP: Body 2160 psig [14882 kPag]
Signal 1500 psig [10335 kPag]

Flow Capacity (Cv): Same as A-324

Model ES-10



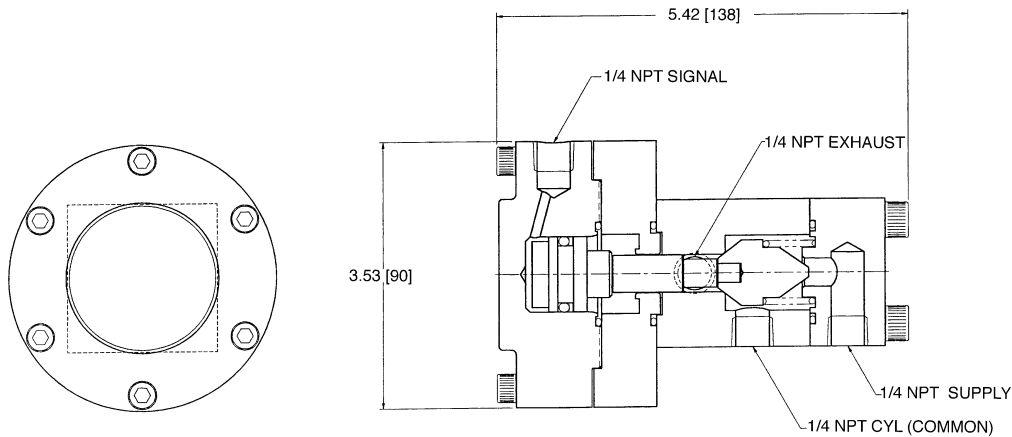
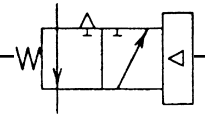
Item	Part No.	Description	Material	Qty.
101	906-101	Adapter Body	AL 6061-T6	1
102	906-102	Upper Body	AL 6061-T6	1
103	906-103	Lower Body	AL 6061-T6	1
111	906-111	Plunger	SS 316	1
112	906-112	Spring Barrel	AL 7075-T651	1
113	906-113	Disc	AL 7075-T651	1
114	906-114	Spring Seat, Return	AL 7075-T651	1
115	906-115	Spring Seat, Overtravel	AL 7075-T651	1
116	906-116	Seat Insert	PVC	2
117	906-117	Spring Retainer Plug	AL 7075-T651	1
118	906-118	Screw, Plunger	SS	1
119	906-119	Washer	SS 316	1
120	906-120	Poppet	AL 7075-T651	1
122	906-122	O-Ring, Upper Body	Nitrile	1
123	906-123	O-Ring, Lower Body	Nitrile	1
124	906-124	O-Ring, Poppet	Nitrile	2
125	906-125	Backup, Poppet	Nitrile	2
126	906-126	Backup, Seat Insert	Nitrile	2
127	906-127	Backup, Seat Insert	Nitrile	2
129	906-129	Boot	Nitrile	1
131	906-131	Retaining Ring	SS 316	1
134	906-134	Spring, Return	SS	1
135	906-135	Spring, Overtravel	SS	1
138	906-138	Bolt	SS 304	4

Specifications

Temperature Rating: -58°F thru +248°F
[-50°C thru +120°C]

Mass: 2.0 lbs [0.9 kg]
MAWP: 2160 psig all ports [14882 kPag]
Flow Capacity (Cv): 0.080

Model R-324 6P100



Specifications

Temperature Rating: -58°F thru +150°F
(-50°C thru +65°C)

Mass: 3.2 lbs [1.5 kg]
MAWP: Body 1500 psig [10335 Kpag]
Signal 1500 psig [10335 Kpag]

Flow Capacity (Cv)
Supply → CYL. 1.5
CYL. → EXH. 1.3



Bettis Canada



Accredited by
the Dutch Council
for certification

ISO 9001



Cert. Num. 93-13
Bettis Canada Ltd.
Edmonton, Alberta

www.EmersonProcess.com/Bettis

Bettis USA

P.O. Box 508
Waller, TX 77484 U.S.A.
T 281-727-5300
F 281-727-5303

Info.Bettis@EmersonProcess.com

Bettis UK Ltd.

3 Furze Court
114 Wickham Rd.
Fareham, Hampshire PO 16 7SH
T 44-1329-848-900
F 44-1329-848-901

Bettis Canada Ltd.

4112-91 A Street
Edmonton, Alberta T6E 5V2
Canada
T 780-450-3600
F 780-450-1400

Bettis France:

30/36 Allee du Plateau
93250 Villemomble
France
T 331-48-122610
F 331-48-122619

Bettis Int'l Sales Office:

Calgary, Canada
Rheinberg, Germany
New Bombay, India
Singapore

© 2003 Emerson Process Management. All rights reserved.

Important: Due to Emerson's continuing commitment to engineered product advancement, data presented herein is subject to change.

The contents of this publication are presented for information purposes only, and while effort has been made to ensure their accuracy, they are not to be construed as warranties or guarantees, expressed or implied, regarding the products or services described herein or their use or applicability. All sales are governed by our terms and conditions, which are available on request. We reserve the right to modify or improve the designs or specifications of our products at any time without notice.

The color orange, U.S. Reg. No. 2,739,393, is a registered trademark of the Bettis Corporation.

