

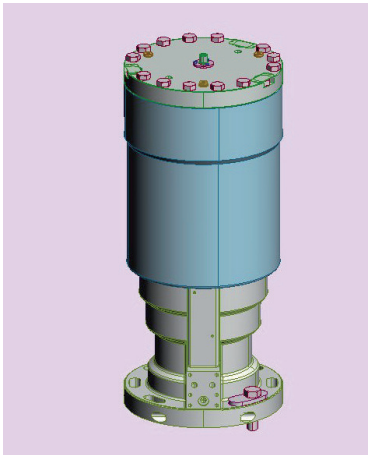
## Data sheet

Sheet No.: BHHF16000.01 RevA

Date: October 2010

BHHF 16000

# Hydraulic single-acting balanced rotary actuator 90° (Quarter-turn) fail-safe



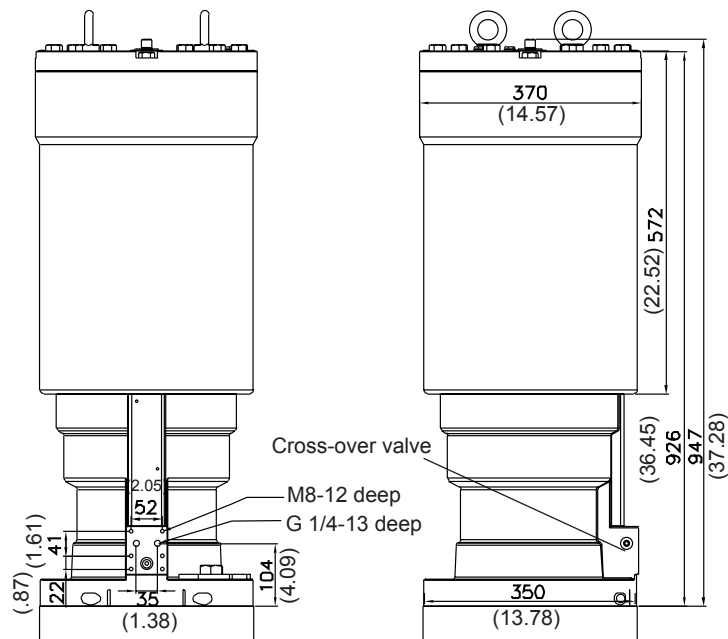
### Main data:

Working pressure:	135 bar	(1958 psi)
Burst test:	675 bar	(9788 psi)
Total dry wt. incl. 46.5 kg. (102.3 lbs.) mounting set	467 kg	(1029.5 lbs.)
Oil displacement:	3.1 l	(189.2 cu. in.)
Temperature range:	-20°C to +80°C	(-5° F to +180° F)
Rotation:	90°±1°	
Hydraulic media and viscosities:	We recommend acid-free hydraulic oil. Viscosity range: 15-200 cSt. For recommended brands and for other media than oil please refer to separate data sheet.	

### Main dimensions:

Actuator shown in closed (fail safe) position.

Dimensions in inches shown in parentheses.



**BETTIS™**

www.Bettis.com

Copyright © Emerson Process Management. The information in this document is subject to change without notice.

Updated data sheets can be obtained from our website [www.bettis.com](http://www.bettis.com) or from your nearest Valve Automation Center.

USA: +1 281 727 5300 Europe: +31 74 256 1010 Asia-Pacific: +65 6501 4600

**EMERSON™**  
Process Management

# Data sheet

Sheet No.: BHHF16000.02 RevA  
Date: October 2010

# BHHF 16000

## Valve adaptation:

Approx 5°

Adapter

Intermediate flange

Valve shaft intrusion: (5.20)

132

Adjustment screw, torque: 50 Nm (442.6 in. lb.)

6.5° 6.5°

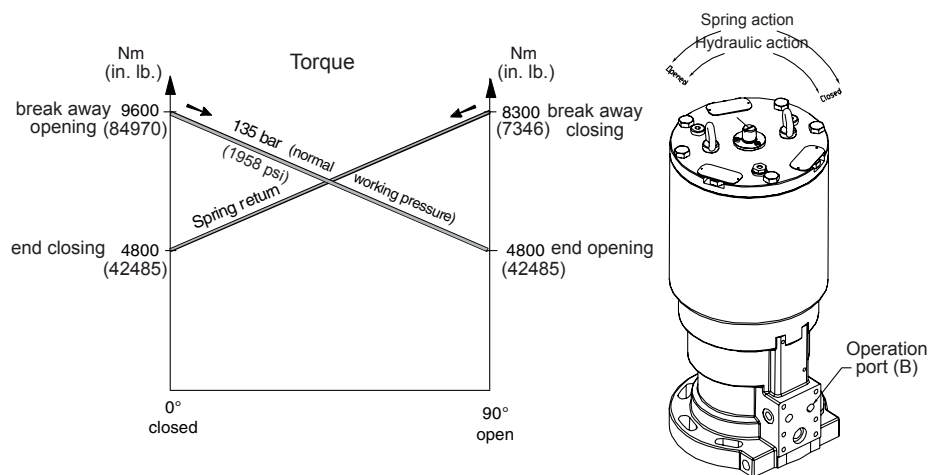
Fastening nut, torque: 600 Nm (5310.6 in. lb.)

Limits for the machining of the adapter. Other shapes and valve shaft intrusions on request, please contact Bettis.

Shape			
Machined acc. to:	DIN 6885		DIN 79
mm (max.):	Ø 95 (3.740)		□ 85 (3.346)

Dimensions in inches in parentheses.

## Performance:



Note: Not Certified dimensional drawings. Such drawings are available on request. Contact factory with correct model designation and serial number.  
Important: Due to Emerson's continuing commitment to engineered product advancement, data presented herein is subject to change.

The contents of the publication are presented for information purposes only, and while effort has been made to ensure their accuracy, they are not to be construed as warranties or guarantees, express or implied, regarding the products or services described herein or their use or applicability. All sales are governed by our terms and conditions, which are available on request. We reserve the right to modify or improve the designs or specifications of our products at any time without notice.

# BETTIS™

www.Bettis.com

Copyright © Emerson Process Management. The information in this document is subject to change without notice. Updated data sheets can be obtained from our website [www.bettis.com](http://www.bettis.com) or from your nearest Valve Automation Center.  
USA: +1 281 727 5300 Europe: +31 74 256 1010 Asia-Pacific: +65 6501 4600

**EMERSON™**  
Process Management