

WHEN MOUNTING IN NON METALLIC VESSEL THE PROBE MUST BE MOUNTED WITH A METALLIC FLANGE >2"/DN50 OR THE THREADED VERSION MUST BE SCREWED IN TO A METAL SHEET >Ø200 [7,8].

AVOID DISTURBING EMC ENVIRONMENT.  
INSTALLATION IN METALLIC TANK IS RECOMMENDED.

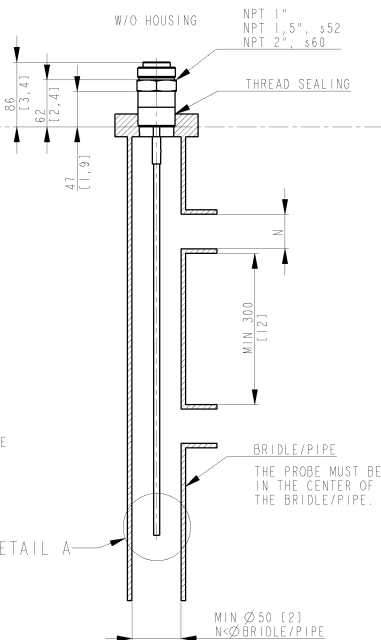
DEPENDING ON TURBULENCE IN TANK AND MOUNTING ANGLE THE PROBE MAY NEED TO BE ANCHORED OR SUPPORTED.

ENSURE THAT THE PROBE HAS NO CONTACT TO NOZZLE/TANK WALL.

L > 500 [19,7] TO DISTURBING OBJECTS OR TO WALL IF MATERIAL CONCRETE, PLASTIC OR RUGGED METAL.

L > 100 [3,9] IF SMOOTH SURFACE METAL WALL.

D  
RECOMMENDED  
D > 150 [6].  
MIN D = 50 [2]  
REQUIRES  
SPECIAL CONFIG.  
SETTINGS.



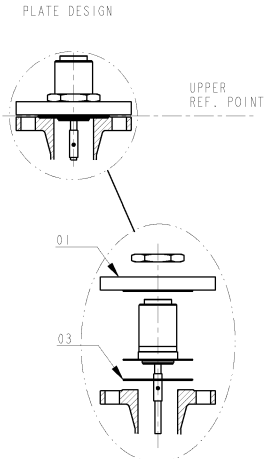
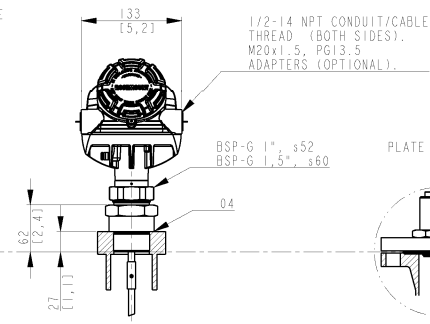
SEE DETAIL A

DETAIL A



CENTERING DISC (OPTIONAL)

FOR MORE INFO, SEE REFERENCE MANUAL.



I. P/T-RATING FOR FLANGE; SEE REF. MANUAL.

04	GASKET	I	ACC. TO BSP-G THREAD STD.	CUSTOMER
03	GASKET	I	SOFT GASKET T=MIN 1,6 (ANSI B16.5/1c, EN1514-1/1BC). SEE NOTE 1.	CUSTOMER
02	SCREW/NUT/WASHER	-	ACC. TO FLANGE STD. SEE NOTE 1.	CUSTOMER
01	FLANGE	I	DIM. ACC. TO ANSI B 16.5/EN 1092-1. OTHER ON REQUEST. P/T RATING. SEE NOTE 1.	RMT
POS	ITEM DESCRIPTION	QTY	REMARK	SUPPLIER

ISSUED BY	MEK	PRODUCT CODE	5300	FILE	PRO/E	INSTALLATION DRAWING TITLE	MECHANICAL INSTALLATION DWG		
APPROVED BY	MEK	ORIGINAL DWG. NO.	9240030-993	SCALE	-	RIGID SINGLE LEAD			
				T-SI ANGLE	2	DWG NO.	9240030-993	ISSUE	SHEET
					2		02	1/1	

THE COPYRIGHT/OWNERSHIP OF THIS DOCUMENT IS AND WILL REMAIN OURS. THE DOCUMENT MUST NOT BE USED WITHOUT OUR AUTHORIZATION OR BROUGHT TO THE KNOWLEDGE OF A THIRD PARTY. CONTRAVENTION WILL BE PROSECUTED. ROSEMOUNT TANK RADAR AB, SWEDEN