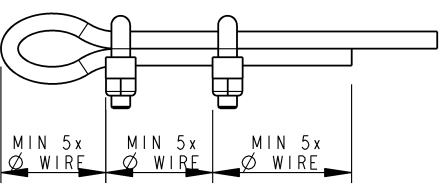


WHEN MOUNTING IN NON-METALLIC VESSEL THE PROBE MUST BE MOUNTED WITH A METALLIC FLANGE > 2" / DN50 OR THE THREADED VERSION MUST BE SCREWED IN TO A METAL SHEET > Ø200 [7.8]

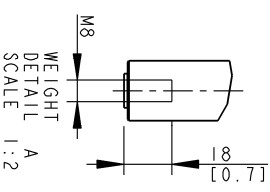
AVOID DISTURBING EMC-ENVIRONMENT. INSTALLATION IN METALLIC TANK IS RECOMMENDED.



WIRE ROPE CLIP/CHUCK (OPTIONAL)

RECOMMENDED D > 150 [6].
MIN. D = 50 [2] REQUIRES SPECIAL CONFIG. SETTINGS.
MAX REC. H < (D + 100) [D + 4]

ENSURE THAT PROBE HAS NO CONTACT WITH NOZZLE/TANK WALL.

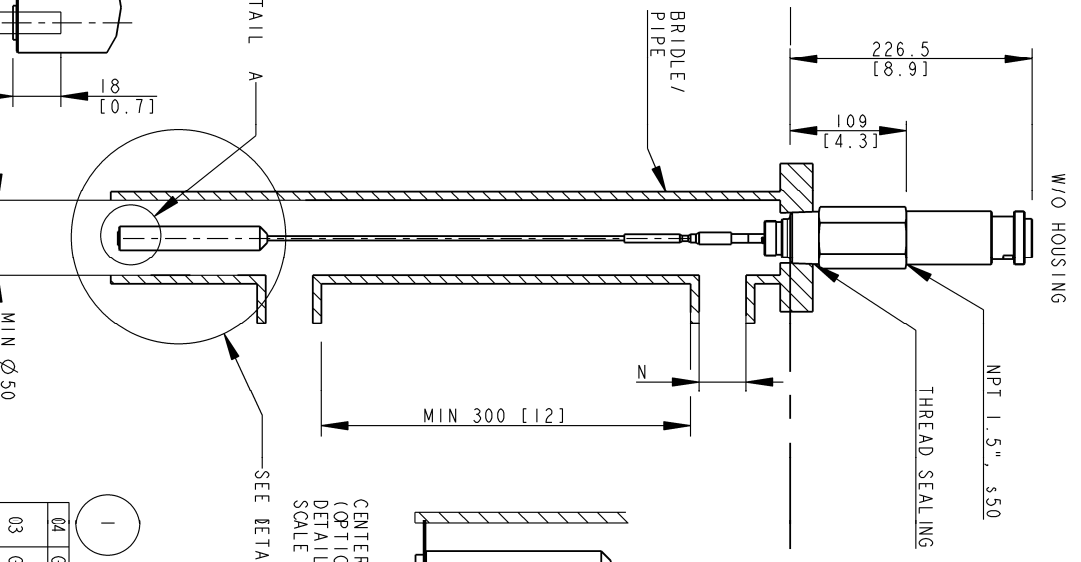


DEPENDING ON TURBULENCE IN TANK AND MOUNTING ANGLE THE PROBE MAY NEED TO BE ANCHORED OR SUPPORTED.

SEE DETAIL A

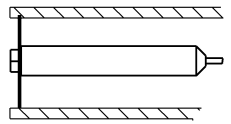
THE PROBE MUST BE IN THE CENTER OF THE BRIDLE/PIPE.

FOR MORE INFO. SEE REFERENCE MANUAL.



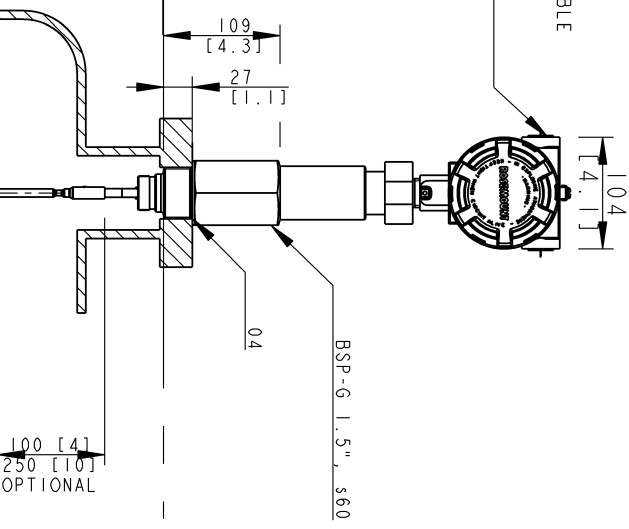
1/2-14 NPT CONDUIT/CABLE THREAD (BOTH SIDES).
M20 x 1.5, PG13 x 5 ADAPTERS (OPTIONAL).

CENTERING DISC (OPTIONAL) DETAIL B SCALE 1:4



1 P/T-RATING FOR FLANGE; SEE REF. MANUAL.

L > 300 [11.8] TO DISTURBING OBJECTS OR TO WALL IF MATERIAL CONCRETE, PLASTIC OR RUGGED MATERIAL.
L > 100 [3.9] IF SMOOTH SURFACE METAL WALL.



04	GASKET	1	ACC. TO BSP-G THREAD STD.	CUSTOMER
03	GASKET	1	SOFT GASKET T-MIN 1.6 (ANSI B16.5/1a, EN1514-1/1BC). SPIRAL WOUND GASKET WITH NON METALLIC FILLER (ANSI B16.5/1b, EN1514-2), SEE NOTE 1.	CUSTOMER
02	SCREW/NUT/WASHER	-	ACC. TO FLANGE STD. SEE NOTE 1.	CUSTOMER
01	FLANGE	1	DIM. ACC. TO ANSI B 16.5/EN 1092-1. OTHER ON REQUEST. P/T RATING, SEE NOTE 1.	RMT

ISSUED BY	WEI	PRODUCT CODE	TITLE	INSTALLATION DRAWING TITLE
GU-ML	0642	3300	PROBE	MECHANICAL INSTALLATION DWG
APPROVED BY	WEI	ORIGINAL DWG. NO.	SCALE	FLEXIBLE SINGLE LEAD HTHP
GU-HF	0646	9240017-998	1:5	
DOC. NO.	9240017-998	ISSUE	SHEET	1/1

ROSEMOUNT

THE COPYRIGHT OWNERSHIP OF THIS DOCUMENT IS AND WILL REMAIN OURS. THE DOCUMENT MUST NOT BE USED WITHOUT OUR AUTHORIZATION OR BROUGHT TO THE KNOWLEDGE OF A THIRD PARTY. CONTRAVENTION WILL BE PROSECUTED. ROSEMOUNT TANK RADAR AB, SWEDEN.