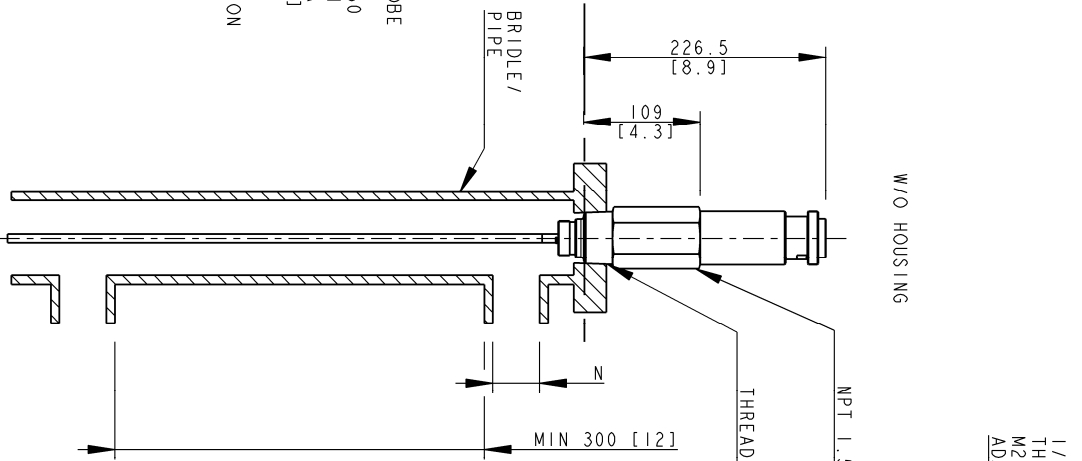


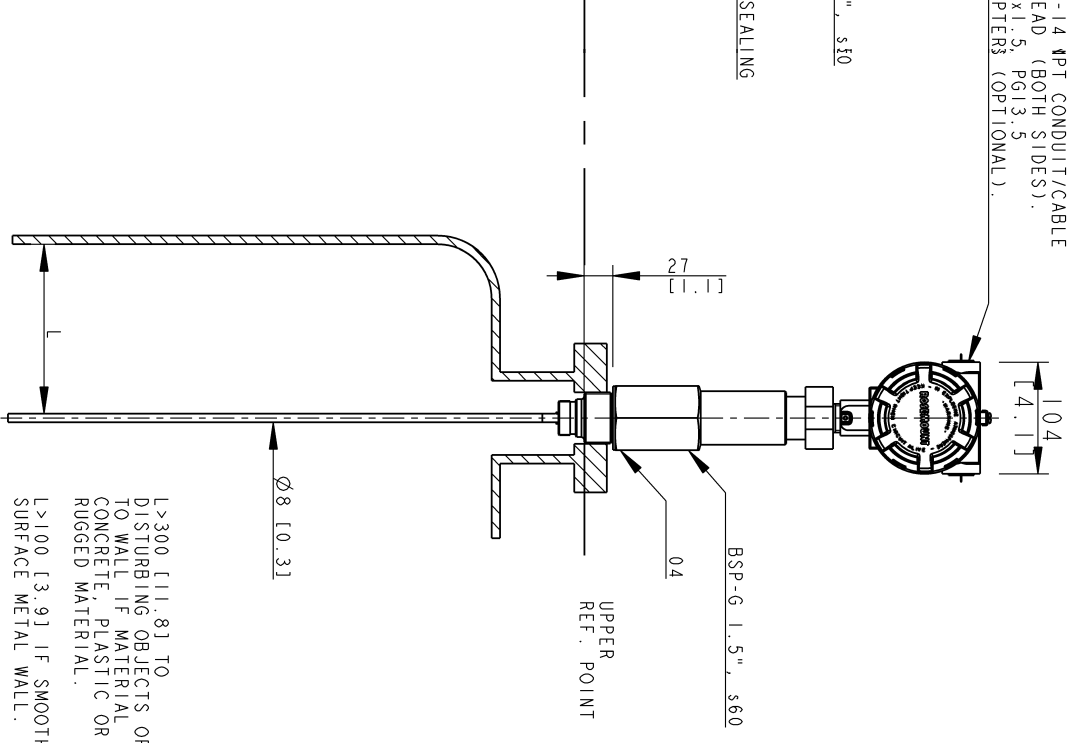
WHEN MOUNTING IN NON-METALLIC VESSEL THE PROBE MUST BE MOUNTED WITH A METALLIC FLANGE >2" / DN50 OR THE THREADED VERSION MUST BE SCREWED IN TO A METAL SHEET >Ø200 [7.8]

AVOID DISTURBING EMC-ENVIRONMENT. INSTALLATION IN METALLIC TANK IS RECOMMENDED.

DEPENDING ON TURBULENCE IN TANK AND MOUNTING ANGLE THE PROBE MAY NEED TO BE ANCHORED OR SUPPORTED.



1/2-14 NPT CONDUIT/CABLE THREAD (BOTH SIDES). M20x1.5, PG13.5 ADAPTERS (OPTIONAL).



L>300 [11.8] TO DISTURBING OBJECTS OR TO WALL IF MATERIAL CONCRETE, PLASTIC OR RUGGED MATERIAL.

L>100 [3.9] IF SMOOTH SURFACE METAL WALL.

RECOMMENDED D>150 [6]. MIN. D=50 [2] REQUIRES SPECIAL CONFIG. SETTINGS.

MAX REC. H<(D+100) [D+41]

ENSURE THAT PROBE HAS NO CONTACT WITH NOZZLE/TANK WALL.

MIN. Ø50 [2]

N<<ØBRIDLE/PIPE>

THE PROBE MUST BE IN THE CENTER OF THE BRIDLE/PIPE.

FOR MORE INFO, SEE REFERENCE MANUAL.

1 P/T-RATING FOR FLANGE; SEE REF. MANUAL.

POS	ITEM DESCRIPTION	QTY	REMARK	CUSTOMER
01	GASKET	1	ACC. TO BSP-G THREAD STD.	CUSTOMER
02	GASKET	1	SOFT GASKET T=MIN 1.6 (ANSI B16.5/1a, EN1514-1/1BC). SPIRAL WOUND GASKET WITH NON METALLIC FILLER (ANSI B16.5/1b, EN1514-2). SEE NOTE 1.	CUSTOMER
03	SCREW/NUT/WASHER	-	ACC. TO FLANGE STD. SEE NOTE 1.	CUSTOMER
04	FLANGE	1	DIM. ACC. TO ANSI B 16.5/EN 1092-1. OTHER ON REQUEST. P/T RATING, SEE NOTE 1.	RMT

ISSUED BY	DATE	PRODUCT CODE	TITLE	INSTALLATION DRAWING TITLE
GU-TK-T010536	3300		PROBE	MECHANICAL INSTALLATION DWG
APPROVED BY	WEED	ORIGINAL DWG. NO.	SCALE	
\$U-HF	0603	9240017-997	1:5	RIGID SINGLE LEAD

**ROSEMOUNT**



DOC. TYPE DWG NO. 9240017-997

ISSUE SHEET 02 1/1

THE COPYRIGHT OWNERSHIP OF THIS DOCUMENT IS AND WILL REMAIN OURS. THE DOCUMENT MUST NOT BE USED WITHOUT OUR AUTHORIZATION OR BROUGHT TO THE KNOWLEDGE OF A THIRD PARTY. CONTRAVENTION WILL BE PROSECUTED. ROSEMOUNT TANK RADAR AB, SWEDEN.