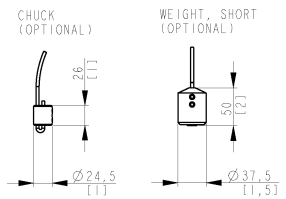
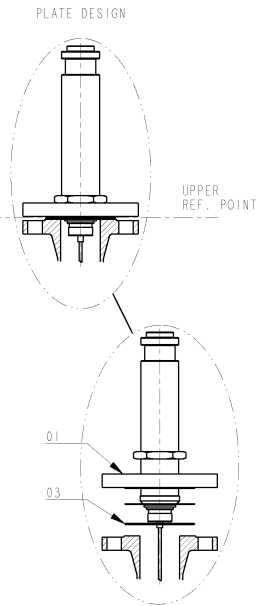
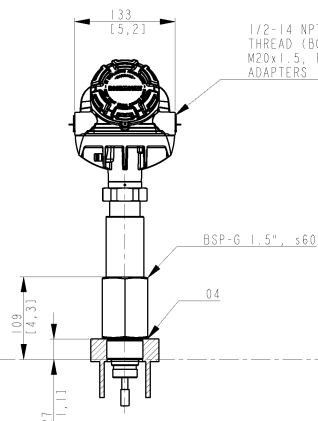
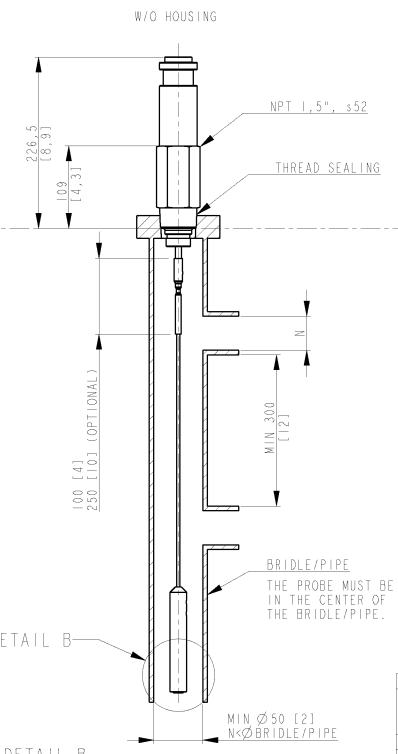


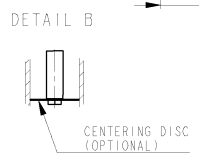
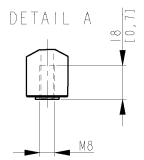
WHEN MOUNTING IN NON METALLIC VESSEL THE PROBE MUST BE MOUNTED WITH A METALLIC FLANGE >2"/DN50 OR THE THREADED VERSION MUST BE SCREENED IN TO A METAL SHEET >Ø200 [7,8]

AVOID DISTURBING EMC ENVIRONMENT. INSTALLATION IN METALLIC TANK IS RECOMMENDED.



DEPENDING ON TURBULENCE IN TANK AND MOUNTING ANGLE THE PROBE MAY NEED TO BE ANCHORED OR SUPPORTED.

ENSURE THAT PROBE HAS NO CONTACT WITH NOZZLE/TANK WALL.



FOR MORE INFO SEE REFERENCE MANUAL

I. P/T-RATING FOR FLANGE, SEE REF. MANUAL.

POS	ITEM	DESCRIPTION	QTY	REMARK	SUPPLIER
04	GASKET	I	ACC. TO BSP-G THREAD STD.		CUSTOMER
03	GASKET	I	SOFT GASKET T=MIN 1,6 (ANSI B16.5/16, EN1514-1/1BC), SPIRAL WOUND GASKET WITH NON METALLIC FILLER (ANSI B16.5/16, EN1514-2), SEE NOTE 1.		CUSTOMER
02	SCREW/NUT/WASHER	-	ACC. TO FLANGE STD, SEE NOTE 1.		CUSTOMER
01	FLANGE	I	DIM. ACC. TO ANSI B 16.5/EN 1092-1, OTHER ON REQUEST. P/T RATING, SEE NOTE 1.		RMT

ISSUED BY	REV	PRODUCT CODE	FILE	INSTALLATION DRAWING TITLE
Eme-HW-C	0909	5300	PRO/E	MECHANICAL INSTALLATION DWG
APPROVED BY	REV	ORIGINAL DWG. NO.	SCALE	FLEXIBLE SINGLE LEAD HTPW
Eme-HF	0909	9240017-995	-	
T 1 ST ANGLE				DWG NO.
				2
DOC TYPE	DWG NO.	ISSUE	SHEET	
2	9240017-995	02	1/1	

THE COPYRIGHT/OWNERSHIP OF THIS DOCUMENT IS AND WILL REMAIN OURS. THE DOCUMENT MUST NOT BE USED WITHOUT OUR AUTHORIZATION OR BROUGHT TO THE KNOWLEDGE OF A THIRD PARTY. CONTRAVENTION WILL BE PROSECUTED. ROSEMOUNT TANK-RADAR AB, SWEDEN