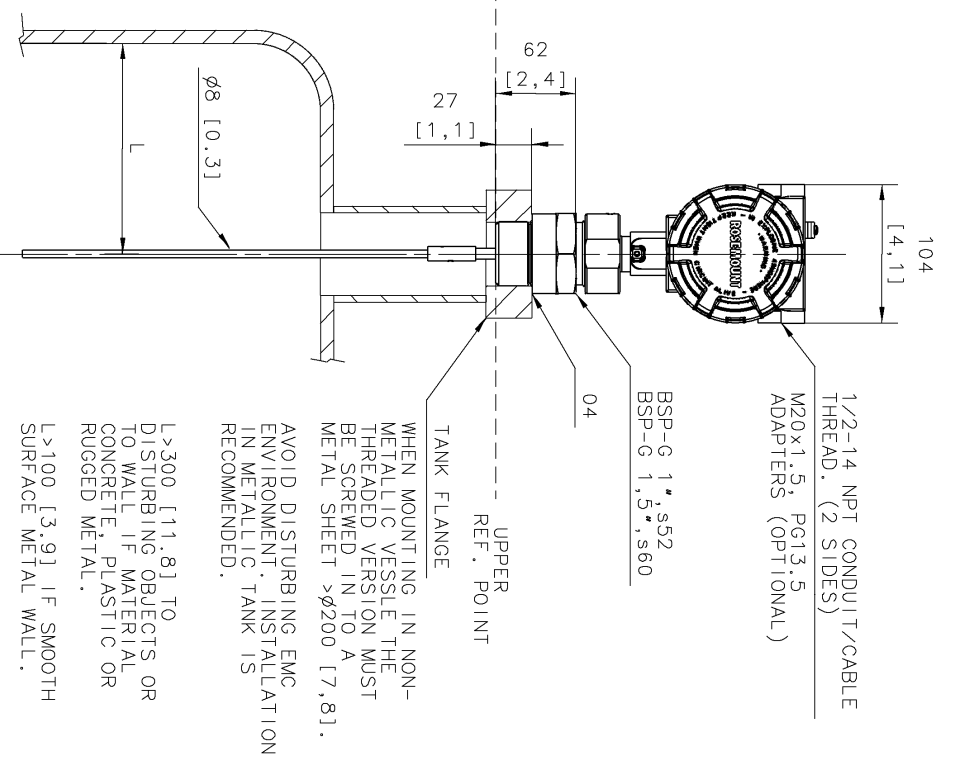


DEPENDENT ON TURBULENCE IN TANK AND MOUNTING ANGLE THE PROBE MAY NEED TO BE ANCHORED OR SUPPORTED.

THE PROBE MUST BE IN THE CENTER OF THE BRIDLE/PIPE.



① P/T-RATING FOR FLANGE; SEE REF. MANUAL.

POS	ITEM DESCRIPTION	QTY	REMARK	SUPPLIER
04	GASKET	1	ACC. TO BSP-G THREAD STD.	CUSTOMER
03	GASKET	1	SOFT GASKET T=MIN 1.6 (ANSI B16.5/1A, EN1514-1/1BC) SEE NOTE 1	CUSTOMER
02	SCREW/NUT/WASHER	-	ACC. TO FLANGE STD. SEE NOTE 1.	CUSTOMER
01	FLANGE	1	DIM. ACC. TO ANSI B 16.5/ EN 1092-1; OTHER ON REQUEST. P/T-RATING SEE NOTE 1.	RMT

FOR MORE INFO, SEE REFERENCE MANUAL

ISSUED BY: GU-TK-RS, WEEK: 0412, PRODUCT CODE: 3300, FILE: IDEAS, SCALE: 1:4

APPROVED BY: GU-HF, WEEK: 0412, ORIGINAL DWG NO.: 9150077-988

**ROSEMOUNT** 1 ST ANGLE

DOC TYPE: 2, DWG NO.: 9150077-988, ISSUE: 2, SHEET: 01/01

MECHANICAL INSTALLATION DWG RIGID SINGLE LEAD, SPECIAL MTRL

THE COPYRIGHT/OWNERSHIP OF THIS DOCUMENT IS AND WILL REMAIN OURS. THE DOCUMENT MUST NOT BE USED WITHOUT OUR AUTHORIZATION OR BROUGHT TO THE KNOWLEDGE OF A THIRD PARTY. CONTRAVENTION WILL BE PROSECUTED. ROSEMOUNT TANK RADAR AB, SWEDEN.