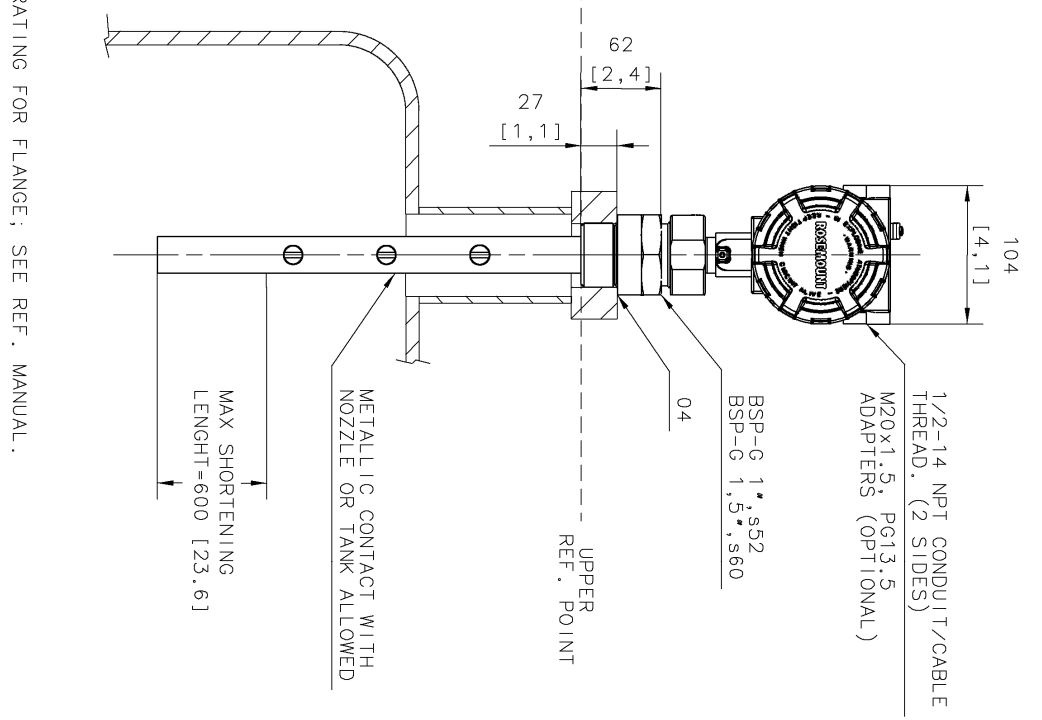
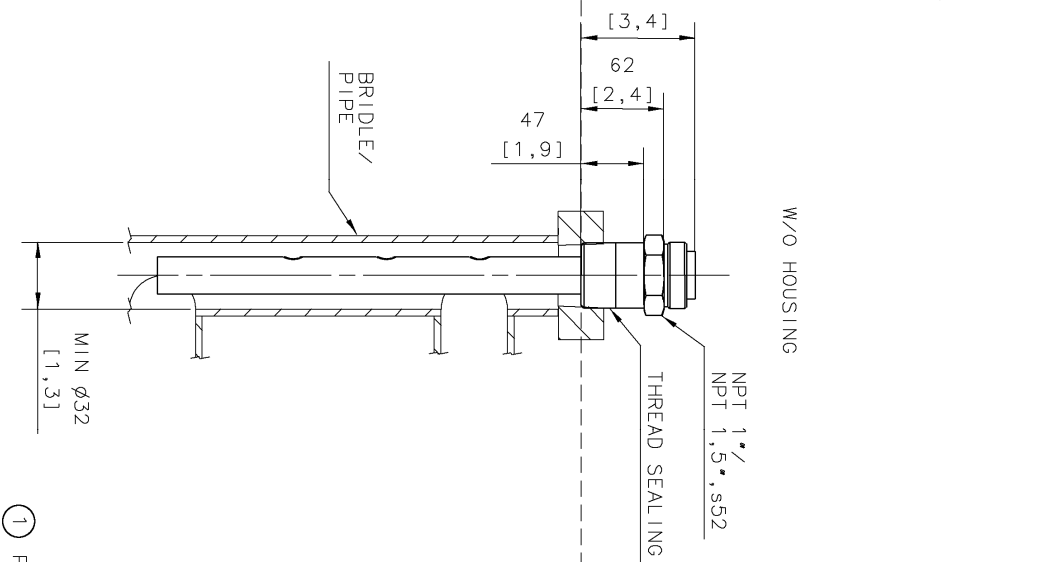


DEPENDING ON TURBULENCE
IN TANK AND MOUNTING ANGLE
THE PROBE MAY NEED TO BE
ANCHORED OR SUPPORTED.



① P/T-RATING FOR FLANGE; SEE REF. MANUAL.

04	GASKET	1	ACC. TO BSP-G THREAD STD.	CUSTOMER
03	GASKET	1	SOFT GASKET T=MIN 1.6 (ANSI B16.5/1A, EN1514-1/IBC) SEE NOTE 1	CUSTOMER
02	SCREW/NUT/WASHER	-	ACC. TO FLANGE STD. SEE NOTE 1.	CUSTOMER
01	FLANGE	1	DIM. ACC. TO ANSI B 16.5/ EN 1092-1; OTHER ON REQUEST. P/T-RATING SEE NOTE 1.	RMT
POS	ITEM DESCRIPTION	QTY	REMARK	SUPPLIER

FOR MORE INFO, SEE
REFERENCE MANUAL

ISSUED BY	WEEK	PRODUCT CODE	FILE	IDEAS	SCALE	DOC TYPE	DWG NO.	ISSUE	SHEET
GU-TK-RS	0311	3300			1:4		9150077-975	2	01/01
APPROVED BY	WEEK	ORIGINAL DWG NO.							
GU-HF	0319	9150077-975							
ROSEMOUNT									
MECHANICAL INSTALLATION DWG					COAXIAL LEAD, SERIES 3300				
THE COPYRIGHT/OWNERSHIP OF THIS DOCUMENT IS AND WILL REMAIN OURS. THE DOCUMENT MUST NOT BE USED WITHOUT OUR AUTHORIZATION OR BROUGHT TO THE KNOWLEDGE OF A THIRD PARTY. CONTRAVENTION WILL BE PROSECUTED. ROSEMOUNT TANK RADAR AB, SWEDEN.									