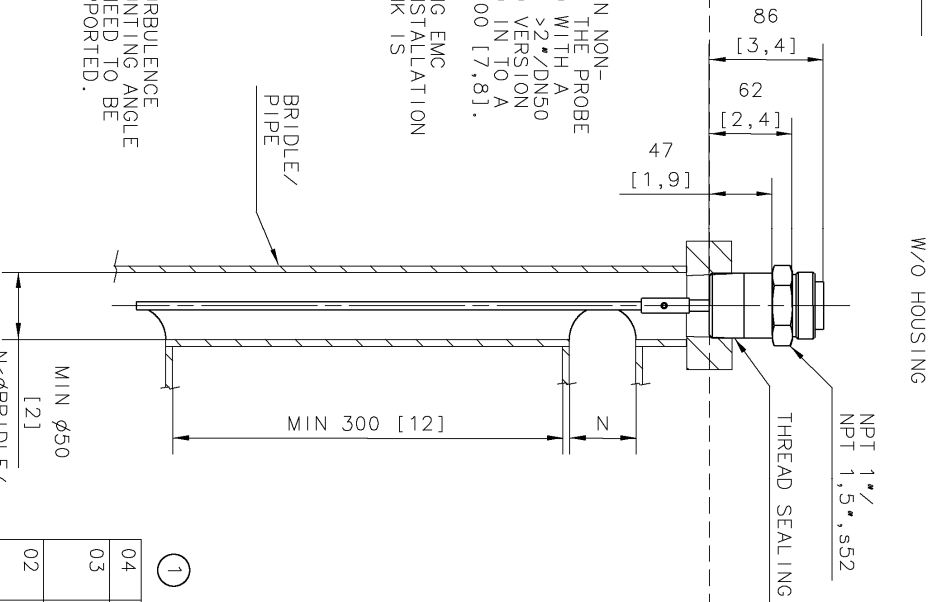
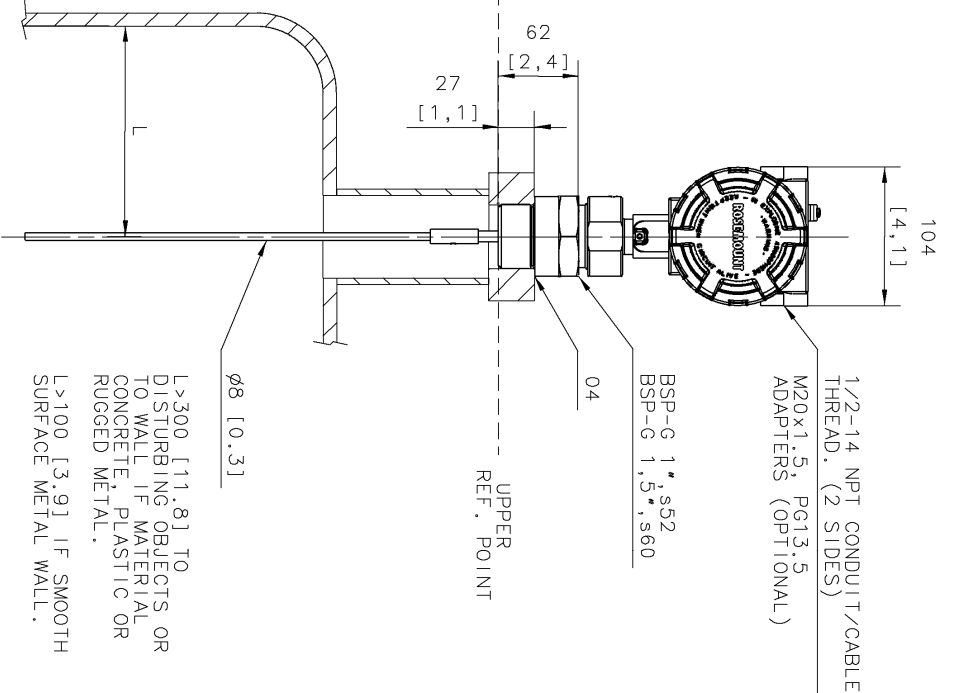


DEPENDING ON TURBULENCE IN TANK AND MOUNTING ANGLE THE PROBE MAY NEED TO BE ANCHORED OR SUPPORTED.



THE PROBE MUST BE IN THE CENTER OF THE BRIDLE/PIPE.

FOR MORE INFO, SEE REFERENCE MANUAL.



① P/T-RATING FOR FLANGE; SEE REF. MANUAL.

POS	ITEM DESCRIPTION	QTY	REMARK	SUPPLIER
04	GASKET	1	ACC. TO BSP-G THREAD STD.	CUSTOMER
03	GASKET	1	SOFT GASKET T=MIN 1,6 (ANSI B16,5/1A, EN1514-1/IBC) SEE NOTE 1	CUSTOMER
02	SCREW/NUT/WASHER	-	ACC. TO FLANGE STD.	CUSTOMER
01	FLANGE	1	DIM. ACC. TO ANSI B 16.5/EN 1092-1; OTHER ON REQUEST. P/T-RATING SEE NOTE 1.	RMT
POS	ITEM DESCRIPTION	QTY	REMARK	SUPPLIER

RECOMMENDED D>150 [6].
MIN. D=50 [2] REQUIRES
SPECIAL CONFIG. SETTINGS.
MAX REC. H<(D+100) [D+4].

ENSURE PROBE HAS NO CONTACT
TO NOZZLE/TANK WALL.

ISSUED BY	WEEK	PRODUCT CODE	FILE	IDEAS	SCALE	DOC TYPE	DWG NO.	ISSUE	SHEET
GU-TK-RS	0311	3300			1:4		9150077-973	2	01/01
GU-HF	0319	9150077-973			1:4		9150077-973	2	01/01

ROSEMOUNT



MECHANICAL INSTALLATION DWG
RIGID SINGLE LEAD, SERIES 3300

THE COPYRIGHT/OWNERSHIP OF THIS DOCUMENT IS AND WILL REMAIN OURS. THE DOCUMENT MUST NOT BE USED WITHOUT OUR AUTHORIZATION OR BROUGHT TO THE KNOWLEDGE OF A THIRD PARTY. CONTRAVENTION WILL BE PROSECUTED. ROSEMOUNT TANK RADAR AB, SWEDEN.