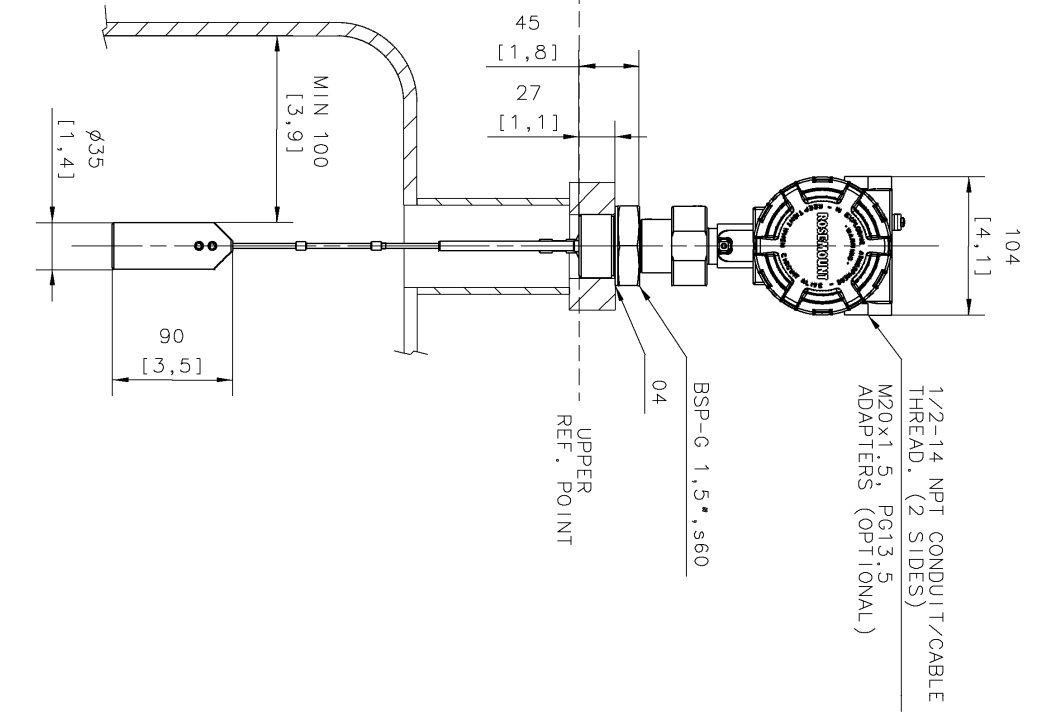


RECOMMENDED  $D > 100$  [4].  
 MIN.  $D = 50$  [2] REQUIRES  
 SPECIAL CONFIG. SETTINGS.  
 MAX REC.  $H < (D+100)$  [D+4].

DEPENDENT ON TURBULENCE IN TANK  
 AND MOUNTING ANGLE THE PROBE MAY  
 NEED TO BE ANCHORED OR SUPPORTED.  
 ENSURE MID PROBE HAS NO CONTACT  
 TO WALL. MIN DISTANCE 15 [0,6].



DEPENDENT ON TURBULENCE IN TANK  
 AND MOUNTING ANGLE THE PROBE MAY  
 NEED TO BE ANCHORED OR SUPPORTED.  
 ENSURE MID PROBE HAS NO CONTACT  
 TO WALL. MIN DISTANCE 15 [0,6].

FOR MORE INFO, SEE  
 REFERENCE MANUAL

POS	ITEM DESCRIPTION	QTY	REMARK	SUPPLIER
04	GASKET	1	ACC. TO BSP-G THREAD STD.	CUSTOMER
03	GASKET	1	SOFT GASKET T=MIN 1,6 (ANSI B16,5/1A, EN1514-1/1BC) SEE NOTE 1	CUSTOMER
02	SCREW/NUT/WASHER	-	ACC. TO FLANGE STD. SEE NOTE 1.	CUSTOMER
01	FLANGE	1	DIM. ACC. TO ANSI B 16.5/ EN 1092-1, OTHER ON REQUEST. P/T-RATING SEE NOTE 1.	RMT

ISSUED BY	WEEK	PRODUCT CODE	FILE	QTY	REMARK
GU-TK-RS	0218	3300	IDEAS	1	MECHANICAL INSTALLATION DWG
GU-HF	0220	9150077-971	SCALE	1:4	FLEXIBLE TWIN LEAD, SERIES 3300

DOC TYPE	DWG NO.	ISSUE	SHEET
2	9150077-971	3	01/01

1 P/T-RATING FOR FLANGE; SEE REF. MANUAL.