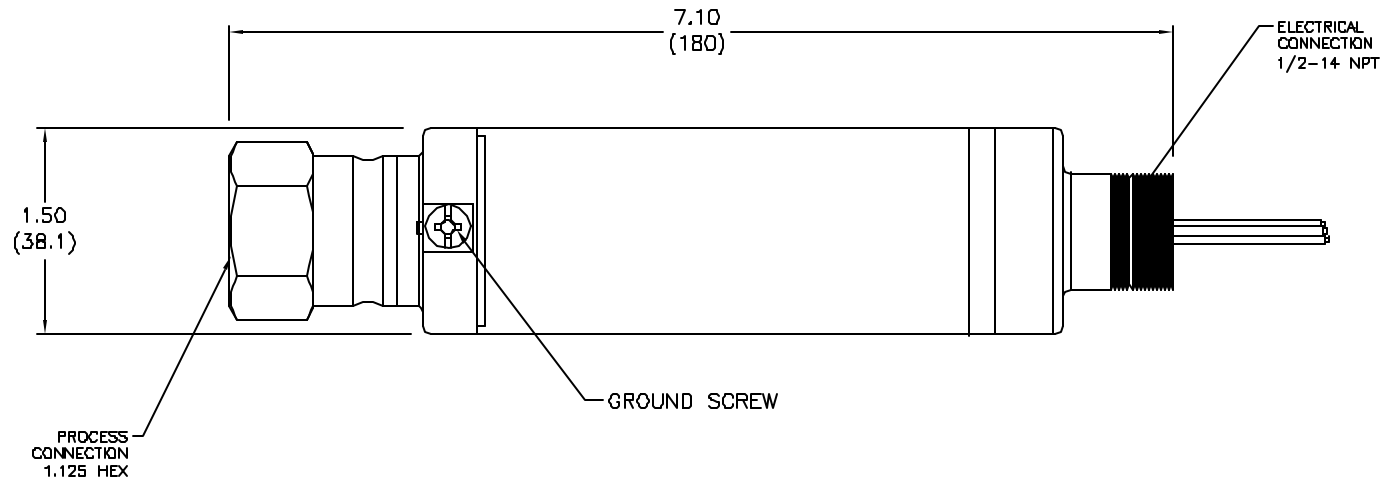
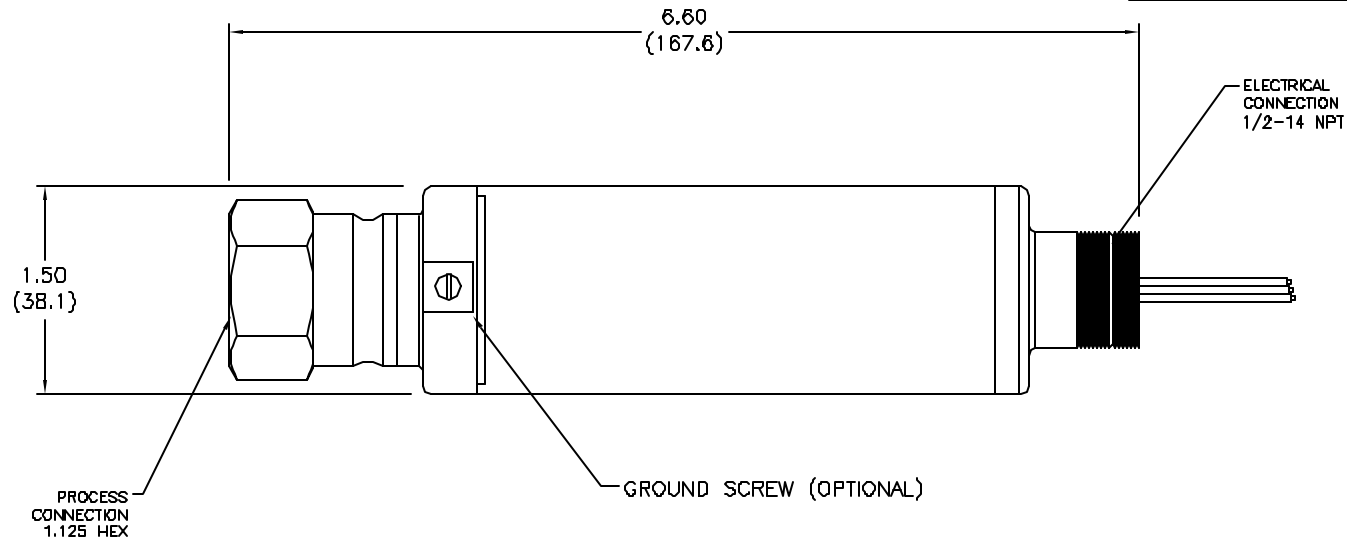


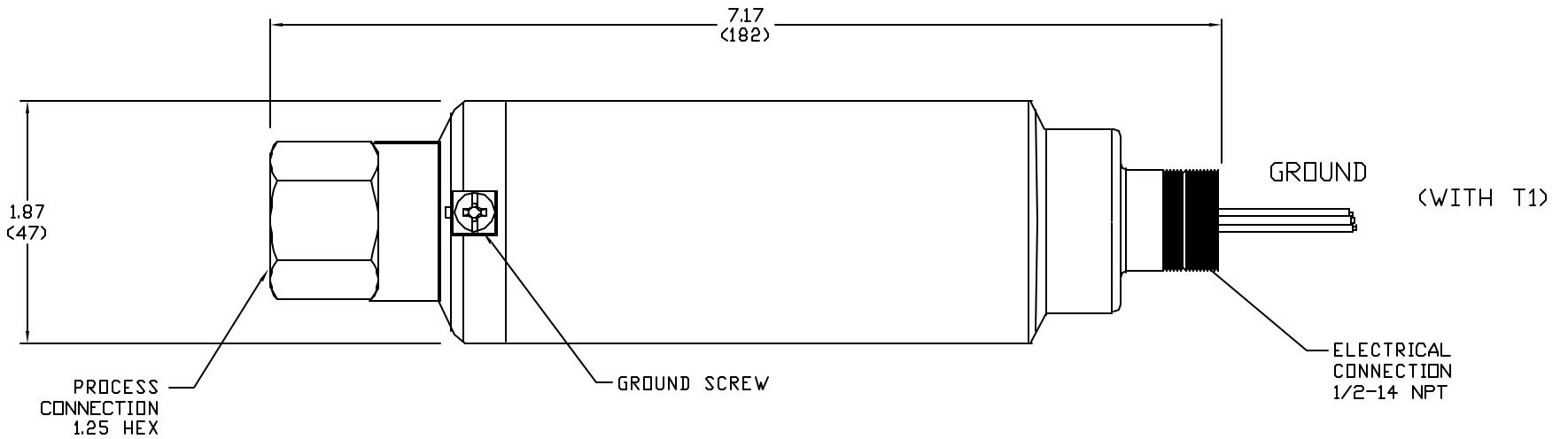
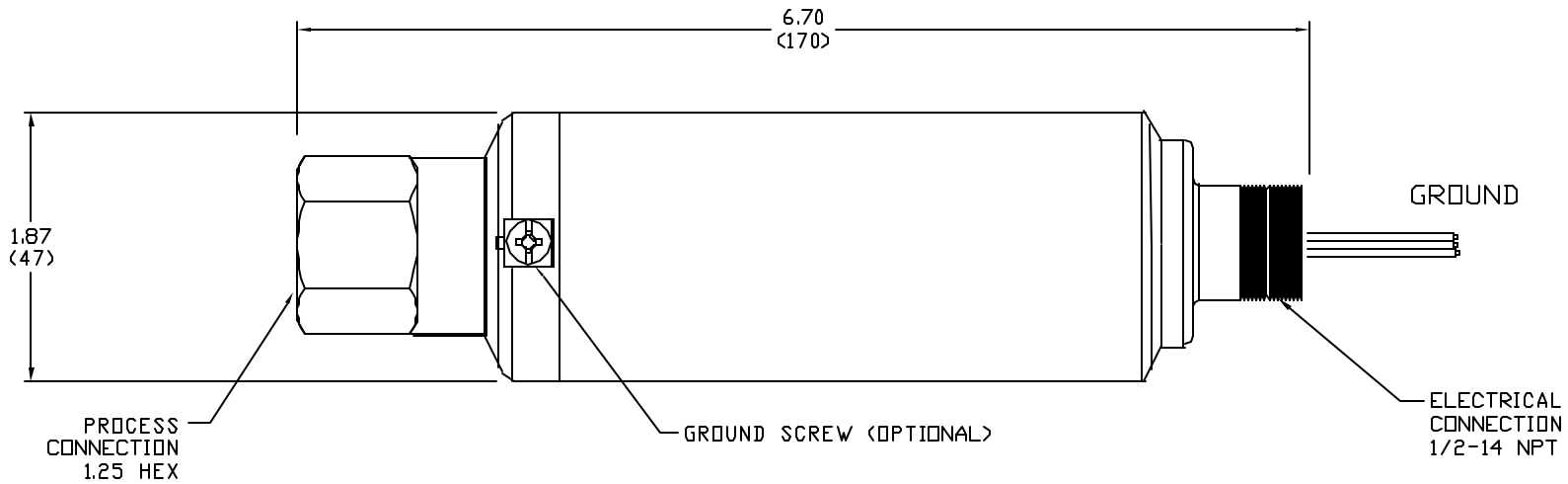
REVISIONS				
REV	DESCRIPTION	CHG.NO.	APP'D	DATE
AA	TYPE 1	RTG1015873	CM	7/25/03



(WITH T1)

<p>*UNLESS OTHERWISE SPECIFIED DIMENSIONS IN INCHES (MM)</p> <p>*ALL DIMENSIONS ARE NOMINAL AND ARE FOR REFERENCE ONLY</p>		<p>ROSEMOUNT® CHANHASSEN, MINNEBOTA</p>	
DR. JOHN ARMSTRONGS	8/28/03	TITLE	
APPROVAL		DIMENSIONAL DRAWING FOR	
APP. C. MCGUIRE	7/25/03	MODEL 4600 SERIES	
TAGGING		SIZE	FSCM.NO.
SPECIALS		A	DRAWING NO. 4620-6000
		SCALE: NONE	WT.
		SHEET 1 OF 2	





ROSEMOUNT®
CHANHASSEN, MINNESOTA

SIZE A	DRAWING NO. 4620-6000
SCALE:	SHEET 2 OF 2