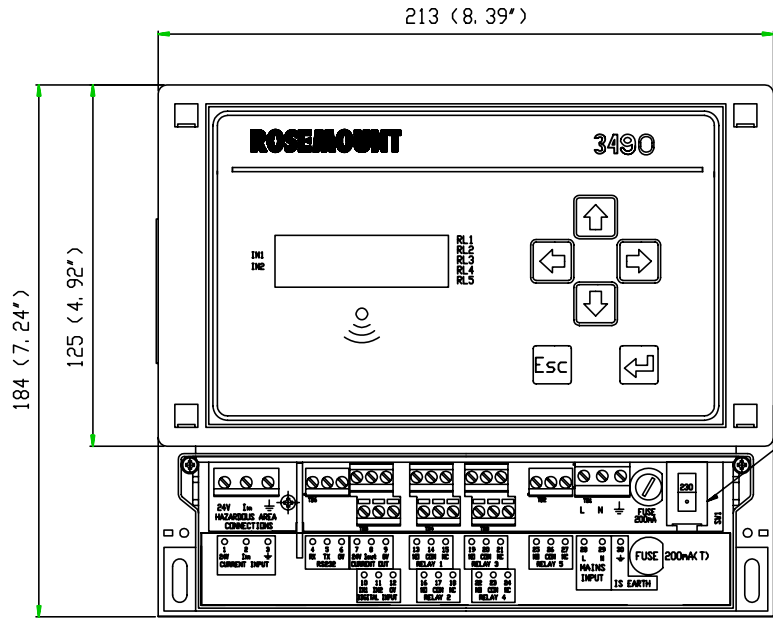
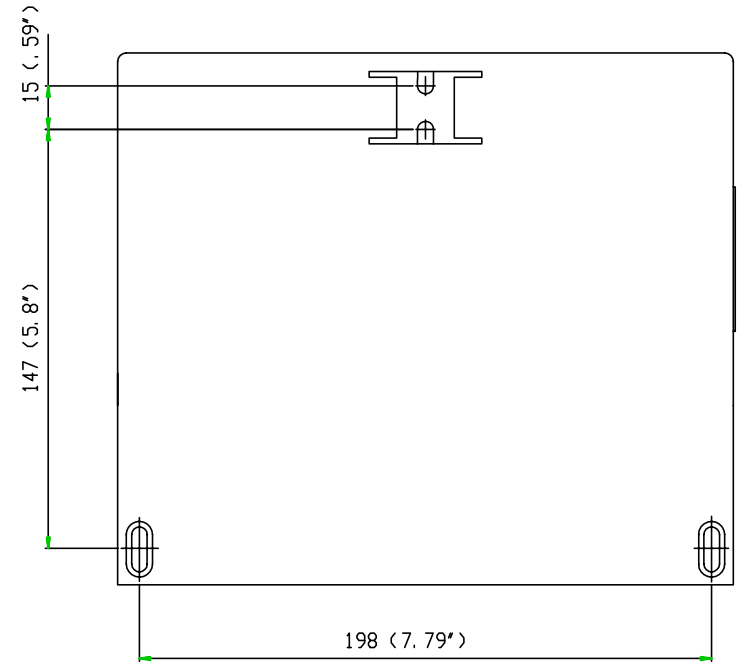
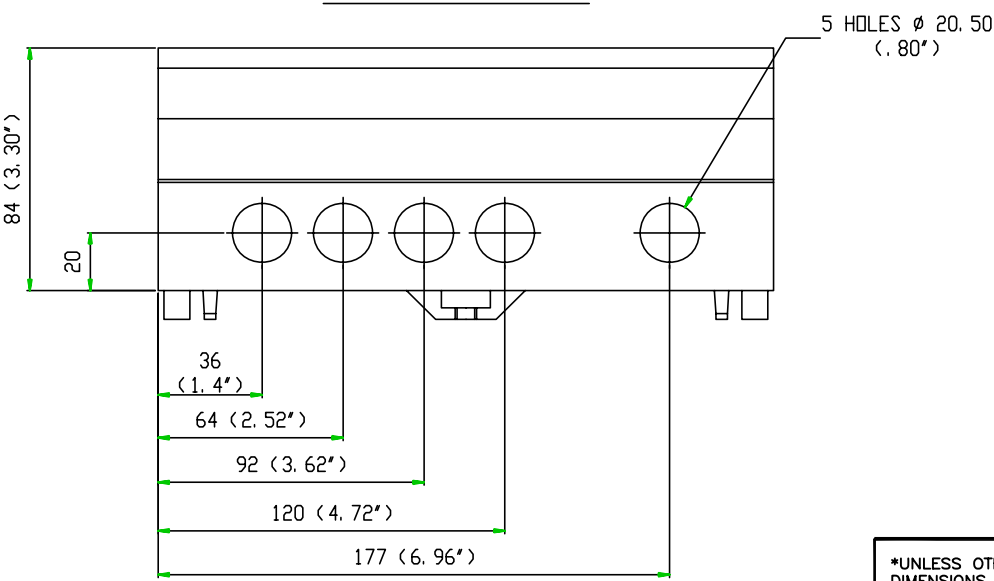



REVISIONS				
REV	DESCRIPTION	CHG.NO.	APP'D	DATE
AA	NEW RELEASE	RTC1014382	GGH	6/8/07



TERMINAL COVER REMOVED



 ©Emerson Process Management 2007	*UNLESS OTHERWISE SPECIFIED, DIMENSIONS IN MILLIMETERS (IN.)		TYPE I		<b>ROSEMOUNT</b> CHANHASSEN, MINNESOTA	
	DR. EG	12/18/02	TITLE			
	APP'D. DRAWING		WALL MOUNT CONTROL UNIT			
	APP'D. SPECIALS		SIZE A	DRAWING NO. 3490		SHEET 1 OF 1
			SCALE: NONE			