

THREAD	STANDARD LENGTH	MIN LENGTH E (M)	MAX LENGTH E (M)
3/4"	44mm (1.7")	95mm (3.8")	3000mm (118.1")
1"	44mm (1.7")	94mm (3.7")	3000mm (118.1")

© MOBREY LIMITED 2008
 THE REPRODUCTION, DISTRIBUTION & UTILISATION OF THIS DOCUMENT AS WELL AS THE COMMUNICATION OF ITS CONTENTS TO OTHERS WITHOUT EXPRESS AUTHORISATION IS PROHIBITED. OFFENDERS WILL BE HELD LIABLE FOR THE PAYMENT OF DAMAGES. ALL RIGHTS RESERVED IN THE EVENT OF GRANT OF PATENT, UTILITY MODEL OR DESIGN.

DIMENSIONS IN MILLIMETRES UNLESS OTHERWISE STATED

PROJECTION

MOBREY DRG. NO. 82966 ISSUE 1

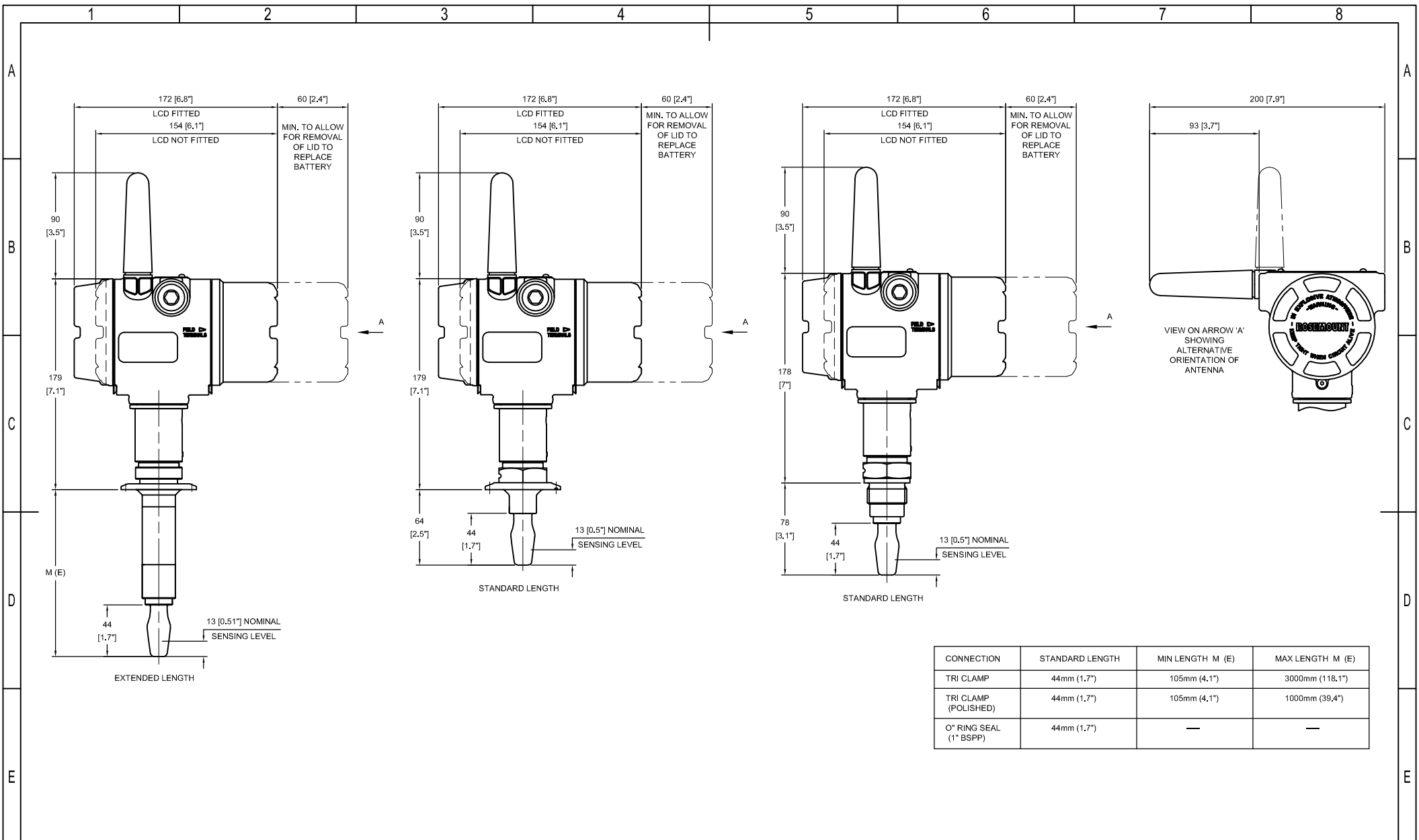
ISSUE TO CUSTOMER:
 CUSTOMER:
 CUSTOMER ORDER No:
 MOBREY ORDER No:
 CERTIFIED: _____ DATE: _____

PRINT MAY NOT BE TO SCALE STATED. IF IN DOUBT ABOUT DIMENSIONS THEN ASK. TO BS8888

mobrey
 TITLE 2160S THREAD TYPE

1 TAG Nos:
 ISS

A3 AutoCAD	SCALE 1:2.5	DRAWN DJS	DATE 28/07/09	DRG. NO.
------------	-------------	-----------	---------------	----------



© MOBREY LIMITED 2008
 THE REPRODUCTION, DISTRIBUTION & UTILISATION OF THIS DOCUMENT AS WELL AS THE COMMUNICATION OF ITS CONTENTS TO OTHERS WITHOUT EXPRESS AUTHORISATION IS PROHIBITED. OFFENDERS WILL BE HELD LIABLE FOR THE PAYMENT OF DAMAGES. ALL RIGHTS RESERVED IN THE EVENT OF GRANT OF PATENT, UTILITY MODEL OR DESIGN.

DIMENSIONS IN MILLIMETRES UNLESS OTHERWISE STATED

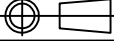
ISSUE TO CUSTOMER:

CUSTOMER:

CUSTOMER ORDER No:

MOBREY ORDER No:

CERTIFIED: _____ DATE: _____

PROJECTION 

PRINT MAY NOT BE TO SCALE STATED. IF IN DOUBT ABOUT DIMENSIONS THEN ASK.

TO BS8888

A3 AutoCAD SCALE 1:3

MOBREY DRG. NO. 82967 ISSUE 1

mobrey

TITLE 2160S HYGIENIC TYPE

DRAWN DATE DRG. NO.

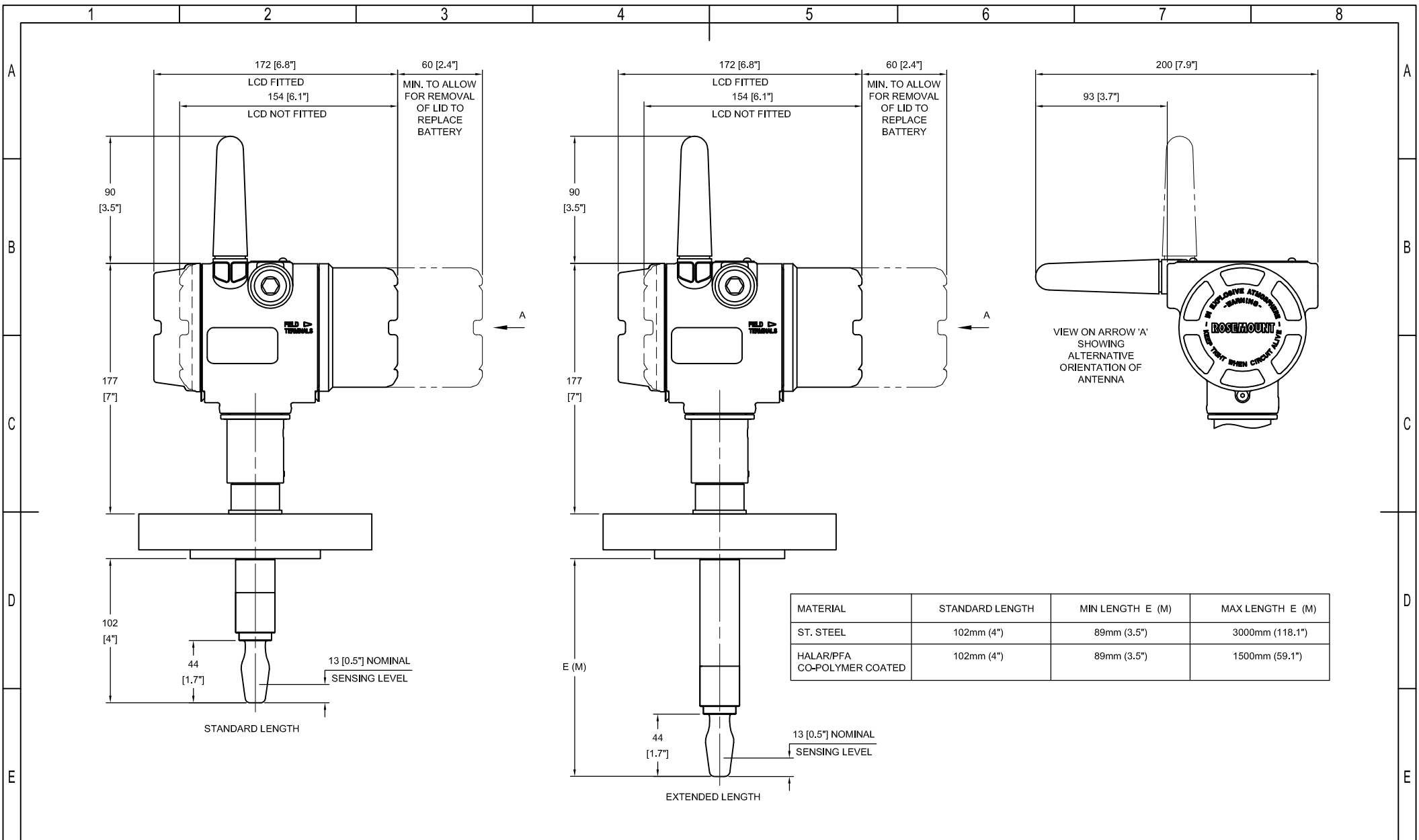
DJS 28/07/09 _____

SHEET: 1

1 TAG Nos:
ISS

F

F



© MOBREY LIMITED 2008
 THE REPRODUCTION, DISTRIBUTION & UTILISATION OF THIS DOCUMENT AS WELL AS THE COMMUNICATION OF ITS CONTENTS TO OTHERS WITHOUT EXPRESS AUTHORISATION IS PROHIBITED. OFFENDERS WILL BE HELD LIABLE FOR THE PAYMENT OF DAMAGES. ALL RIGHTS RESERVED IN THE EVENT OF GRANT OF PATENT, UTILITY MODEL OR DESIGN.

DIMENSIONS IN MILLIMETRES UNLESS OTHERWISE STATED

ISSUE TO CUSTOMER:

CUSTOMER:

CUSTOMER ORDER No:

MOBREY ORDER No:

CERTIFIED: _____ DATE: _____

PROJECTION

PRINT MAY NOT BE TO SCALE STATED. IF IN DOUBT ABOUT DIMENSIONS THEN ASK. TO BS8888

A3 AutoCAD

SCALE 1:2.5

MOBREY DRG. NO. 82968 ISSUE 1



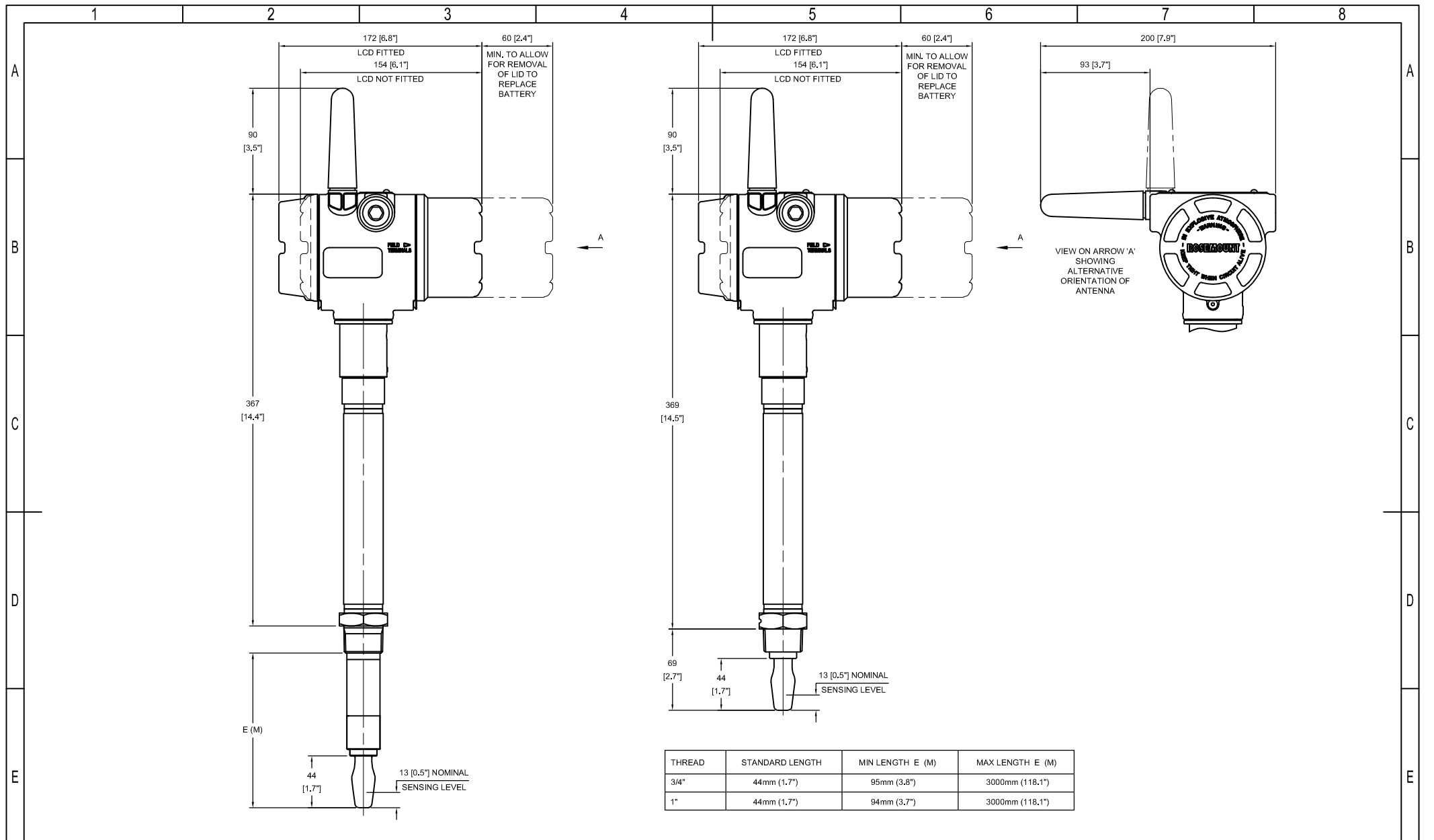
TITLE 2160S FLANGE TYPE

1 TAG Nos:

ISS

DRAWN	DATE	DRG. NO.
DJS	28/07/09	

SHEET: 1



© MOBREY LIMITED 2008
 THE REPRODUCTION, DISTRIBUTION & UTILISATION OF THIS DOCUMENT AS WELL AS THE COMMUNICATION OF ITS CONTENTS TO OTHERS WITHOUT EXPRESS AUTHORISATION IS PROHIBITED. OFFENDERS WILL BE HELD LIABLE FOR THE PAYMENT OF DAMAGES. ALL RIGHTS RESERVED IN THE EVENT OF GRANT OF PATENT, UTILITY MODEL OR DESIGN.

DIMENSIONS IN MILLIMETRES UNLESS OTHERWISE STATED

PROJECTION

MOBREY DRG. NO. 82969 ISSUE 1

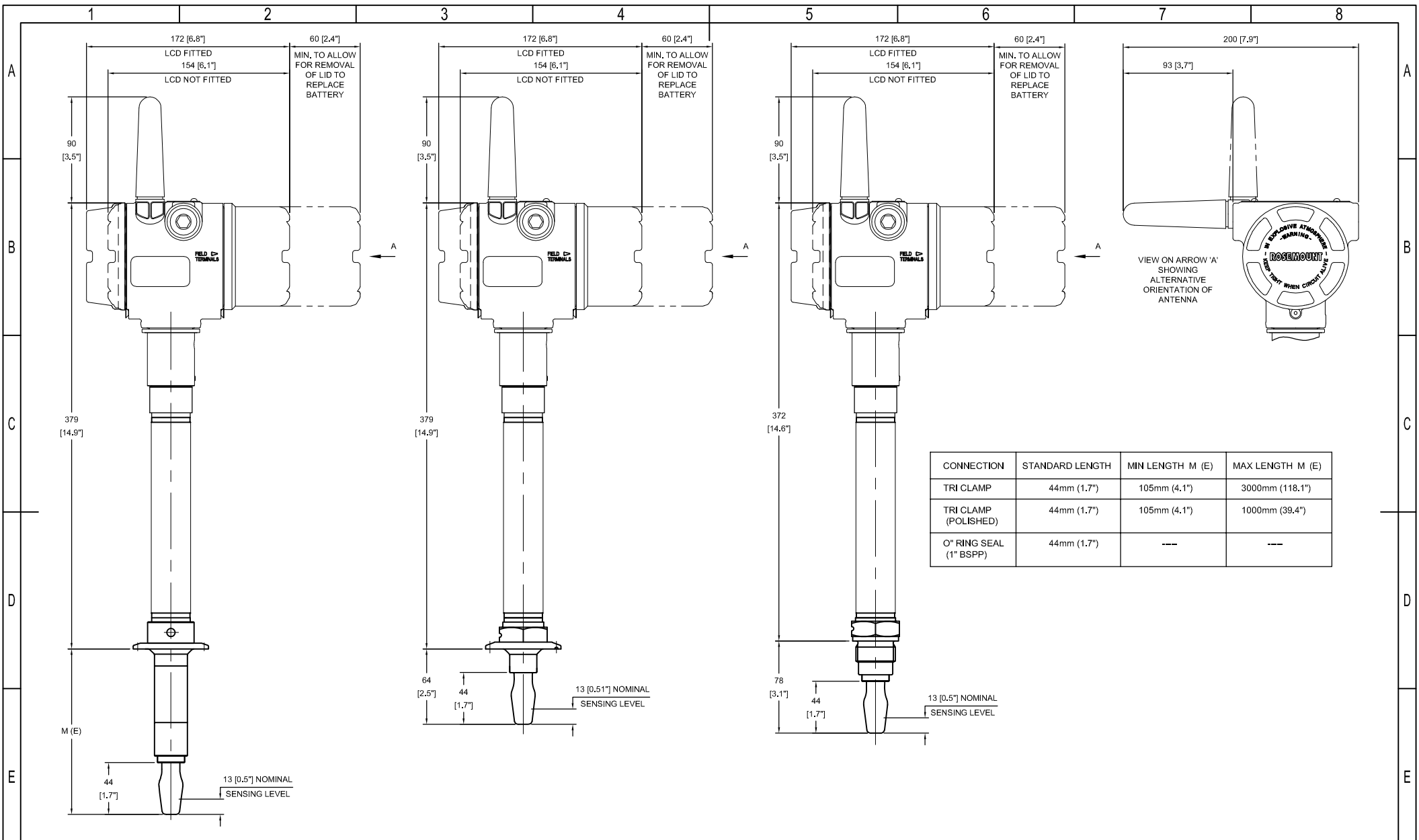
ISSUE TO CUSTOMER:
 CUSTOMER:
 CUSTOMER ORDER No:
 MOBREY ORDER No:
 CERTIFIED: _____ DATE: _____

PRINT MAY NOT BE TO SCALE STATED. IF IN DOUBT ABOUT DIMENSIONS THEN ASK. TO BS8888

mobrey
 TITLE 2160E THREAD TYPE

1 TAG Nos:
 ISS

A3 AutoCAD SCALE 1:3 DRAWN DJS DATE 28/07/09 DRG. NO. SHEET: 1



© MOBREY LIMITED 2008
THE REPRODUCTION, DISTRIBUTION & UTILISATION OF THIS DOCUMENT AS WELL AS THE COMMUNICATION OF ITS CONTENTS TO OTHERS WITHOUT EXPRESS AUTHORISATION IS PROHIBITED. OFFENDERS WILL BE HELD LIABLE FOR THE PAYMENT OF DAMAGES. ALL RIGHTS RESERVED IN THE EVENT OF PATENT, UTILITY MODEL OR DESIGN.

DIMENSIONS IN MILLIMETRES UNLESS OTHERWISE STATED

PROJECTION

MOBREY DRG. NO. 82970 ISSUE 1

ISSUE TO CUSTOMER:

PRINT MAY NOT BE TO SCALE STATED. IF IN DOUBT ABOUT DIMENSIONS THEN ASK. TO BS8888

mobrey

CUSTOMER:

TITLE **2160E HYGIENIC TYPE**

CUSTOMER ORDER No:

MOBREY ORDER No:

A3 AutoCAD

SCALE 1:3

DRAWN DJS

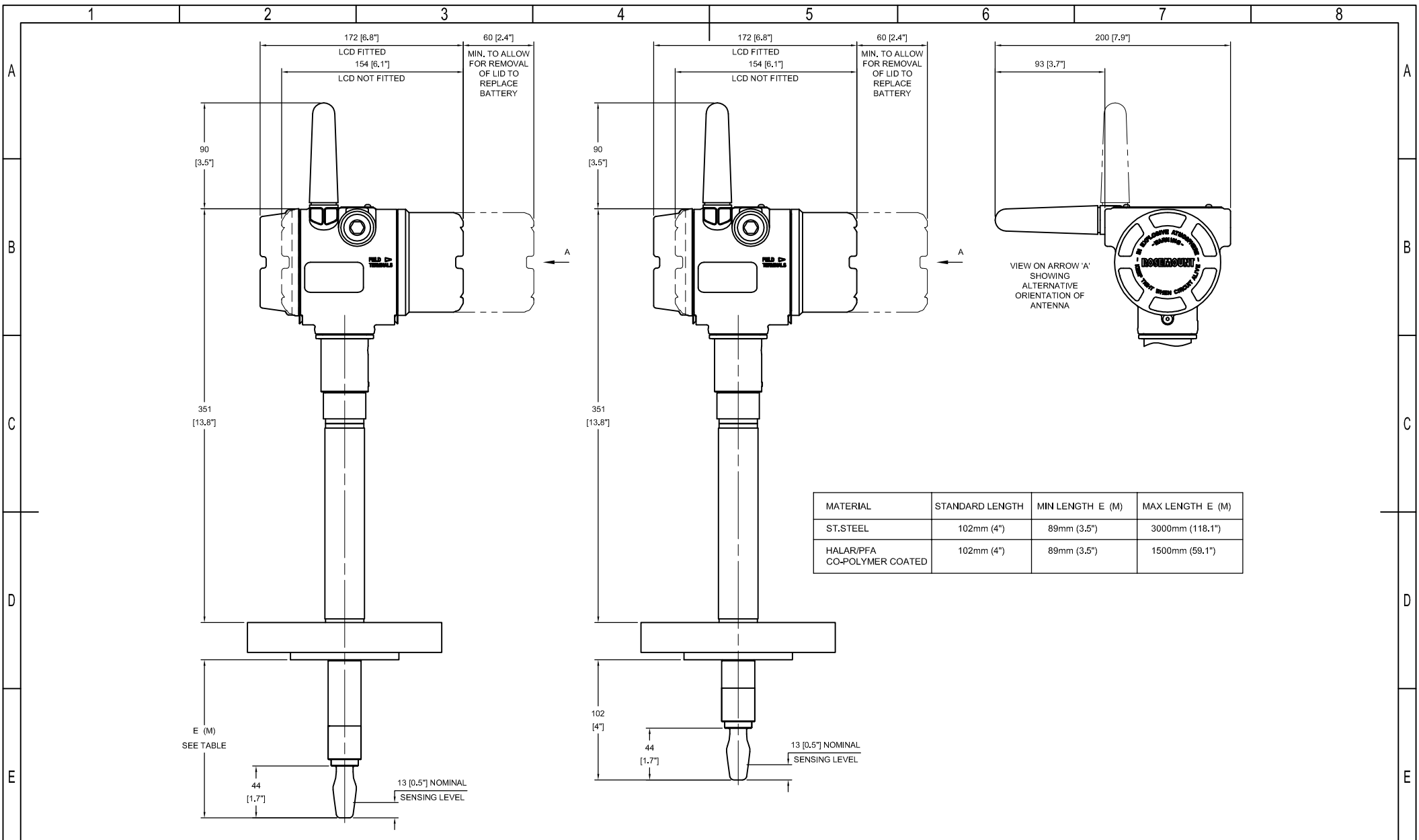
DATE 28/07/09

DRG. NO.

CERTIFIED: DATE:

SHEET: 1

1 TAG Nos:
ISS



© MOBREY LIMITED 2008
 THE REPRODUCTION, DISTRIBUTION & UTILISATION OF THIS DOCUMENT AS WELL AS THE COMMUNICATION OF ITS CONTENTS TO OTHERS WITHOUT EXPRESS AUTHORIZATION IS PROHIBITED. OFFENDERS WILL BE HELD LIABLE FOR THE PAYMENT OF DAMAGES. ALL RIGHTS RESERVED IN THE EVENT OF GRANT OF PATENT, UTILITY MODEL OR DESIGN.

DIMENSIONS IN MILLIMETRES UNLESS OTHERWISE STATED

PROJECTION

MOBREY DRG. NO. 82971 ISSUE 1

ISSUE TO CUSTOMER:

PRINT MAY NOT BE TO SCALE STATED.

mobrey

CUSTOMER:

IF IN DOUBT ABOUT DIMENSIONS THEN ASK.

TITLE **2160E FLANGE TYPE**

1 TAG Nos:
ISS

CUSTOMER ORDER No:

TO BS8888

MOBREY ORDER No:

A3 SCALE

DRAWN

DATE

DRG. NO.

CERTIFIED:

AutoCAD

1:3

DJS

28/07/09

SHEET: 1