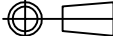


© MOBREY LIMITED 2010
 THE REPRODUCTION, DISTRIBUTION & UTILISATION OF THIS DOCUMENT AS WELL AS THE COMMUNICATION OF ITS CONTENTS TO OTHERS WITHOUT EXPRESS AUTHORISATION IS PROHIBITED. OFFENDERS WILL BE HELD LIABLE FOR THE PAYMENT OF DAMAGES. ALL RIGHTS RESERVED IN THE EVENT OF GRANT OF PATENT, UTILITY MODEL OR DESIGN.

DIMENSIONS IN INCHES (MILLIMETRES)

| | |
|--------------------|--|
| ISSUE TO CUSTOMER: | PROJECTION  |
| CUSTOMER: | |
| CUSTOMER ORDER No: | |
| MOBREY ORDER No: | |
| CERTIFIED: | |

PRINT MAY NOT BE TO SCALE STATED. IF IN DOUBT ABOUT DIMENSIONS THEN ASK. TO BS8888

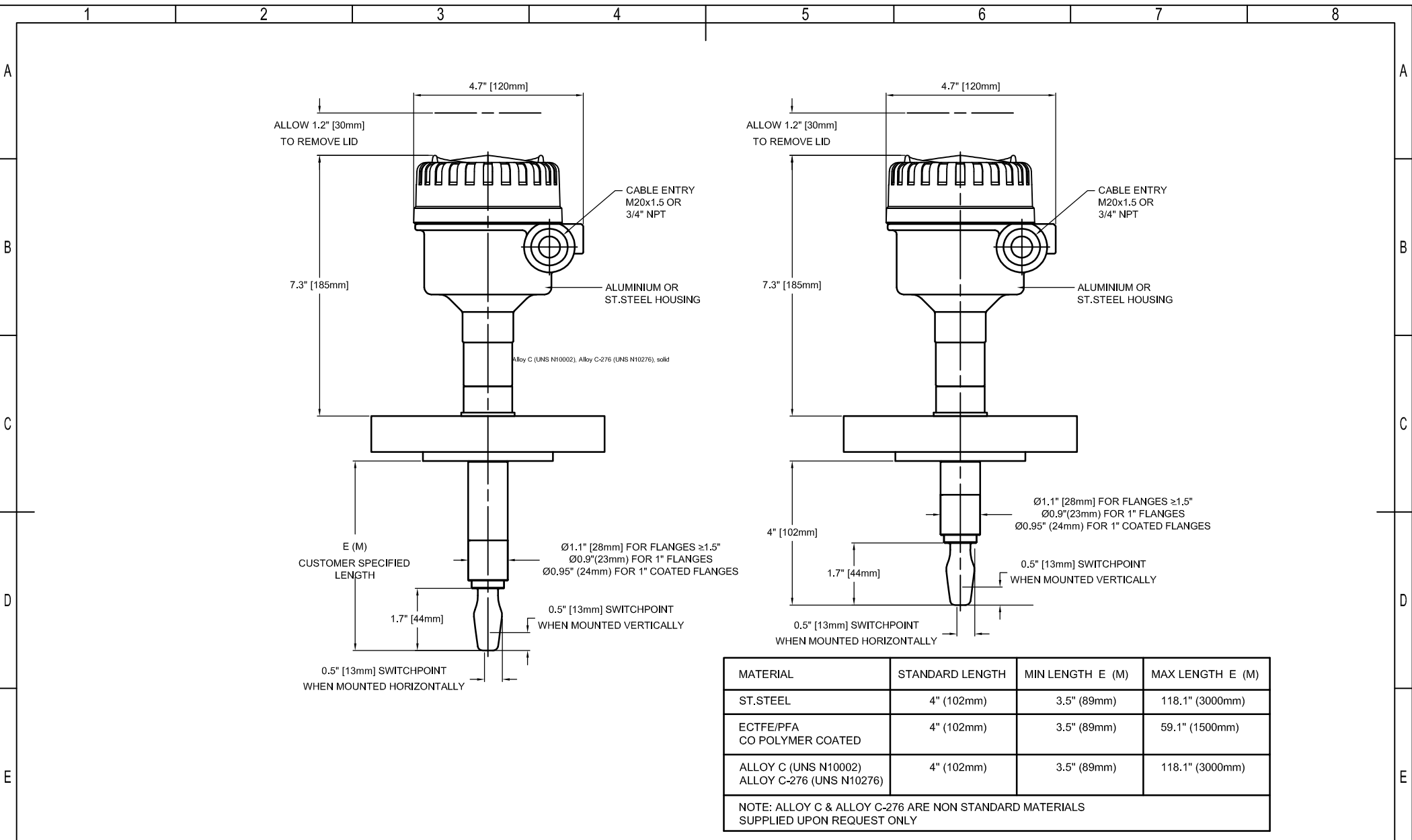
MOBREY DRAWING No. 83047 ISSUE 1



TITLE **2130M THREAD TYPE, METAL HOUSING TYPE 1 DRAWING**

| |
|----------|
| TAG Nos: |
| ISS |

| | | | | |
|------------|-------------|----------|-------------|----------|
| A3 AutoCAD | SCALE 1:2.5 | DRAWN GP | DATE 7/4/10 | DRG. NO. |
|------------|-------------|----------|-------------|----------|



© MOBREY LIMITED 2010
 THE REPRODUCTION, DISTRIBUTION & UTILISATION OF THIS DOCUMENT AS WELL AS THE COMMUNICATION OF ITS CONTENTS TO OTHERS WITHOUT EXPRESS AUTHORISATION IS PROHIBITED. OFFENDERS WILL BE HELD LIABLE FOR THE PAYMENT OF DAMAGES. ALL RIGHTS RESERVED IN THE EVENT OF GRANT OF PATENT, UTILITY MODEL OR DESIGN.

DIMENSIONS IN INCHES (MILLIMETRES)

ISSUE TO CUSTOMER:
 CUSTOMER:
 CUSTOMER ORDER No:
 MOBREY ORDER No:
 CERTIFIED: _____ DATE: _____

PROJECTION

PRINT MAY NOT BE TO SCALE STATED. IF IN DOUBT ABOUT DIMENSIONS THEN ASK TO BS8888

A3
AutoCAD

SCALE
1:2.5

DRAWN
GP

DATE
7/4/10

DRG. NO.

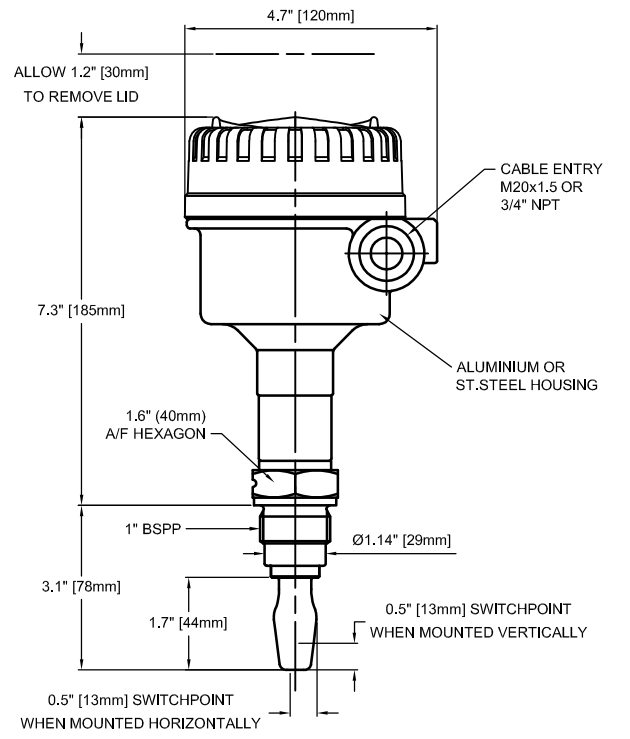
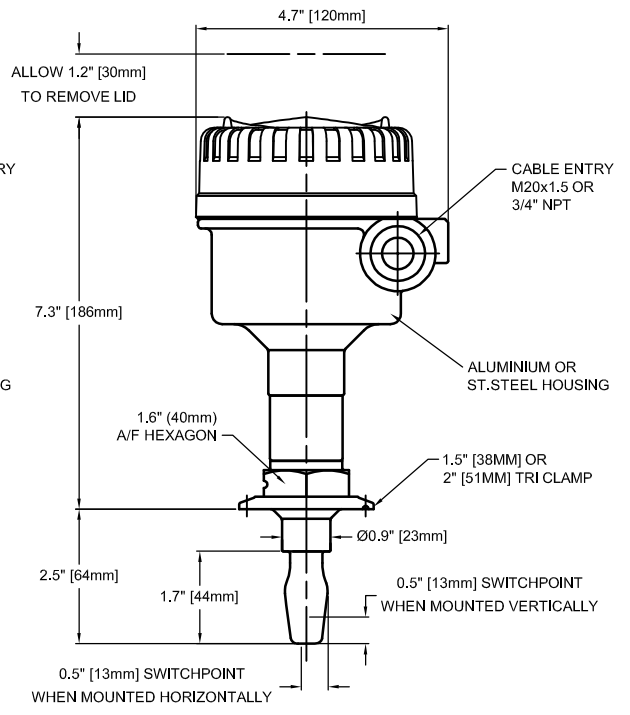
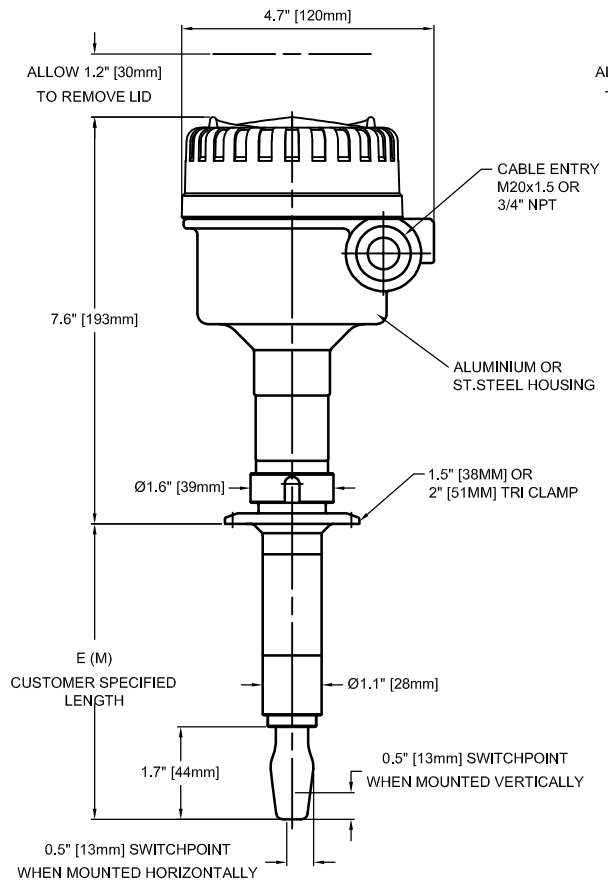
MOBREY DRAWING No. 83048 ISSUE 1



TITLE
**2130M FLANGE TYPE, METAL HOUSING
 TYPE 1 DRAWING**

TAG Nos:

ISS



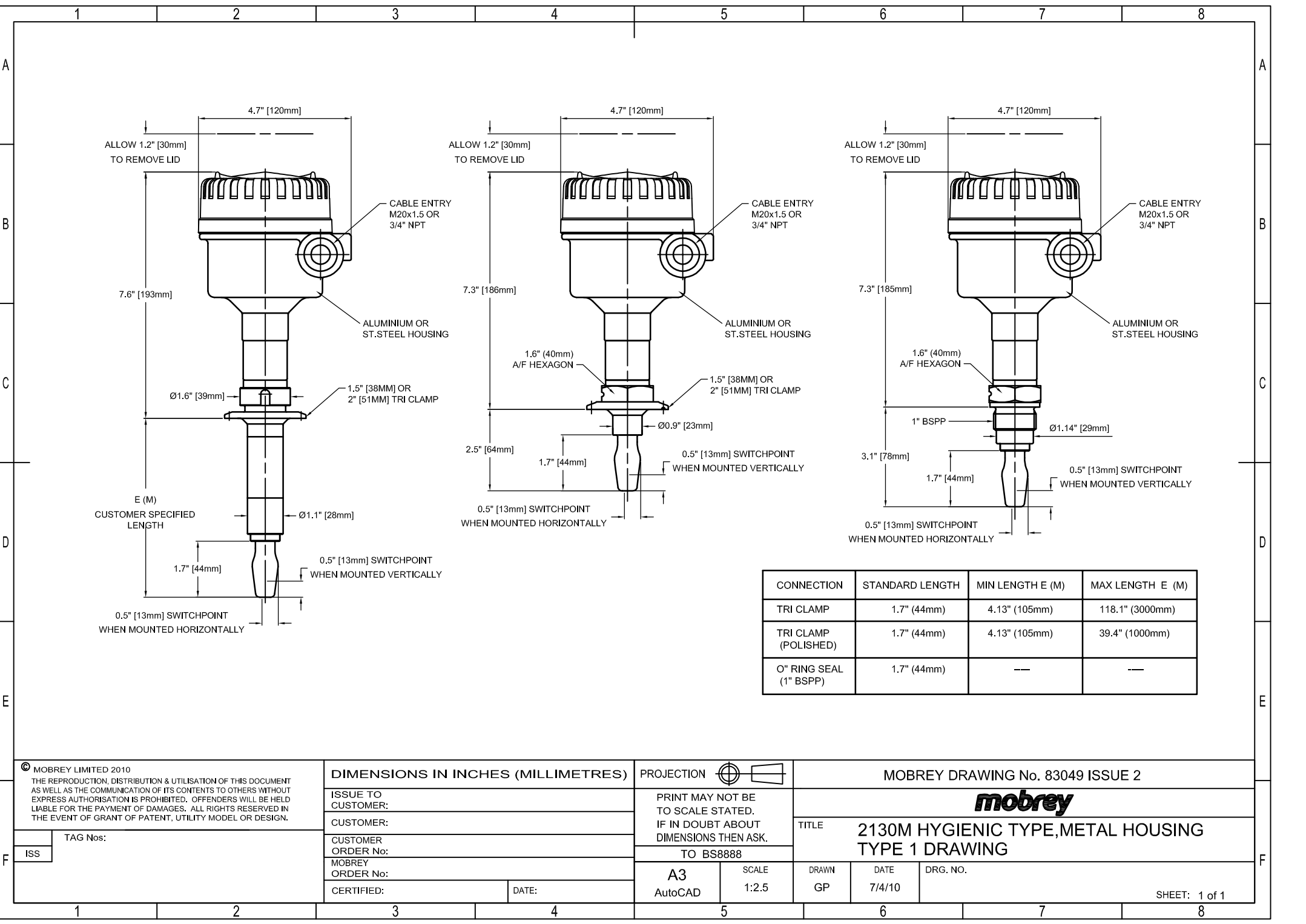
| CONNECTION | STANDARD LENGTH | MIN LENGTH E (M) | MAX LENGTH E (M) |
|------------------------|-----------------|------------------|------------------|
| TRI CLAMP | 1.7" (44mm) | 4.13" (105mm) | 118.1" (3000mm) |
| TRI CLAMP (POLISHED) | 1.7" (44mm) | 4.13" (105mm) | 39.4" (1000mm) |
| O" RING SEAL (1" BSPP) | 1.7" (44mm) | --- | --- |

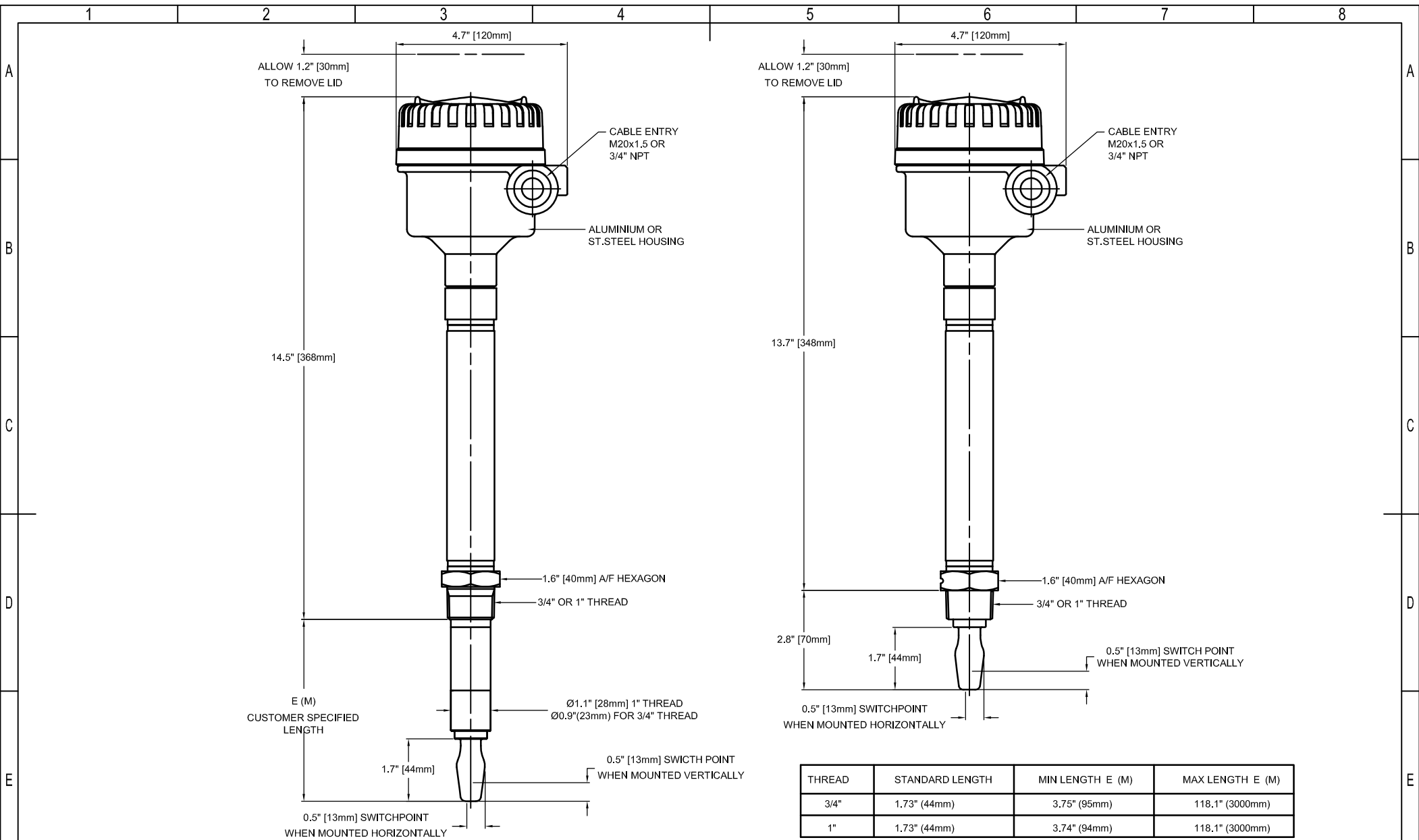
© MOBREY LIMITED 2010
 THE REPRODUCTION, DISTRIBUTION & UTILISATION OF THIS DOCUMENT AS WELL AS THE COMMUNICATION OF ITS CONTENTS TO OTHERS WITHOUT EXPRESS AUTHORISATION IS PROHIBITED. OFFENDERS WILL BE HELD LIABLE FOR THE PAYMENT OF DAMAGES. ALL RIGHTS RESERVED IN THE EVENT OF GRANT OF PATENT, UTILITY MODEL OR DESIGN.

| | |
|------------------------------------|-------|
| DIMENSIONS IN INCHES (MILLIMETRES) | |
| ISSUE TO CUSTOMER: | |
| CUSTOMER: | |
| CUSTOMER ORDER No: | |
| MOBREY ORDER No: | |
| CERTIFIED: | DATE: |

| | |
|--|-------------|
| PROJECTION | |
| PRINT MAY NOT BE TO SCALE STATED. IF IN DOUBT ABOUT DIMENSIONS THEN ASK. TO BS8888 | |
| A3 AutoCAD | SCALE 1:2.5 |

| | | | | |
|---|-------------|----------|--|--|
| MOBREY DRAWING No. 83049 ISSUE 2 | | | | |
| | | | | |
| TITLE 2130M HYGIENIC TYPE, METAL HOUSING TYPE 1 DRAWING | | | | |
| DRAWN GP | DATE 7/4/10 | DRG. NO. | | |
| SHEET: 1 of 1 | | | | |





| THREAD | STANDARD LENGTH | MIN LENGTH E (M) | MAX LENGTH E (M) |
|--------|-----------------|------------------|------------------|
| 3/4" | 1.73" (44mm) | 3.75" (95mm) | 118.1" (3000mm) |
| 1" | 1.73" (44mm) | 3.74" (94mm) | 118.1" (3000mm) |

© MOBREY LIMITED 2010
 THE REPRODUCTION, DISTRIBUTION & UTILISATION OF THIS DOCUMENT AS WELL AS THE COMMUNICATION OF ITS CONTENTS TO OTHERS WITHOUT EXPRESS AUTHORISATION IS PROHIBITED. OFFENDERS WILL BE HELD LIABLE FOR THE PAYMENT OF DAMAGES. ALL RIGHTS RESERVED IN THE EVENT OF GRANT OF PATENT, UTILITY MODEL OR DESIGN.

DIMENSIONS IN INCHES (MILLIMETRES)

ISSUE TO CUSTOMER:
 CUSTOMER:
 CUSTOMER ORDER No:
 MOBREY ORDER No:
 CERTIFIED: _____ DATE: _____

PROJECTION

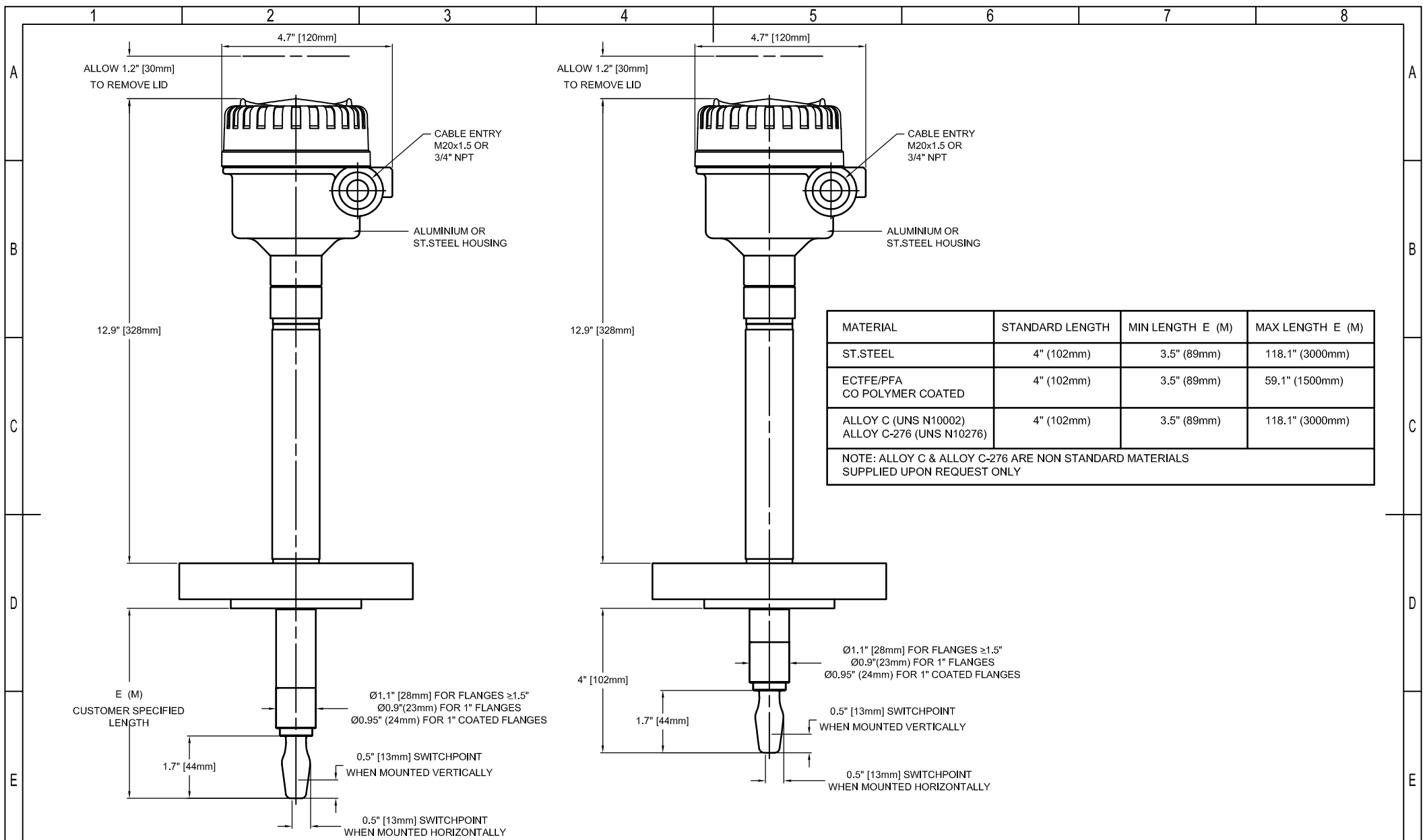
PRINT MAY NOT BE TO SCALE STATED. IF IN DOUBT ABOUT DIMENSIONS THEN ASK TO BS8888
 A3 AutoCAD SCALE 1:2.5

MOBREY DRAWING No. 83050 ISSUE 1



TITLE **2130E THREAD TYPE, METAL HOUSING TYPE 1 DRAWING**

DRAWN GP DATE 26/4/10 DRG. NO.



| MATERIAL | STANDARD LENGTH | MIN LENGTH E (M) | MAX LENGTH E (M) |
|--|-----------------|------------------|------------------|
| ST.STEEL | 4" (102mm) | 3.5" (89mm) | 118.1" (3000mm) |
| ECTFE/PFA CO POLYMER COATED | 4" (102mm) | 3.5" (89mm) | 59.1" (1500mm) |
| ALLOY C (UNS N10002) ALLOY C-276 (UNS N10276) | 4" (102mm) | 3.5" (89mm) | 118.1" (3000mm) |

NOTE: ALLOY C & ALLOY C-276 ARE NON STANDARD MATERIALS SUPPLIED UPON REQUEST ONLY

© MOBREY LIMITED 2010
 THE REPRODUCTION, DISTRIBUTION & UTILISATION OF THIS DOCUMENT AS WELL AS THE COMMUNICATION OF ITS CONTENTS TO OTHERS WITHOUT EXPRESS AUTHORISATION IS PROHIBITED. OFFENDERS WILL BE HELD LIABLE FOR THE PAYMENT OF DAMAGES. ALL RIGHTS RESERVED IN THE EVENT OF GRANT OF PATENT, UTILITY MODEL OR DESIGN.

TAG Nos:
 ISS

| DIMENSIONS IN INCHES (MILLIMETRES) | |
|------------------------------------|-------|
| ISSUE TO CUSTOMER: | |
| CUSTOMER: | |
| CUSTOMER ORDER No: | |
| MOBREY ORDER No: | |
| CERTIFIED: | DATE: |

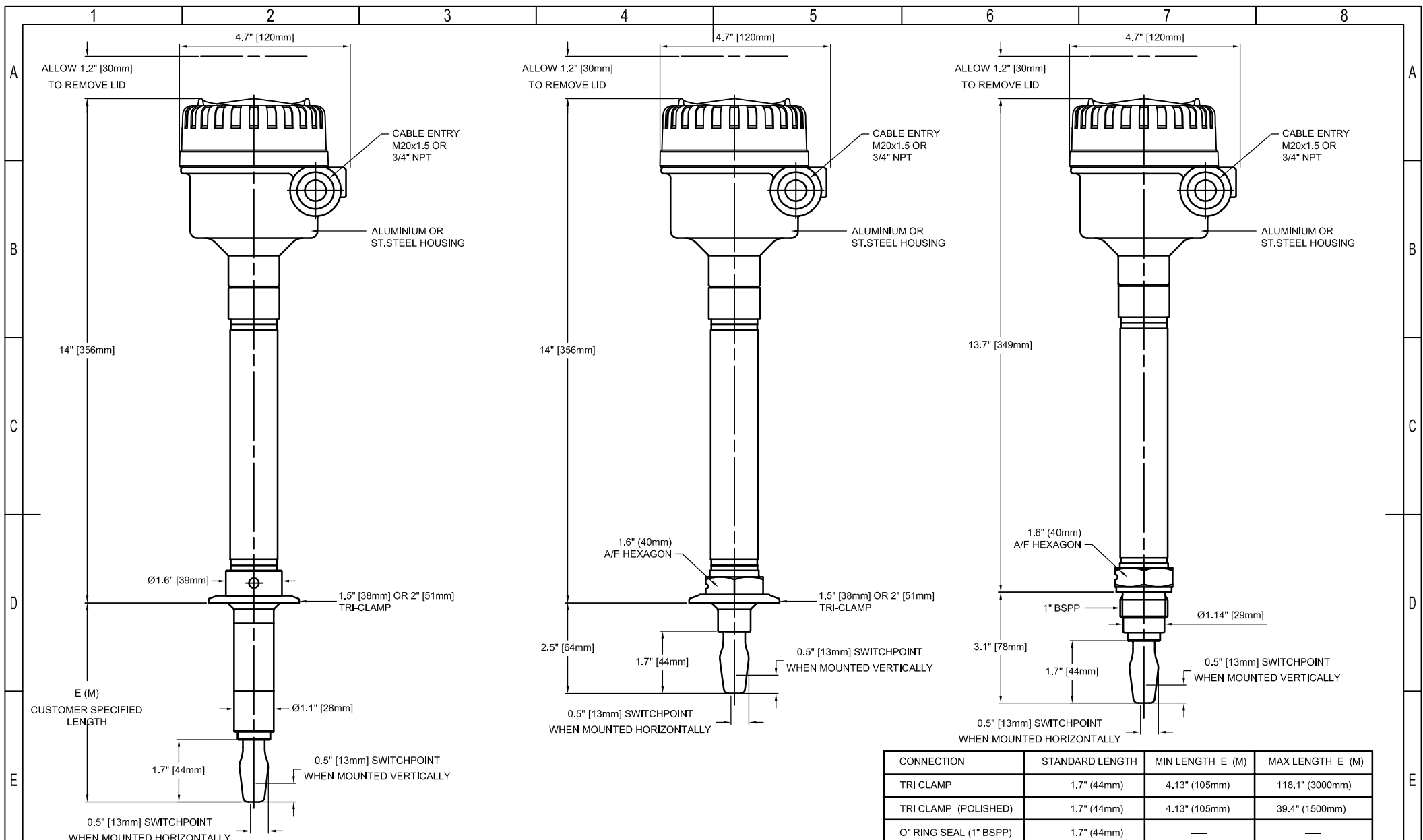
PROJECTION

PRINT MAY NOT BE TO SCALE STATED. IF IN DOUBT ABOUT DIMENSIONS THEN ASK TO BS8888

A3
AutoCAD

SCALE
1:2.5

| | | | | |
|---|-----------------|----------|--|--|
| MOBREY DRAWING No. 83051 ISSUE 1 | | | | |
| | | | | |
| TITLE 2130E FLANGE TYPE, METAL HOUSING TYPE 1 DRAWING | | | | |
| DRAWN GP | DATE 26/4/10 | DRG. NO. | | |
| SHEET: 1 of 1 | | | | |



© MOBREY LIMITED 2010
 THE REPRODUCTION, DISTRIBUTION & UTILISATION OF THIS DOCUMENT AS WELL AS THE COMMUNICATION OF ITS CONTENTS TO OTHERS WITHOUT EXPRESS AUTHORISATION IS PROHIBITED. OFFENDERS WILL BE HELD LIABLE FOR THE PAYMENT OF DAMAGES. ALL RIGHTS RESERVED IN THE EVENT OF GRANT OF PATENT, UTILITY MODEL OR DESIGN.

DIMENSIONS IN INCHES (MILLIMETRES)

ISSUE TO CUSTOMER:
 CUSTOMER:
 CUSTOMER ORDER No:
 MOBREY ORDER No:
 CERTIFIED: _____ DATE: _____

PROJECTION

PRINT MAY NOT BE TO SCALE STATED. IF IN DOUBT ABOUT DIMENSIONS THEN ASK. TO BS8888
 A3 AutoCAD SCALE 1:2.5
 DRAWN GP DATE 26/4/10 DRG. NO. _____

MOBREY DRAWING No. 83052 ISSUE 2



2130E HYGIENIC TYPE, METAL HOUSING TYPE 1 DRAWING