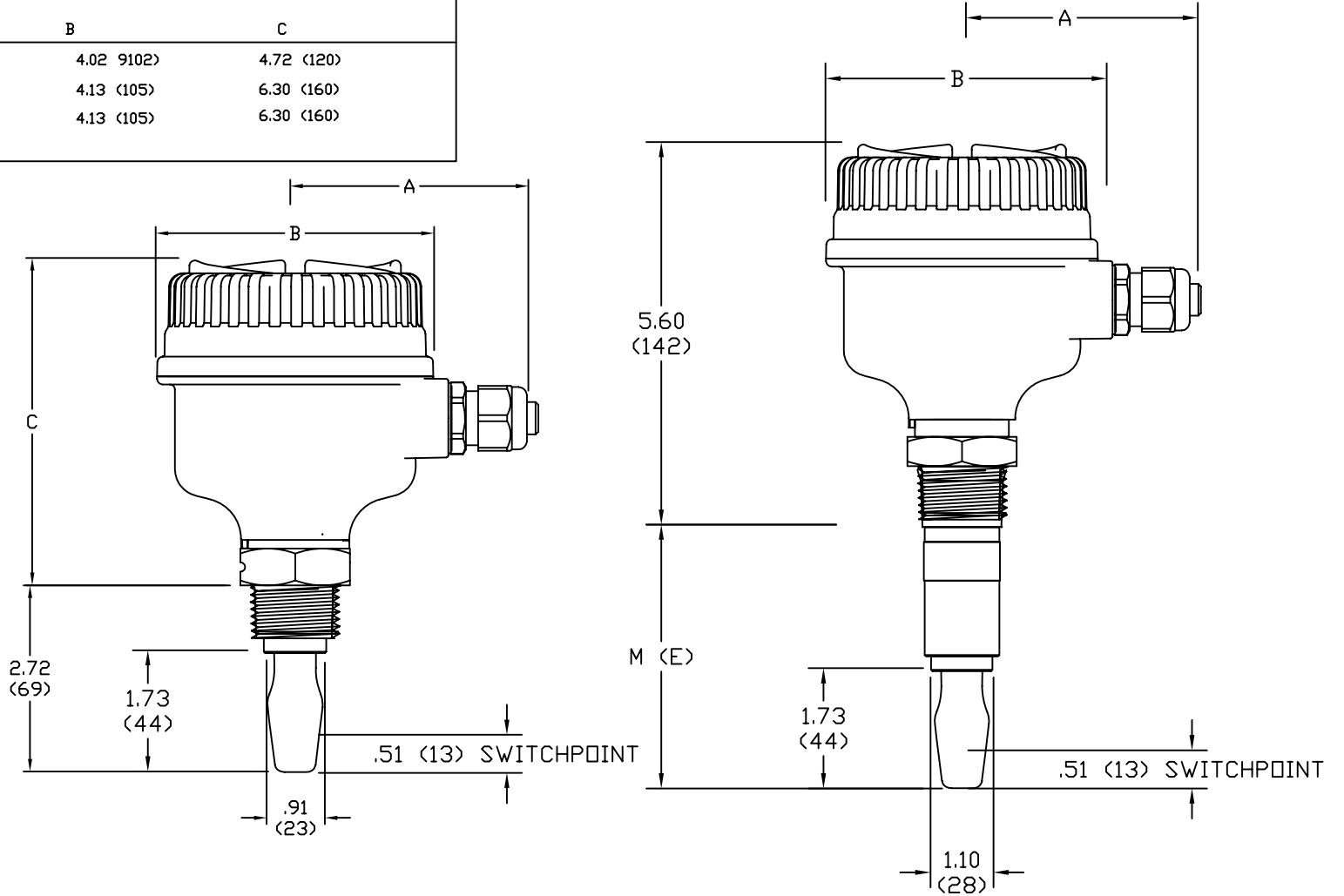


THREAD	STANDARD LENGTH	MIN. LENGTH M (E)	MAX. LENGTH M (E)
3/4-IN.	1.73 (44)	3.74 (95)	118.11 (3000)
1-IN.	1.73 (44)	3.70 (94)	118.11 (3000)

MATERIAL	A	B	C
GLASS NYLON	3.52 (90)	4.02 (102)	4.72 (120)
ALUMINUM	2.76 (70)	4.13 (105)	6.30 (160)
316 STAINLESS STEEL	2.76 (70)	4.13 (105)	6.30 (160)

REVISIONS				
REV	DESCRIPTION	CHG.NO.	APP'D	DATE
AA	NEW RELEASE		JA	7/27/05

THREADED MOUNTING

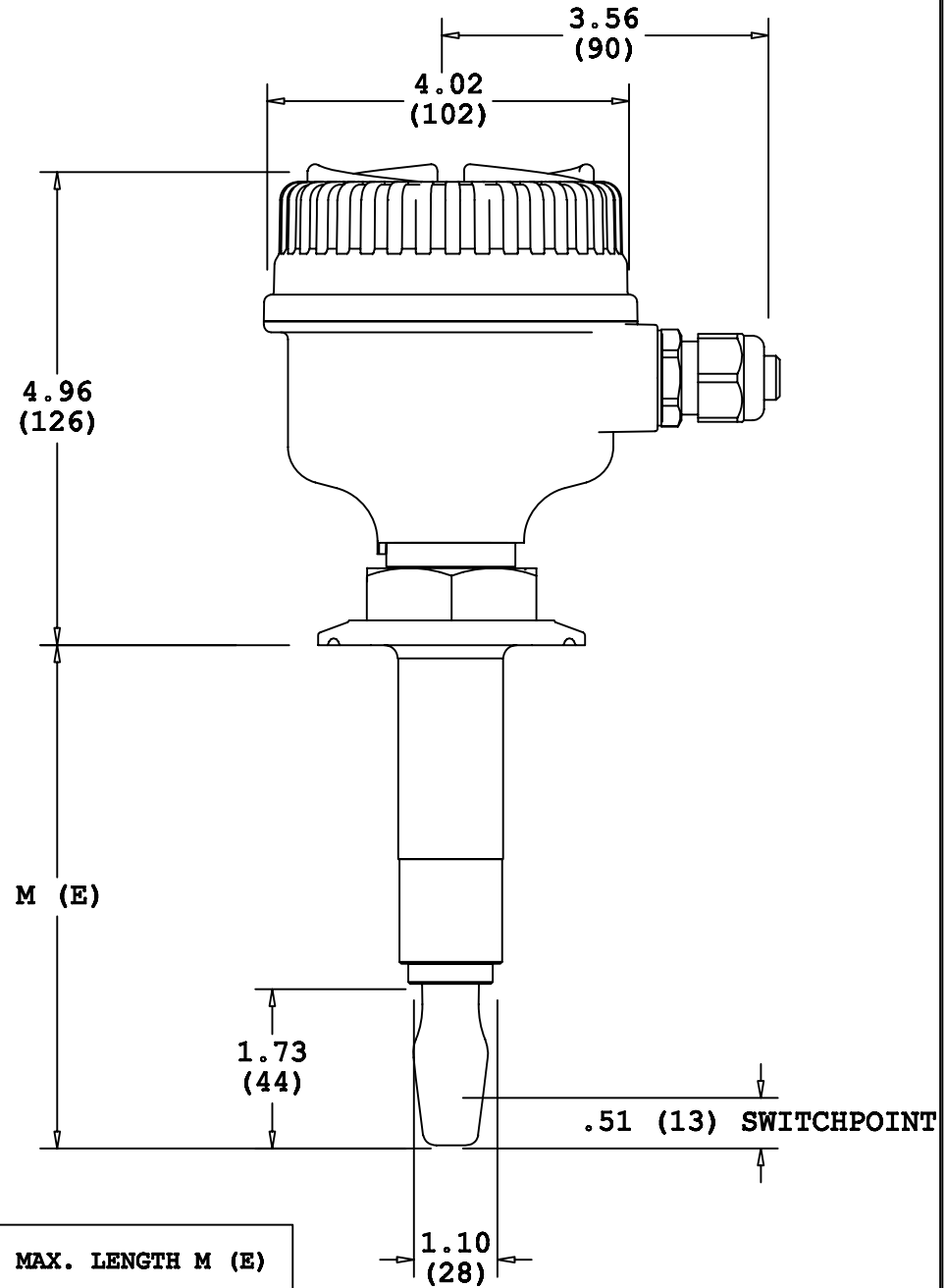
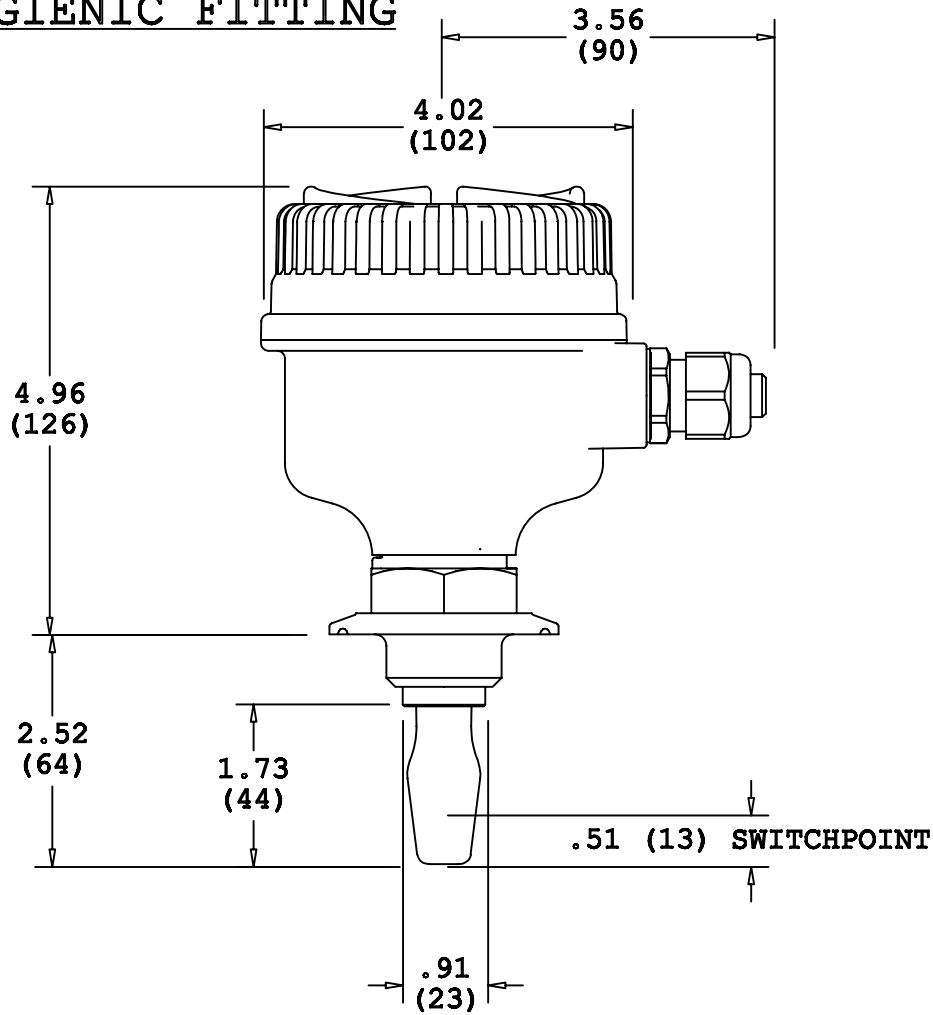


OPERATING TEMP. RANGE : -40°C TO +150°C WETSIDE.

OPERATING PRESSURE : 100 BAR BETWEEN -40°C TO +50°C AND DERATE LINEARLY TO 85 BAR AT +150°C.

*UNLESS OTHERWISE SPECIFIED DIMENSIONS IN INCHES (MM)		TYPE I		ROSEMOUNT [®] INC. CHANHASSEN, MINNESOTA		
*ALL DIMENSIONS ARE NOMINAL AND ARE FOR REFERENCE ONLY		DR. JOHN ARMSTRONG	7/10/05	TITLE		
		APP'D. DRAWING		DIMENSIONAL DRAWING FOR MODEL		
		APP'D. DRAWING		2120 SQUIG		
		APP'D. TAGGING		SIZE	FSCM.NO.	DRAWING NO.
		APP'D. SPECIALS		A	04274	2120-1010
		SCALE:NONE			WT.	SHEET 1 OF 3

HYGIENIC FITTING

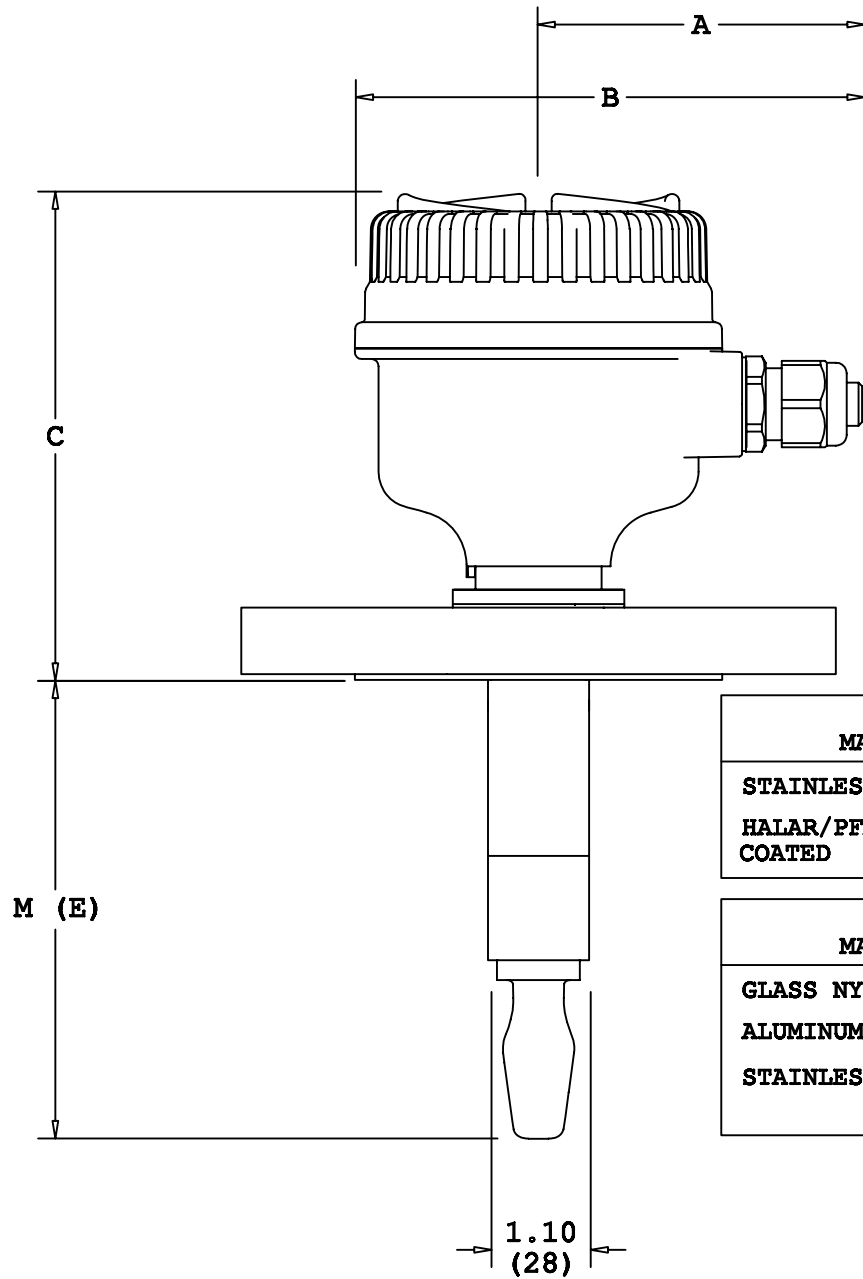


CONNECTION	STANDARD LENGTH	MIN. LENGTH M (E)	MAX. LENGTH M (E)
TRI-CLAMP	1.7 (44)	4.13 (105)	118.11 (3000)
O-RING SEAL (1-IN. BSPP)	1.7 (44)	3.85 (98)	118.11 (3000)

ROSEMOUNT®
 CHANHASSEN, MINNESOTA
 1517411 2.SCR

SIZE A	TYPE B	DRAWING NO. 2120
SCALE:		SHEET 2 OF 3

FLANGE MOUNTING



MATERIAL	STANDARD LENGTH	MIN. LENGTH M (E)	MAX. LENGTH M (E)
STAINLESS STEEL	4-IN. (102 mm)	3.5 (89)	118.11 (3000)
HALAR/PFA CO-POLYMER COATED	4-IN. (102 mm)	3.5 (89)	39.37 (1000)

MATERIAL	A	B	C
GLASS NYLON	3.52 (90)	4.02 (102)	6.30 (160)
ALUMINUM	2.76 (70)	4.13 (105)	7.87 (200)
STAINLESS STEEL	2.76 (70)	4.13 (105)	7.87 (200)

ROSEMOUNT®
CHANHASSEN, MINNESOTA

SIZE A	TYPE B	DRAWING NO. 2120
SCALE:		SHEET 3 OF 3