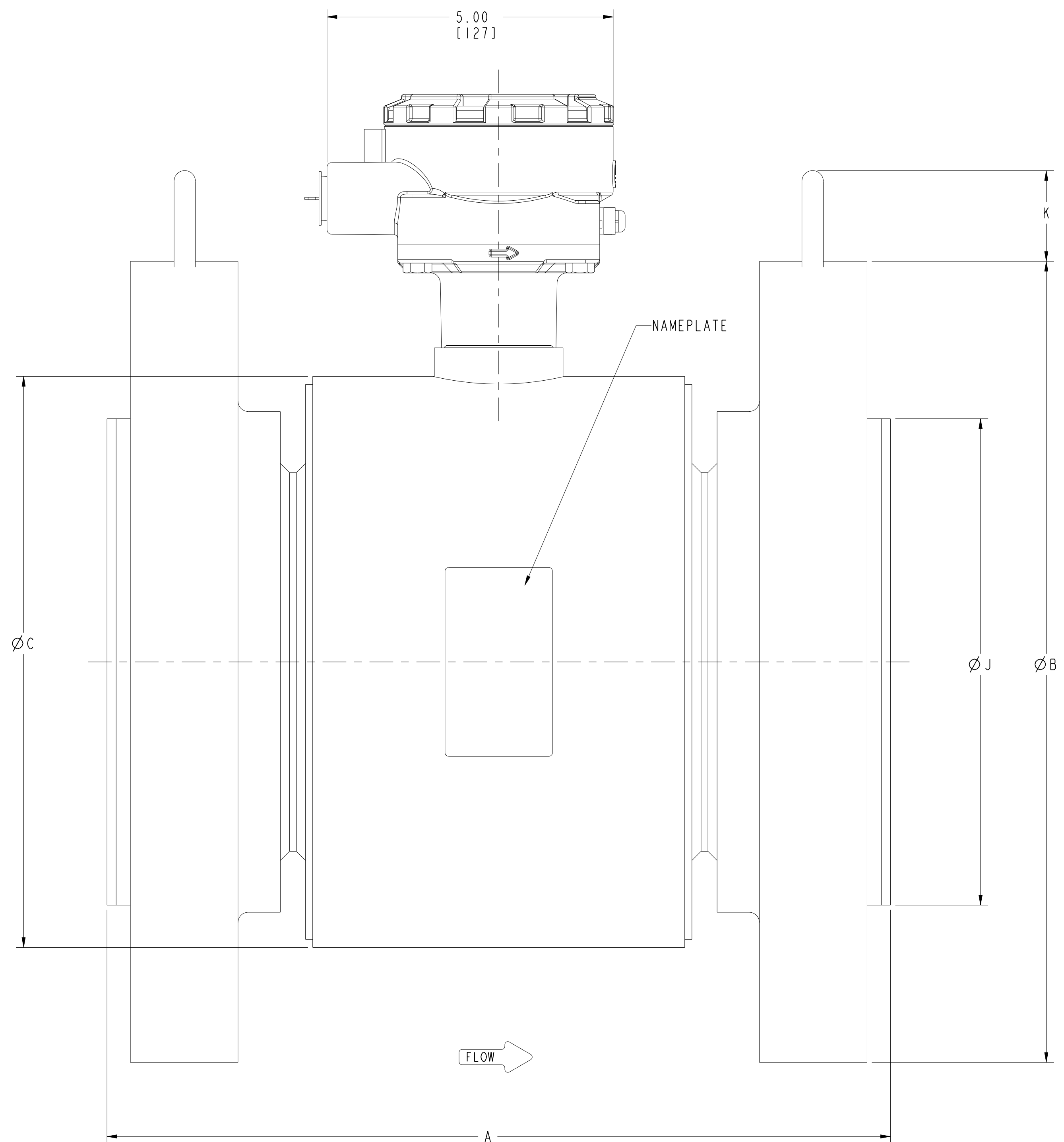
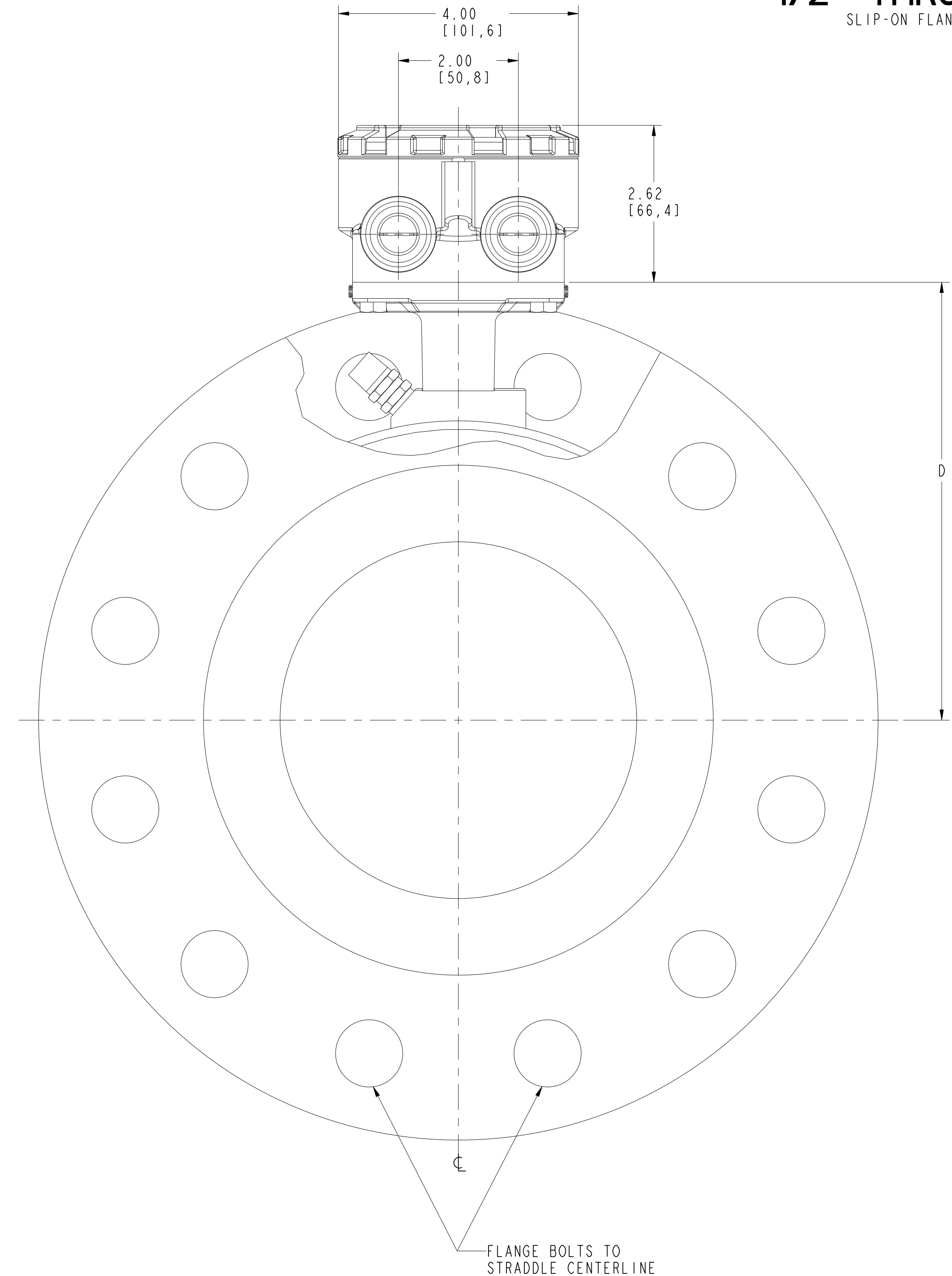


8 7 6 5 4 3 2 1

TABULATION	
DASH NO.	

REVISIONS				
REV	DESCRIPTION	ECO NO.	APP'D	DATE
AB	ADD DIMENSION TABLES	RTC1027597		

**1/2" THRU 24"**  
SLIP-ON FLANGES



2. SEE DRAWING 08705-0024 FOR STANDARD (LOWER) PRESSURE FLANGES.

1. ROSEMOUNT CERTIFIES THAT THIS DRAWING IS IN ACCORDANCE WITH ROSEMOUNT ENGINEERING SPECIFICATIONS AND ACCURATELY REPRESENTS THE EQUIPMENT FURNISHED.

CONFIDENTIAL AND PROPRIETARY INFORMATION IS CONTAINED HEREIN AND MUST BE HANDLED ACCORDINGLY.	UNLESS OTHERWISE SPECIFIED DIMENSIONS IN INCHES (mm). REMOVE ALL BURRS AND SHARP EDGES. MACHINE SURFACE FINISH 125.			
	TOLERANCES: .X ± .1 [2,5] .XX ± .02 [0,5] .XXX ± .010 [0,25]	TITLE <b>DIMENSIONAL DRAWING</b> <b>MODEL 8705 MAGNETIC FLOWTUBE-HIGH PRESSURE</b>		DR. D. BROKKE 3/22/08 APP'D S. ROGERS 12/18/08
	FRACTIONS ± 1/32 ANGLES ± 2° DO NOT SCALE PRINT	SIZE D DRAWING NO. 08705-0025		REV AB
	CAD MAINTAINED, TPRO/E1		SHEET 1 OF 4	

**TABLE 1: 0.5" - 24" with Slip-On Flanges -- inch**

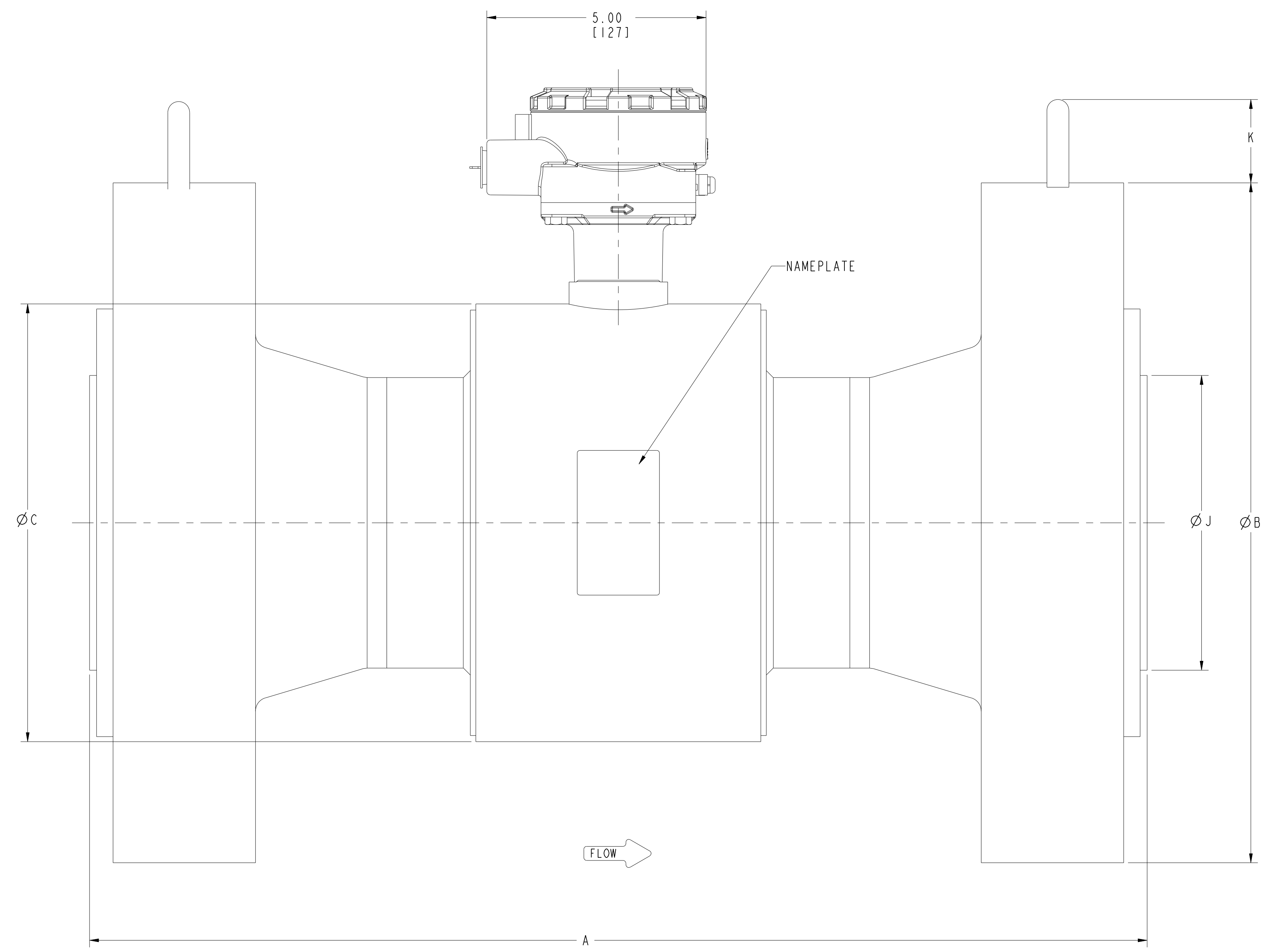
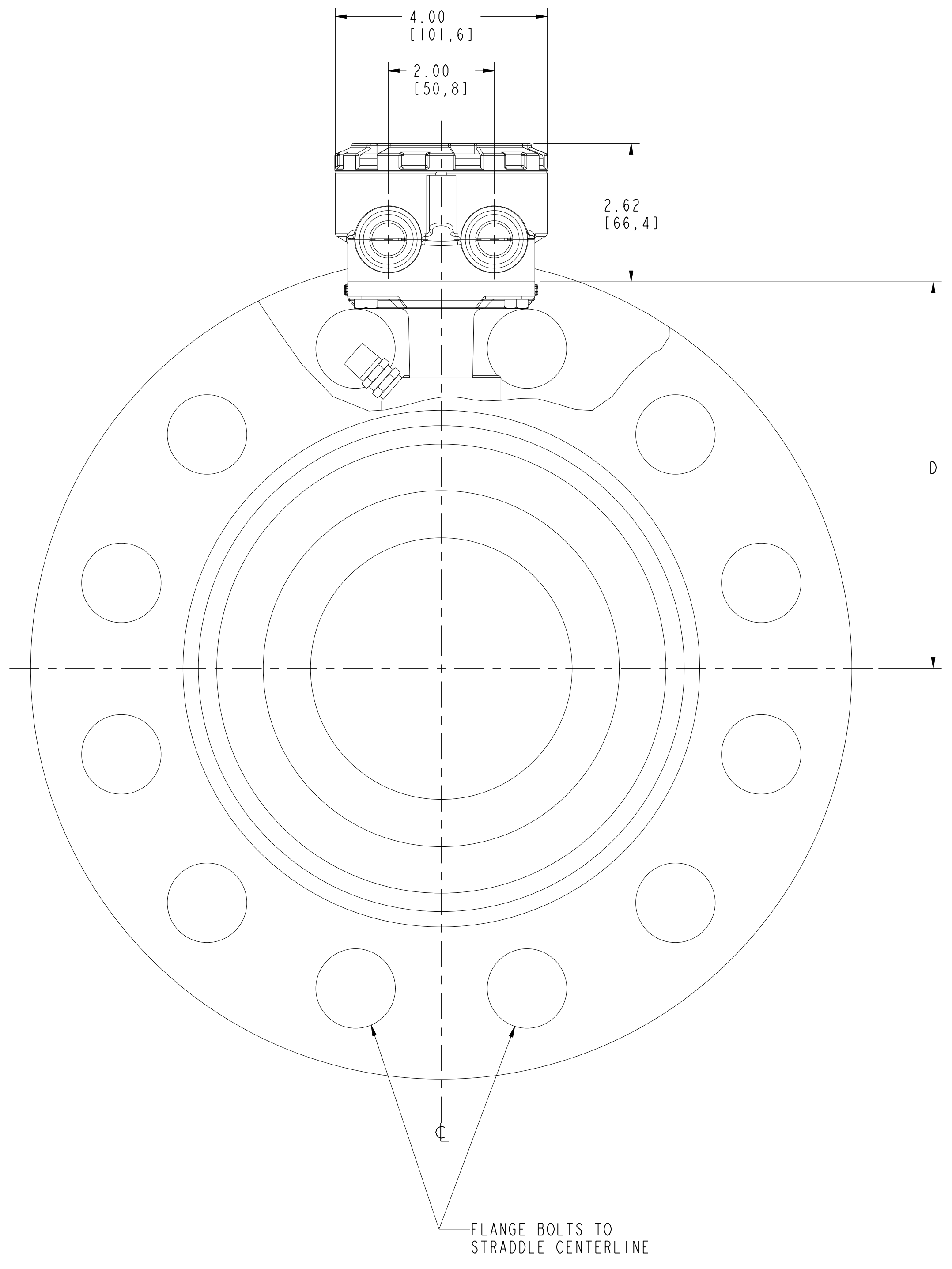
Size, Description	Model Number	OVERALL LENGTH					Body Ø DIM "C"	CL to UMB DIM "D"	Liner Ø on Face DIM "J"	Lift Ring Height DIM "K"	Flow Tube Weight (lbs.)
		DIM "A" PTFE	DIM "A" ETFE	DIM "A" Neoprene	DIM "A" Linatex	DIM "A" Poly					
0.5 (15) ANSI - 600# DERAT., SO / RF	8705 ___ 005C6	8.38	8.38	8.38	8.38	8.38	4.50	4.41	1.38	15	
1 (25) ANSI - 600# DERAT., SO / RF	8705 ___ 010C6	8.67	8.67	8.67	8.67	8.67	4.50	4.41	2.00	24	
1 (25) ANSI - 600# FULL, SO / RF	8705 ___ 010C7			8.56	8.56	8.56	4.50	4.41	2.00	24	
1 (25) ANSI - 900#, SO / RF	8705 ___ 010C9			9.68	9.68	9.68	4.50	4.41	2.00	30	
1.5 (40) ANSI - 600# DERAT., SO / RF	8705 ___ 015C6	8.63	8.63	8.69	8.70	8.63	5.21	4.82	2.88	22	
1.5 (40) ANSI - 600# FULL, SO / RF	8705 ___ 015C7			8.54	8.54	8.54	5.21	4.82	2.88	22	
1.5 (40) ANSI - 900#, SO / RF	8705 ___ 015C9			9.52	9.52	9.52	5.21	4.82	2.88	42	
2 (50) ANSI - 600# DERAT., SO / RF	8705 ___ 020C6	8.78	8.78	8.81	8.82	8.78	5.21	4.82	3.62	30	
2 (50) ANSI - 600# FULL, SO / RF	8705 ___ 020C7			8.66	8.66	8.66	5.21	4.82	3.62	30	
2 (50) ANSI - 900#, SO / RF	8705 ___ 020C9			10.26	10.26	10.28	5.21	4.82	3.62	63	
3 (80) ANSI - 600# DERAT., SO / RF	8705 ___ 030C6	12.40	12.40	12.37	12.38	12.40	7.21	5.82	5.00	1.70	52
3 (80) ANSI - 600# FULL, SO / RF	8705 ___ 030C7			12.22	12.22	12.22	7.21	5.82	5.00	1.70	52
3 (80) ANSI - 900#, SO / RF	8705 ___ 030C9			12.82	12.82	12.82	7.21	5.82	5.00	1.70	89
4 (100) ANSI - 600# DERAT., SO / RF	8705 ___ 040C6	12.83	12.83	12.80	12.81	12.83	7.91	6.17	6.19	1.70	75
4 (100) ANSI - 600# FULL, SO / RF	8705 ___ 040C7			12.65	12.65	12.65	7.91	6.17	6.19	1.70	75
4 (100) ANSI - 900#, SO / RF	8705 ___ 040C9			13.89	13.89	13.89	7.91	6.17	6.19	2.00	138
6 (150) ANSI - 600# DERAT., SO / RF	8705 ___ 060C6	14.23	14.23	14.16	14.17	14.21	9.98	7.30	8.50	1.70	120
6 (150) ANSI - 600# FULL, SO / RF	8705 ___ 060C7			14.01	14.01	14.01	9.98	7.30	8.50	1.70	120
6 (150) ANSI - 900#, SO / RF	8705 ___ 060C9			17.58	17.58	17.58	9.98	7.30	8.50	2.00	274
8 (200) ANSI - 600# DERAT., SO / RF	8705 ___ 080C6	16.72	16.70	16.64	16.65	16.69	11.92	8.27	10.62	1.70	200
8 (200) ANSI - 600# FULL, SO / RF	8705 ___ 080C7			16.49	16.49	16.49	11.92	8.27	10.62	1.70	200
8 (200) ANSI - 900#, SO / RF	8705 ___ 080C9			20.61	20.61	20.61	11.92	8.27	10.62	3.13	499
10 (250) ANSI - 600# DERAT., SO / RF	8705 ___ 100C6	19.54	19.40	19.25	19.26	19.30	14.64	9.69	12.75	2.00	455
10 (250) ANSI - 600# FULL, SO / RF	8705 ___ 100C7			18.75	18.75	18.75	14.64	9.69	12.75	2.00	455
10 (250) ANSI - 900#, SO / RF	8705 ___ 100C9			21.57	21.57	21.57	14.64	9.69	12.75	3.13	707
12 (300) ANSI - 600# FULL, SO / RF	8705 ___ 120C7			21.80	21.80	21.80	16.80	10.77	15.00	2.00	570
12 (300) ANSI - 900#, SO / RF	8705 ___ 120C9			25.18	25.18	23.49	16.80	10.77	15.00	3.13	1008
14 (350) ANSI - 600# FULL, SO / RF	8705 ___ 140C7			25.44	25.44	25.44	18.92	11.83	16.25	2.00	
16 (400) ANSI - 600# FULL, SO / RF	8705 ___ 160C7			28.94	28.94	28.94	20.94	12.84	18.50	3.13	
18 (450) ANSI - 600# FULL, SO / RF	8705 ___ 180C7			32.42	32.42	32.42	23.46	14.10	21.00	3.13	
20 (500) ANSI - 600# FULL, SO / RF	8705 ___ 200C7			36.55	36.55	36.55	25.48	15.11	23.00	3.13	
24 (600) ANSI - 600# FULL, SO / RF	8705 ___ 240C7			41.05	41.05	41.05	30.03	17.39	27.25	3.13	

**TABLE 1: 0.5" - 24" with Slip-On Flanges -- millimeter**

Size, Description	Model Number	OVERALL LENGTH					Body Ø DIM "C"	CL to UMB DIM "D"	Liner Ø on Face DIM "J"	Lift Ring Height DIM "K"	Flow Tube Weight (kg)
		DIM "A" PTFE	DIM "A" ETFE	DIM "A" Neoprene	DIM "A" Linatex	DIM "A" Poly					
0.5 (15) ANSI - 600# DERAT., SO / RF	8705 ___ 005C6	213	213	213	213	213	114	112	35	6.8	
1 (25) ANSI - 600# DERAT., SO / RF	8705 ___ 010C6	220	220	220	220	220	114	112	51	10.9	
1 (25) ANSI - 600# FULL, SO / RF	8705 ___ 010C7			217	217	217	114	112	51	10.9	
1 (25) ANSI - 900#, SO / RF	8705 ___ 010C9			246	246	246	114	112	51	43	13.6
1.5 (40) ANSI - 600# DERAT., SO / RF	8705 ___ 015C6	219	219	221	221	219	132	122	73	10.0	
1.5 (40) ANSI - 600# FULL, SO / RF	8705 ___ 015C7			217	217	217	132	122	73	10.0	
1.5 (40) ANSI - 900#, SO / RF	8705 ___ 015C9			242	242	242	132	122	73	43	19.1
2 (50) ANSI - 600# DERAT., SO / RF	8705 ___ 020C6	223	223	224	224	223	132	122	92	13.6	
2 (50) ANSI - 600# FULL, SO / RF	8705 ___ 020C7			220	220	220	132	122	92	13.6	
2 (50) ANSI - 900#, SO / RF	8705 ___ 020C9			261	261	261	132	122	92	43	28.6
3 (80) ANSI - 600# DERAT., SO / RF	8705 ___ 030C6	315	315	314	314	315	183	148	127	43	23.6
3 (80) ANSI - 600# FULL, SO / RF	8705 ___ 030C7			310	310	310	183	148	127	43	23.6
3 (80) ANSI - 900#, SO / RF	8705 ___ 030C9			326	326	326	183	148	127	43	40.4
4 (100) ANSI - 600# DERAT., SO / RF	8705 ___ 040C6	326	326	325	325	326	201	157	157	43	34.0
4 (100) ANSI - 600# FULL, SO / RF	8705 ___ 040C7			321	321	321	201	157	157	43	34.0
4 (100) ANSI - 900#, SO / RF	8705 ___ 040C9			353	353	353	201	157	157	51	62.6
6 (150) ANSI - 600# DERAT., SO / RF	8705 ___ 060C6	361	361	360	360	361	253	185	216	43	54.4
6 (150) ANSI - 600# FULL, SO / RF	8705 ___ 060C7			356	356	356	253	185	216	43	54.4
6 (150) ANSI - 900#, SO / RF	8705 ___ 060C9			447	447	447	253	185	216	51	124.3
8 (200) ANSI - 600# DERAT., SO / RF	8705 ___ 080C6	425	424	423	423	424	303	210	270	43	90.7
8 (200) ANSI - 600# FULL, SO / RF	8705 ___ 080C7			419	419	419	303	210	270	43	90.7
8 (200) ANSI - 900#, SO / RF	8705 ___ 080C9			523	523	523	303	210	270	80	226.3
10 (250) ANSI - 600# DERAT., SO / RF	8705 ___ 100C6	496	493	489	489	490	372	246	324	51	206.4
10 (250) ANSI - 600# FULL, SO / RF	8705 ___ 100C7			476	476	476	372	246	324	51	206.4
10 (250) ANSI - 900#, SO / RF	8705 ___ 100C9			548	548	548	372	246	324	80	320.7
12 (300) ANSI - 600# FULL, SO / RF	8705 ___ 120C7			554	554	554	427	274	381	51	258.5
12 (300) ANSI - 900#, SO / RF	8705 ___ 120C9			640	640	597	427	274	381	80	457.2
14 (350) ANSI - 600# FULL, SO / RF	8705 ___ 140C7			646	646	646	481	300	413	51	
16 (400) ANSI - 600# FULL, SO / RF	8705 ___ 160C7			735	735	735	532	326	470	80	
18 (450) ANSI - 600# FULL, SO / RF	8705 ___ 180C7			823	823	823	596	358	533	80	
20 (500) ANSI - 600# FULL, SO / RF	8705 ___ 200C7			928	928	928	647	384	584	80	
24 (600) ANSI - 600# FULL, SO / RF	8705 ___ 240C7			1043	1043	1043	763	442	692	80	

8 7 6 5 4 3 2 1

# 1" THRU 24" WELD NECK FLANGES



8

7

6

5

4

3

2

1

TABLE 2: 1" - 24" with Weld Neck Flanges -- inch

Table with columns: Size, Description, Model Number, Overall Length (Neoprene, Linatex, Poly), Body Ø, CL to UMB, Liner Ø, Lift Ring Height, Flow Tube Weight. Rows include various ANSI specifications from 1" to 24" sizes.

TABLE 2: 1" - 24" with Weld Neck Flanges -- millimeter

Table with columns: Size, Description, Model Number, Overall Length (Neoprene, Linatex, Poly), Body Ø, CL to UMB, Liner Ø, Lift Ring Height, Flow Tube Weight. Rows include various ANSI specifications from 1" to 24" sizes in millimeters.