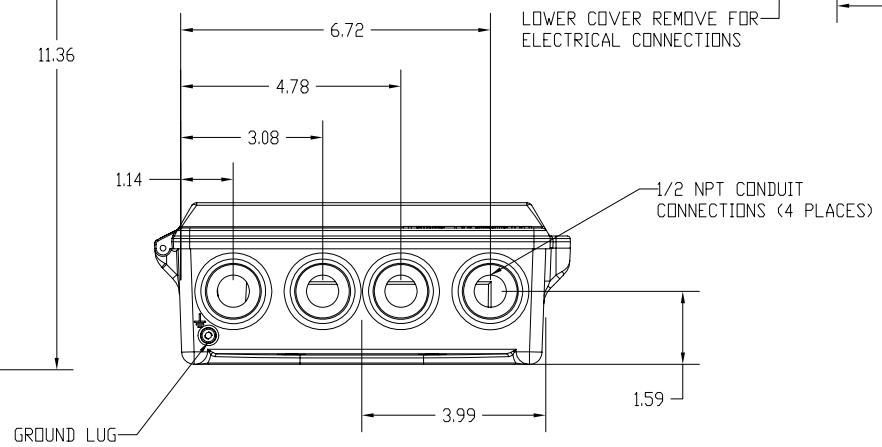
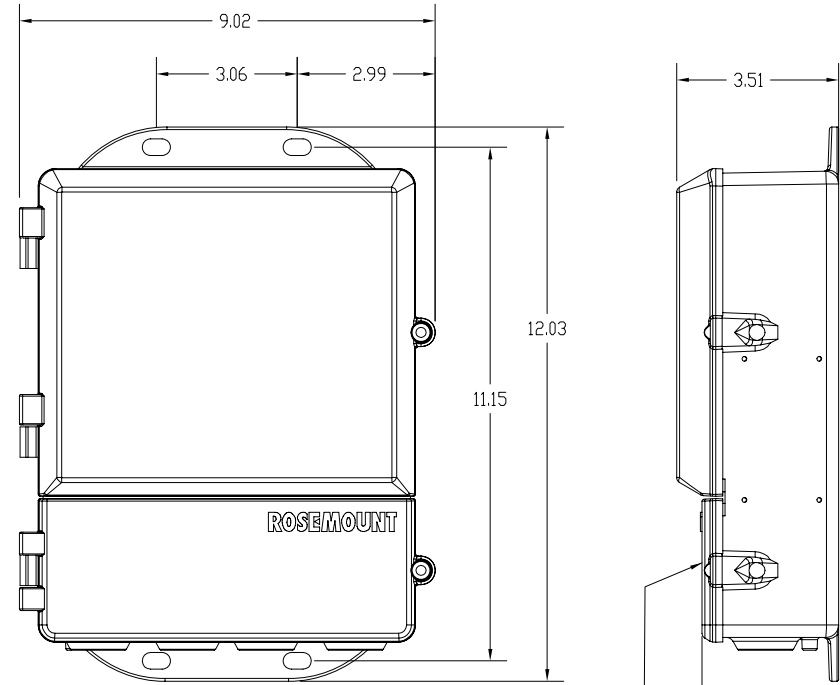
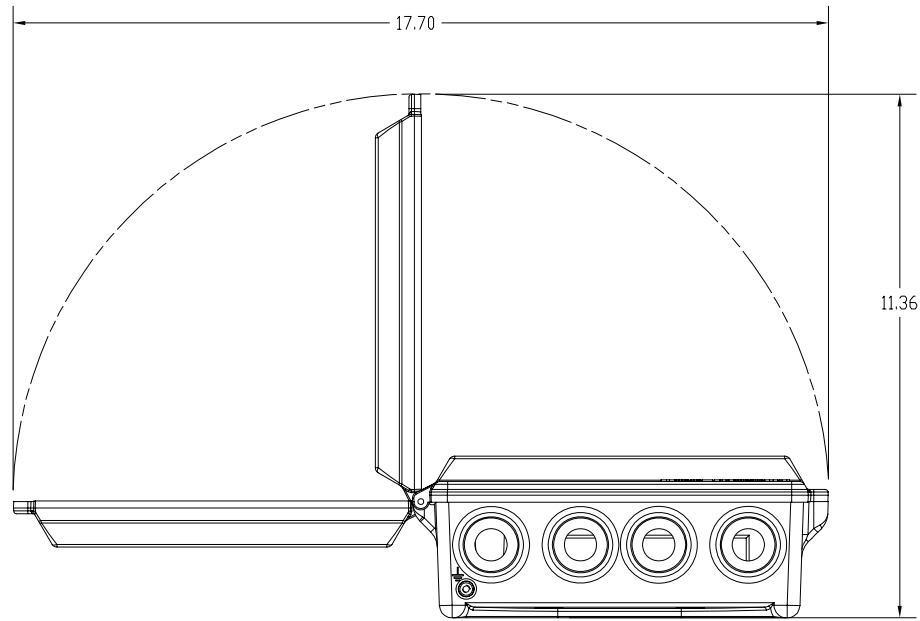


Product Discontinued

REVISIONS				
REV	DESCRIPTION	ECD NO.	APP'D	DATE
AC	NEW HOUSING, REPLACE PRODE FORMAT	RTC1021193	J.B.	2/2/2006



- NOTES:
1. PLUG ALL CONDUIT CONNECTIONS.
 2. WEIGHT: 4.05 KG

UNLESS OTHERWISE SPECIFIED
 DIMENSIONS IN INCHES (mm)
 REMOVE ALL BURRS AND
 SHARP EDGES. MACHINE
 SURFACE FINISH: 125
 TOLERANCES:
 X ± □
 XX ± □
 XXX ± □
 FRACTIONS ANGLES
 ± °
 DO NOT SCALE PRINT

EMERSON **ROSEMOUNT®**
 8200 Market Boulevard Chanhassen, MN 55317 USA

TITLE: **OUTLINE INSTALLATION DRAWING FOR MODEL 3420 FIM**

DR. H. NGUYEN 1/18/06 SIZE C DRAWING NO. 03420-1002 REV AC
 APP'D J. BREWER 1/31/2006 CAD MAINTAINED (PRO/E) SHEET 1 OF 1