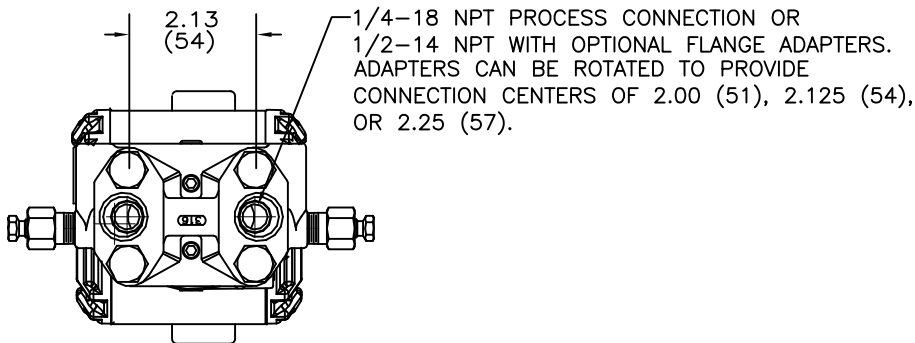
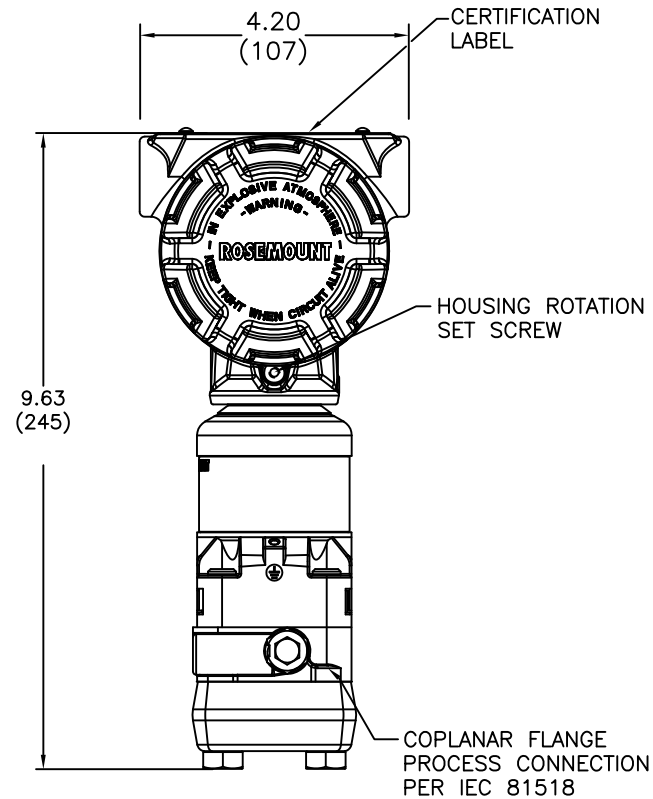
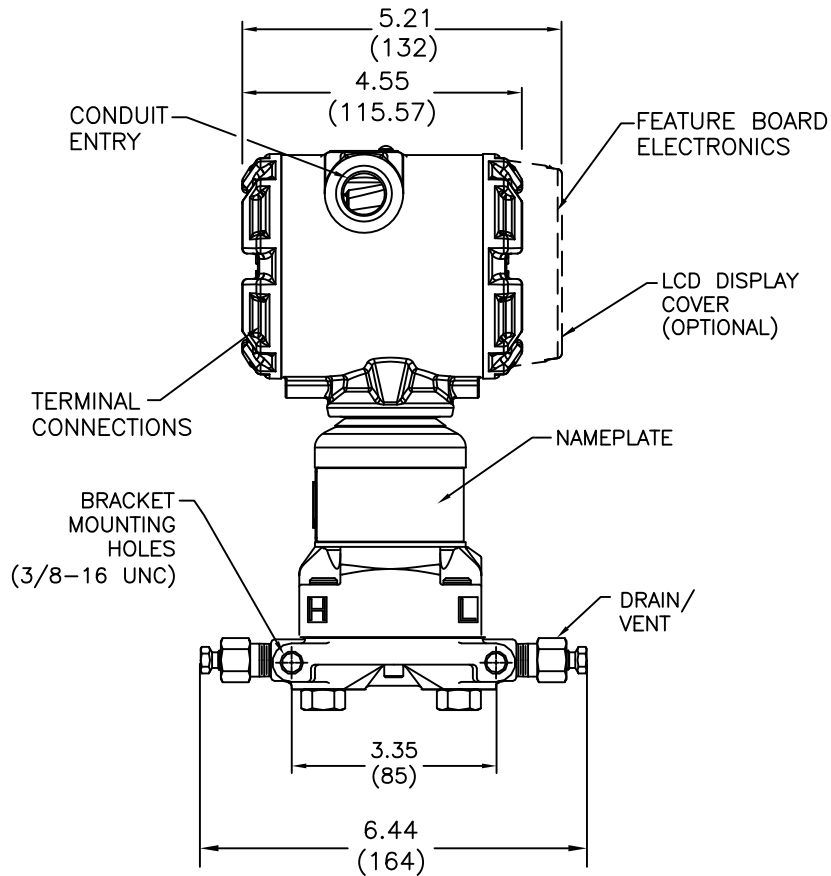


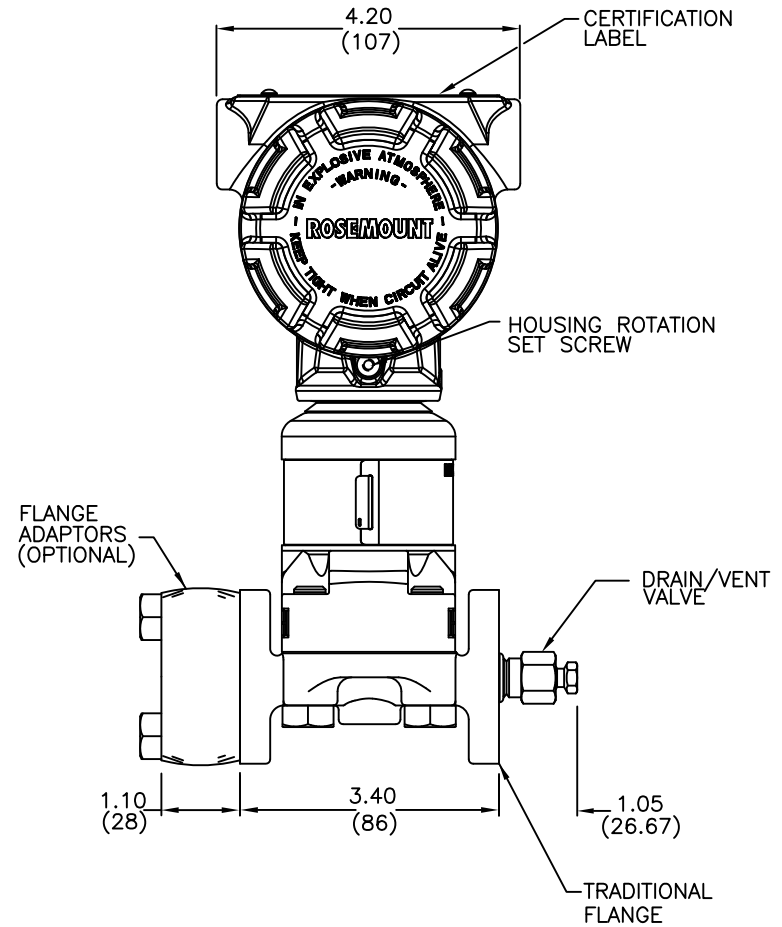
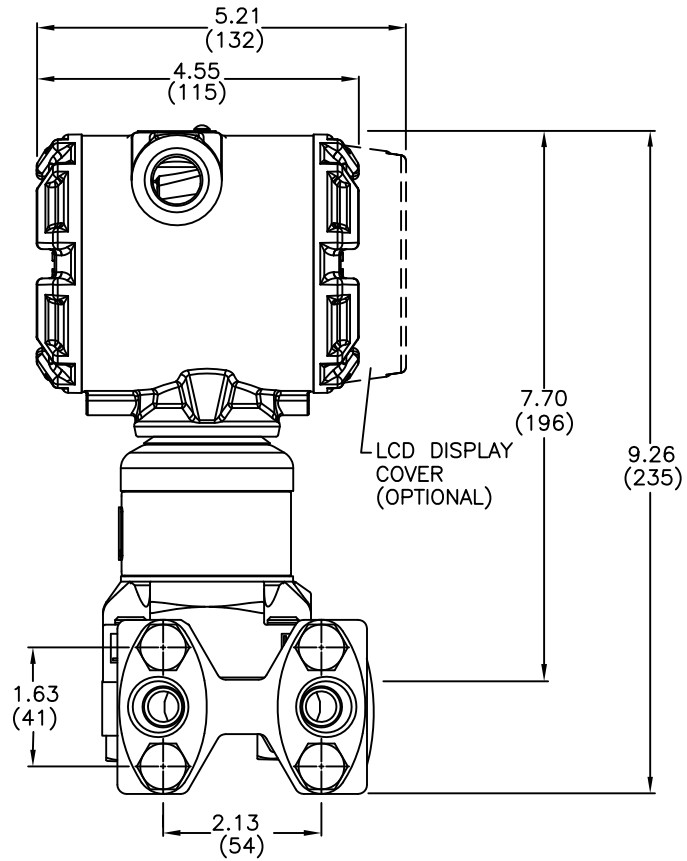
3051S MULTIVARIABLE TRANSMITTER—COPLANAR FLANGE

REVISIONS				
REV	DESCRIPTION	CHG. NO.	APP'D	DATE
AA	NEW RELEASE	RTC1026024	A.W.	4/15/08
AB	ADD NOTES	RTC1026926	A.W.	9/15/08



*UNLESS OTHERWISE SPECIFIED DIMENSIONS IN INCHES (MM)		<b>TYPE I</b>		<b>ROSEMOUNT®</b> CHANHASSEN, MINNESOTA			
*ALL DIMENSIONS ARE NOMINAL AND ARE FOR REFERENCE ONLY		DR. JOHN ARMSTRONG	03/16/07	TITLE			
		APPROVAL		DIMENSIONAL DRAWING FOR			
		APP. A. WEISENBURGER		4/15/08		3051S MULTIVARIABLE TRANSMITTER	
		TAGGING		SIZE		DRAWING NO.	
		SPECIALS		A		03151-6006	
				SCALE: NONE			
				SHEET 1 OF 2			

3051S MULTIVARIABLE TRANSMITTER—TRADITIONAL FLANGE



**ROSEMOUNT®**  
CHANHASSEN, MINN.

SIZE	FSCM.NO.	DRAWING NO.
A		03151-6006
SCALE:		SHEET 2 OF 2