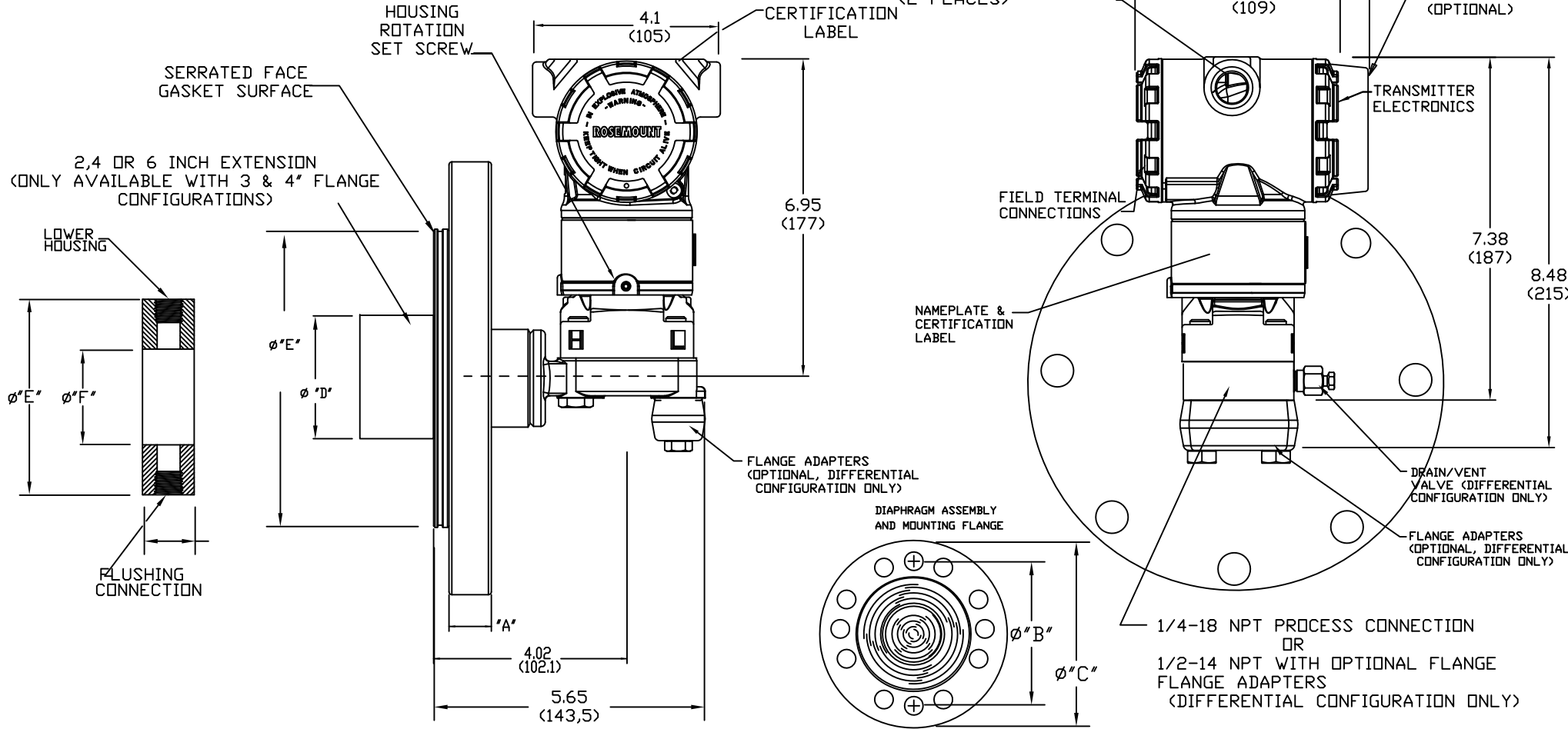


Class	Pipe Size	Flange			No. of Bolts	Bolt Hole Diameter	Exten. Diam. D	O.D Gasket Surface E	Process Side F	Lower Housing G		H
		"A"	Bolt Circle Diameter "B"	Outside Diameter "C"						1/4 NPT	1/2 NPT	
ASME B 16.5 (ANSI) 150	2 (51)	.69 (18)	4.75 (121)	6.0 (152)	4	0.75 (19)	NA	3.6 (92)	2.12 (54)	.97 (25)	1.31 (33)	6.66 (169)
	3 (76)	.88 (22)	6.0 (152)	7.5 (191)	4	0.75 (19)	2.58 (66)	5.0 (127)	3.6 (91)	.97 (25)	1.31 (33)	6.66 (169)
	4 (102)	.88 (22)	7.5 (191)	9.0 (229)	8	0.75 (19)	3.5 (89)	6.2 (158)	3.6 (91)	.97 (25)	1.31 (33)	6.66 (169)
ASME B 16.5 (ANSI) 300	2 (51)	.82 (21)	5.0 (127)	6.5 (165)	8	0.75 (19)	NA	3.6 (92)	2.12 (54)	.97 (25)	1.31 (33)	6.66 (169)
	3 (76)	1.06 (27)	6.62 (168)	8.25 (210)	8	0.88 (22)	2.58 (66)	5.0 (127)	3.6 (91)	.97 (25)	1.31 (33)	6.66 (169)
	4 (102)	1.19 (30)	7.88 (200)	10.0 (254)	8	0.88 (22)	3.5 (89)	6.2 (158)	3.6 (91)	.97 (25)	1.31 (33)	6.66 (169)
ASME B 16.5 (ANSI) 600	2 (51)	1.00 (25)	5.0 (127)	6.5 (165)	8	0.75 (19)	NA	3.6 (92)	2.12 (54)	.97 (25)	1.31 (33)	8.66 (219)
	3 (76)	1.25 (32)	6.62 (168)	8.25 (210)	8	0.88 (22)	2.58 (66)	5.0 (127)	3.6 (91)	.97 (25)	1.31 (33)	8.66 (219)
	DIN PN 10-40	DN 50	20 mm	125 mm	165 mm	4	18 mm	NA	4.0 (102)	2.4 (63)	.97 (25)	1.31 (33)
DIN PN 25/40	DN 80	24 mm	160 mm	200 mm	8	18 mm	65 mm	5.4 (138)	3.6 (91)	.97 (25)	1.31 (33)	6.66 (169)
	DN 100	24 mm	190 mm	235 mm	8	22 mm	89 mm	6.2 (158)	3.6 (91)	.97 (25)	1.31 (33)	6.66 (169)
DIN PN 10/16	DN 100	20 mm	180 mm	220 mm	8	18 mm	89 mm	6.2 (158)	3.6 (91)	.97 (25)	1.31 (33)	6.66 (169)

REVISIONS				
REV	DESCRIPTION	CHG.NO.	APP'D	DATE
AA	CREATE NEW TYPE 1	RTC1023076	PS	12/06/06
AB	CHANGE TITLE	RTC1024164	PS	6/14/07
AC	CHANGE FLANGE	RTC1029164	BM	8/10/09



*UNLESS OTHERWISE SPECIFIED DIMENSIONS IN INCHES (MM)		TYPE I		ROSEMOUNT INC. CHANHASSEN, MINNESOTA	
*ALL DIMENSIONS ARE NOMINAL AND ARE FOR REFERENCE ONLY		DR. JOHN ARMSTRONG	1/10/03	TITLE	
		APP'D. DRAWING P SUNDET	12/06/06	DIMENSIONAL DRAWING FOR 3051L HARDWARE REV. 5 PRESSURE TRANS.	
		APP'D. TAGGING		SIZE	FSCM.NO.
		APP'D. SPECIALS		A	04274
				DRAWING NO.	03151-6005
				SCALE: NONE	WT.
				SHEET 1 OF 1	

