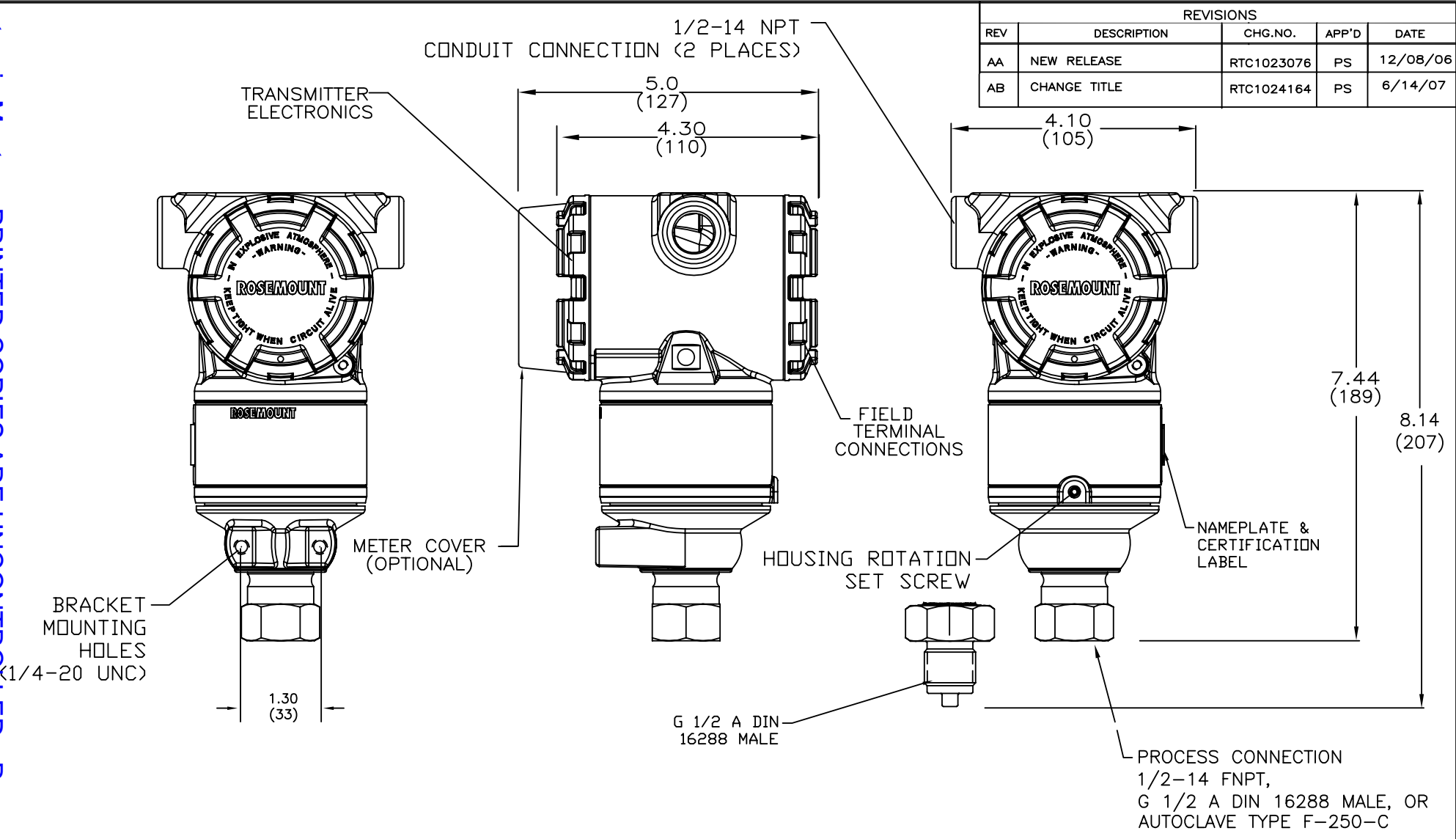


| REVISIONS | | | | |
|-----------|--------------|------------|-------|----------|
| REV | DESCRIPTION | CHG.NO. | APP'D | DATE |
| AA | NEW RELEASE | RTC1023076 | PS | 12/08/06 |
| AB | CHANGE TITLE | RTC1024164 | PS | 6/14/07 |



- NOTES:
- ROSEMOUNT INC. CERTIFIES THESE DRAWINGS ARE IN ACCORDANCE WITH ROSEMOUNT ENGINEERING SPECIFICATIONS AND ACCURATELY REPRESENT THE EQUIPMENT FURNISHED.

| | | | | | |
|---|-----------------|-------------------------------------|----------|---|--|
| *UNLESS OTHERWISE SPECIFIED DIMENSIONS IN INCHES (MM) | | TYPE I | | ROSEMOUNT INC. CHANHASSEN, MINNESOTA | |
| DR. JOHN ARMSTRONG | 11/20/02 | TITLE | | | |
| APP'D. DRAWING | sundet 12/08/06 | DIMENSIONAL DRAWING FOR | | | |
| APP'D. DRAWING | | 3051T HARWARE REV. 5 PRESSURE TRANS | | | |
| APP'D. TAGGING | | SIZE | FSCM.NO. | DRAWING NO. | |
| APP'D. SPECIALS | | A | 04274 | 03151-6004 | |
| | | SCALE: NONE | WT. | SHEET 1 OF 1 | |

