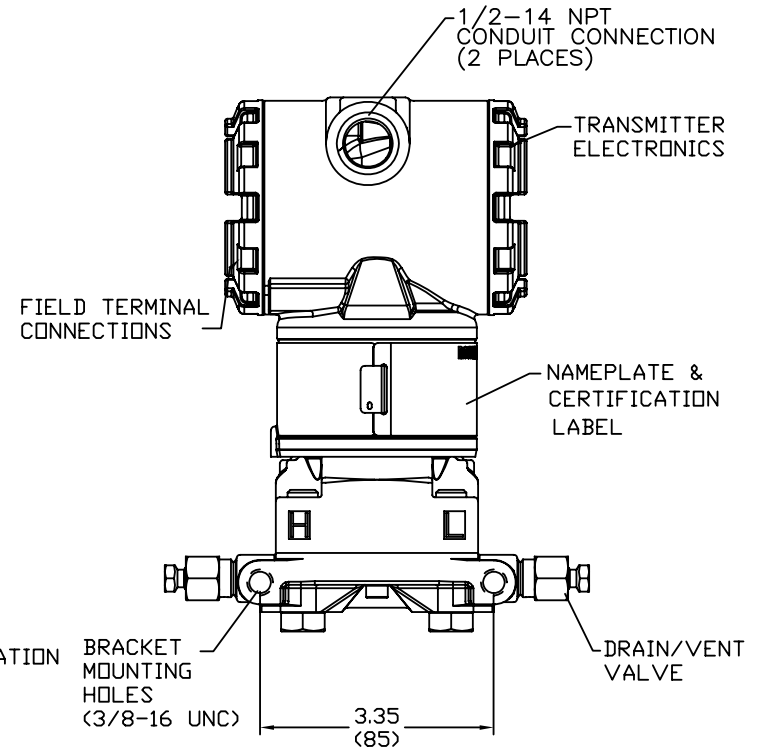
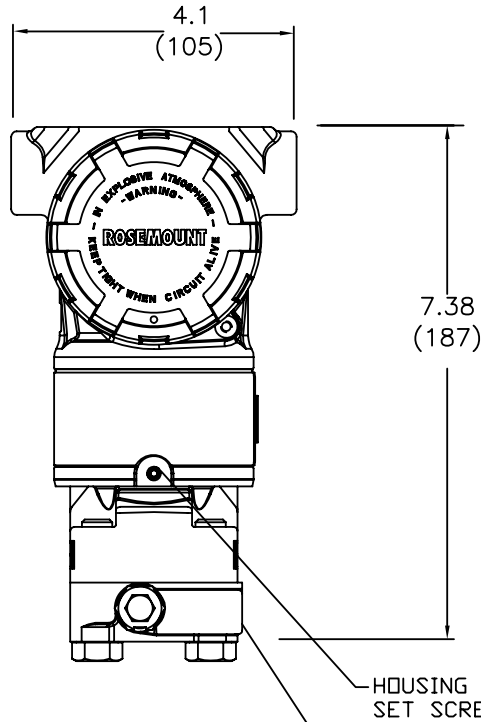
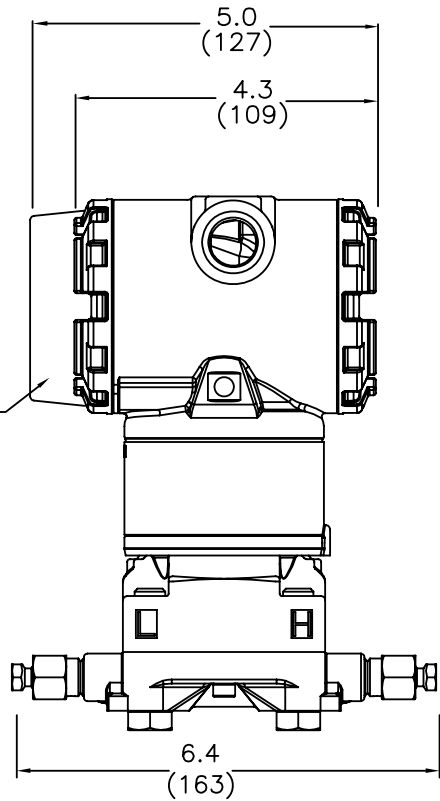
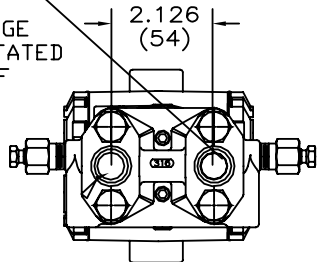


REVISIONS				
REV	DESCRIPTION	CHG.NO.	APP'D	DATE
AA	NEW RELEASE	RTC1023076	PS	12/06/06
AB	CHANGE TITLE	RTC1024164	PS	6/14/07



COPLANAR FLANGE  
PROCESS CONNECTION  
PER IEC 61518  
2.126 (54) ± .012 IN.  
CONNECTION CENTERS



1/4-18 NPT PROCESS CONNECTION  
OR  
1/2-14 NPT WITH OPTIONAL FLANGE  
ADAPTERS. ADAPTERS CAN BE ROTATED  
TO GIVE CONNECTION CENTERS OF  
2.00(51), 2.126(54), OR 2.25(57).

NOTES:

- ROSEMOUNT INC. CERTIFIES THESE DRAWINGS ARE IN ACCORDANCE WITH ROSEMOUNT ENGINEERING SPECIFICATIONS AND ACCURATELY REPRESENT THE EQUIPMENT FURNISHED.

*UNLESS OTHERWISE SPECIFIED DIMENSIONS IN INCHES (MM)		<b>TYPE I</b>		<b>ROSEMOUNT</b> INC. CHANHASSEN, MINNESOTA	
DR. JOHN ARMSTRONG	12/01/06	TITLE			
APP'D. DRAWING P SUNDET	12/6/06	DIMENSIONAL DRAWING FOR 3051C HARDWARE REV. 5 PRESSURE TRANS.			
APP'D. DRAWING		SIZE	FSCM.NO.	DRAWING NO.	
APP'D. TAGGING		A	04274	03151-6003	
APP'D. SPECIALS		SCALE: NONE	WT.	SHEET 1 OF 2	

