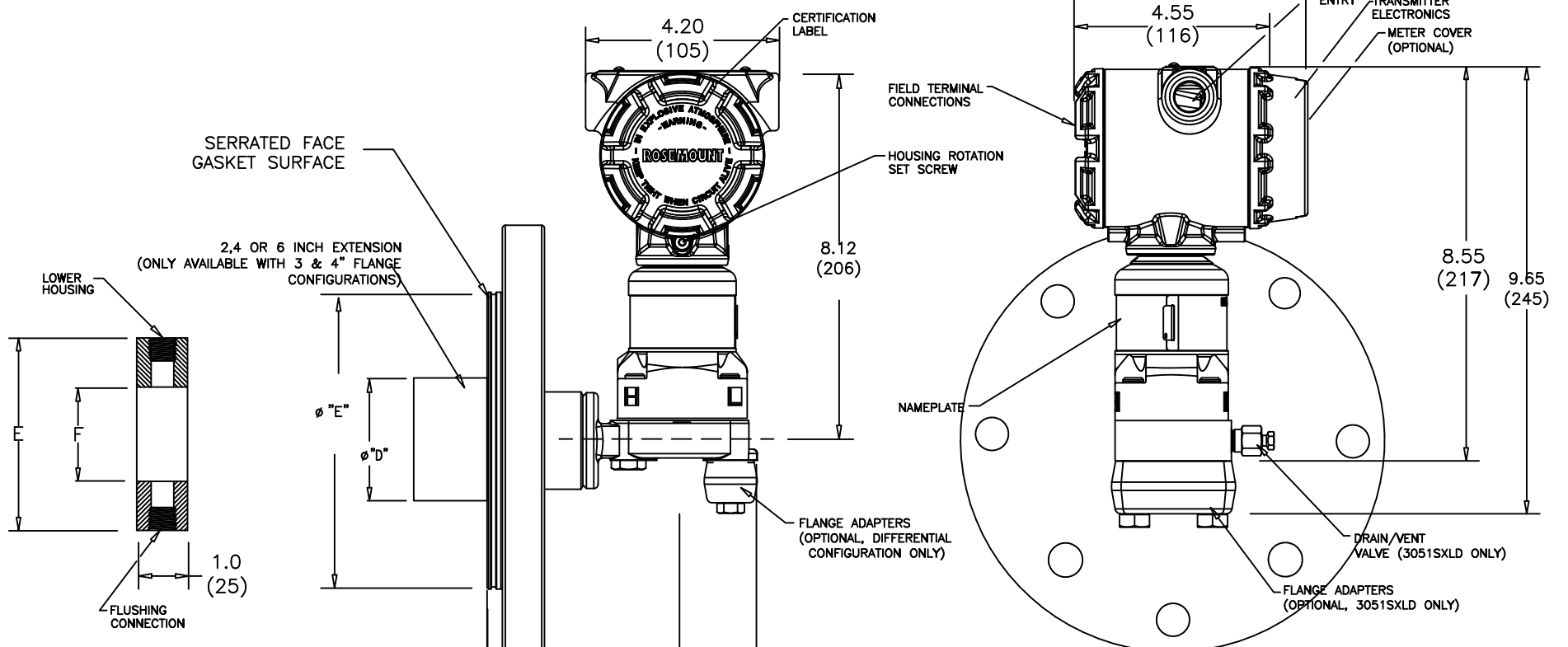


Class	Pipe Size	Flange Thickness A	Bolt Circle Diameter B	Outside Diameter C	No. of Bolts	Bolt Hole Diameter	Extension Diameter(1) D	O.D.Gasket Surface E	Process Side F	Lower Housing		H
										1/4 NPT	1/2 NPT	
ASME B 16.5 (ANSI) 150	2.00 (51)	0.89 (18)	4.75 (121)	6.00 (152)	4	0.75 (19)	NA	3.60 (92)	2.12 (54)	0.97 (25)	1.31 (33)	6.66 (169)
	3.00 (76)	0.88 (22)	6.00 (152)	7.50 (191)	4	0.75 (19)	2.58 (66)	5.00 (127)	3.50 (89)	0.97 (25)	1.31 (33)	6.66 (169)
	4.00 (102)	0.88 (22)	7.50 (191)	9.00 (229)	8	0.75 (19)	3.50 (89)	6.20 (158)	4.50 (114)	0.97 (25)	1.31 (33)	6.66 (169)
ASME B 16.5 (ANSI) 300	2.00 (51)	0.82 (21)	5.00 (127)	6.50 (165)	8	0.75 (19)	NA	3.60 (92)	2.12 (54)	0.97 (25)	1.31 (33)	6.66 (169)
	3.00 (76)	1.06 (27)	6.62 (168)	8.25 (210)	8	0.88 (22)	2.58 (66)	5.00 (127)	3.50 (89)	0.97 (25)	1.31 (33)	6.66 (169)
	4.00 (102)	1.19 (30)	7.88 (200)	10.00 (254)	8	0.88 (22)	3.50 (89)	6.20 (158)	4.50 (114)	0.97 (25)	1.31 (33)	6.66 (169)
ASME B 16.5 (ANSI) 600	2.00 (51)	1.00 (25)	5.00 (127)	6.50 (165)	8	0.75 (19)	NA	3.60 (92)	2.12 (54)	0.97 (25)	1.31 (33)	8.66 (219)
	3.00 (76)	1.25 (32)	6.62 (168)	8.62 (168)	8	0.88 (22)	2.58 (66)	5.00 (127)	3.50 (89)	0.97 (25)	1.31 (33)	8.66 (219)
	DIN 2501 PN 10-40	DN 50	20mm	125mm	165mm	4	18mm	NA	4.00 (102)	2.50 (63)	0.97 (25)	1.31 (33)
DIN 2501 PN 25/40	DN 80	24mm	160mm	200mm	8	18mm	65mm	5.40 (138)	3.70 (94)	0.97 (25)	1.31 (33)	6.66 (169)
DIN 2501 PN 10/16	DN 100	24mm	190mm	235mm	8	22mm	89mm	6.20 (158)	4.50 (114)	0.97 (25)	1.31 (33)	6.66 (169)
DIN 2501 PN 10/16	DN 100	20mm	180mm	220mm	8	18mm	89mm	6.20 (158)	4.50 (114)	0.97 (25)	1.31 (33)	6.66 (169)

REVISIONS				
REV	DESCRIPTION	CHG.NO.	APP'D	DATE
AA	NEW RELEASE TYPE 1	RTC1014515	JLA	1/05/03
AB	ADD WIRELESS	RTC1025215	CD	1/2/08
AC	NEW DIRECT MOUNT FLANGE	RTC102XXXX	CD	



3051S LIQUID LEVEL TRANSMITTER

*UNLESS OTHERWISE SPECIFIED DIMENSIONS IN INCHES (MM)		TYPE I		<b>ROSEMOUNT</b> CHANHASSEN, MINNESOTA	
*ALL DIMENSIONS ARE NOMINAL AND ARE FOR REFERENCE ONLY		DR. JOHN ARMSTRONG	03/16/0	TITLE	
		APPROVAL		DIMENSIONAL DRAWING FOR MODEL 3051SL SERIES LIQUID LEVEL	
		APP. B. HAGBOM	5/10/02	SIZE A	DRAWING NO. 03151-6002
		TAGGING		SCALE: NONE	SHEET 1 OF 2
		SPECIALS			

