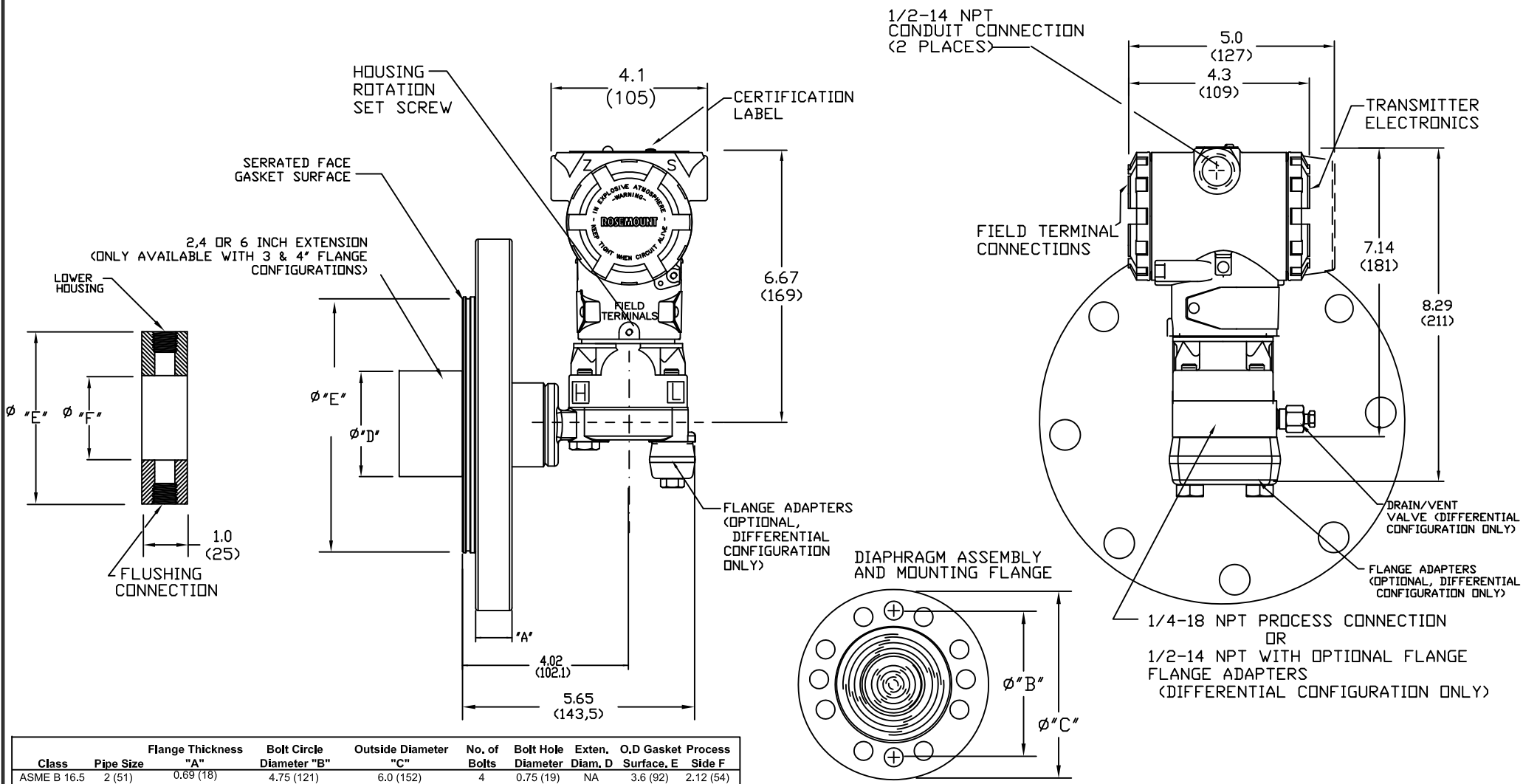


REVISIONS				
REV	DESCRIPTION	CHG.NO.	APP'D	DATE
AA	CREATE NEW TYPE 1	RTC1015131	NH	3/28/03
AB	NEW DIRECT FLANGE	RTC1029166	BM	8/10/09



Class	Pipe Size	Flange Thickness "A"	Bolt Circle Diameter "B"	Outside Diameter "C"	No. of Bolts	Bolt Hole Diameter	Exten. Diam. D	O.D Gasket Surface, E	Process Side F
ASME B 16.5 (ANSI) 150	2 (51)	0.69 (18)	4.75 (121)	6.0 (152)	4	0.75 (19)	NA	3.6 (92)	2.12 (54)
	3 (76)	0.88 (22)	6.0 (152)	7.5 (191)	4	0.75 (19)	2.58 (66)	5.0 (127)	3.5 (89)
	4 (102)	0.88 (22)	7.5 (191)	9.0 (229)	8	0.75 (19)	3.5 (89)	6.2 (158)	4.5 (114)
ASME B 16.5 (ANSI) 300	2 (51)	0.82 (21)	5.0 (127)	6.5 (165)	8	0.75 (19)	NA	3.6 (92)	2.12 (54)
	3 (76)	1.06 (27)	6.62 (168)	8.25 (210)	8	0.88 (22)	2.58 (66)	5.0 (127)	3.5 (89)
	4 (102)	1.19 (30)	7.88 (200)	10.0 (254)	8	0.88 (22)	3.5 (89)	6.2 (158)	4.5 (114)
ASME B 16.5 (ANSI) 600	2 (51)	1.00 (25)	5.0 (127)	6.5 (165)	8	0.75 (19)	NA	3.6 (92)	2.12 (54)
	3 (76)	1.25 (32)	6.62 (168)	6.62 (168)	8	0.88 (22)	2.58 (66)	5.0 (127)	3.5 (89)
DIN PN 10/40	DN 50	20 mm	125 mm	165 mm	4	18 mm	NA	4.0 (102)	2.5 (63)
DIN PN 25/40	DN 80	30 mm	160 mm	200 mm	8	18 mm	65 mm	5.4 (138)	3.7 (94)
	DN 100	30 mm	190 mm	235 mm	8	22 mm	89 mm	6.2 (158)	4.5 (114)
DIN PN 10/16	DN 100	26 mm	180 mm	220 mm	8	18 mm	89 mm	6.2 (158)	4.5 (114)

*UNLESS OTHERWISE SPECIFIED DIMENSIONS IN INCHES (MM)		TYPE I		ROSEMOUNT INC. CHANHASSEN, MINNESOTA	
*ALL DIMENSIONS ARE NOMINAL AND ARE FOR REFERENCE ONLY		DR. JOHN ARMSTRONG	1/10/03	TITLE	
		APP'D. DRAWING N. HAYWOOD	3/28/03	DIMENSIONAL DRAWING FOR MODEL 3051L PRESSURE TRANSMITTERS	
		APP'D. DRAWING		SIZE	FSCM.NO.
		APP'D. TAGGING		A	04274
		APP'D. SPECIALS		DRAWING NO.	03031-1030
				SCALE: NONE WT.	SHEET 1 OF 1

