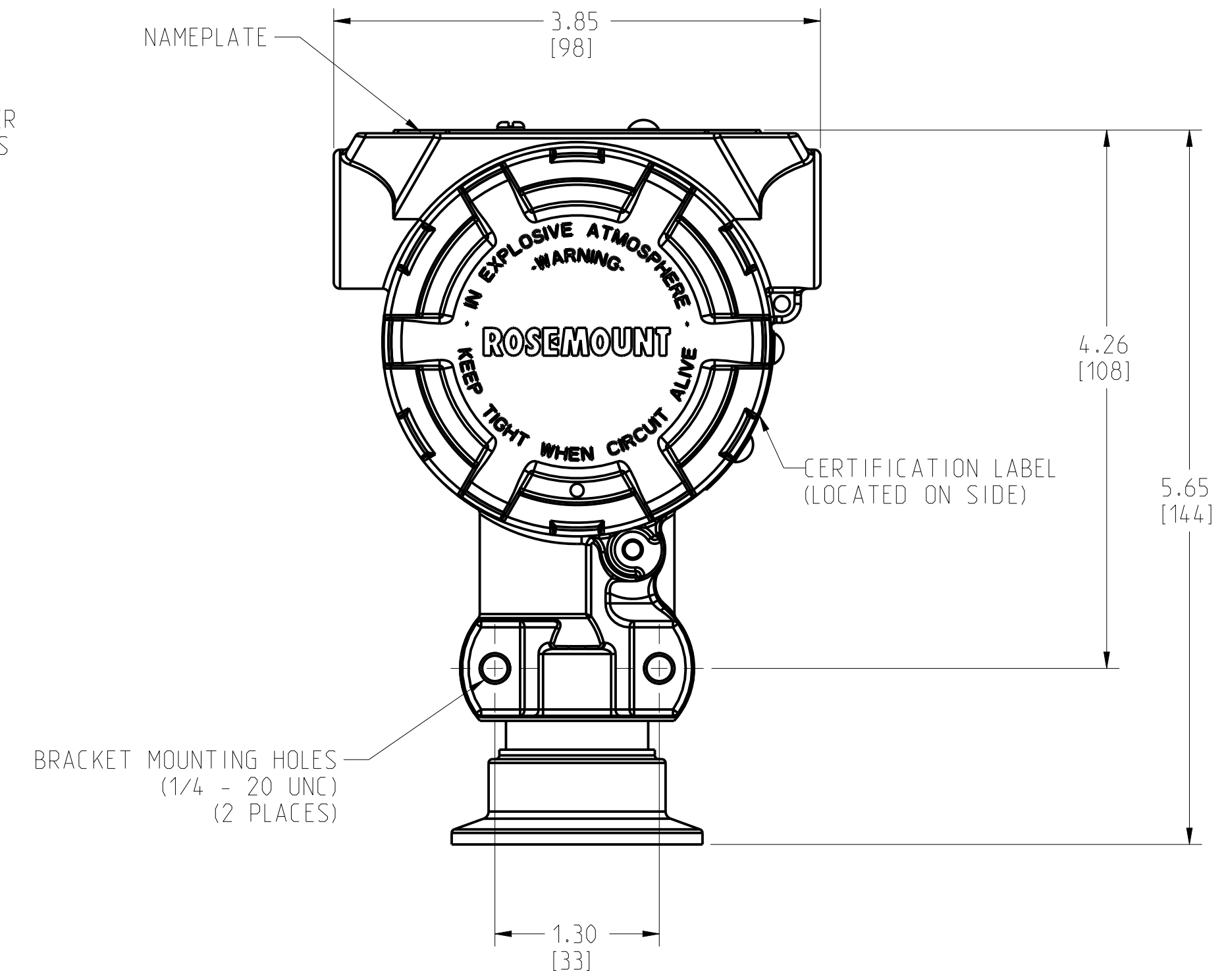
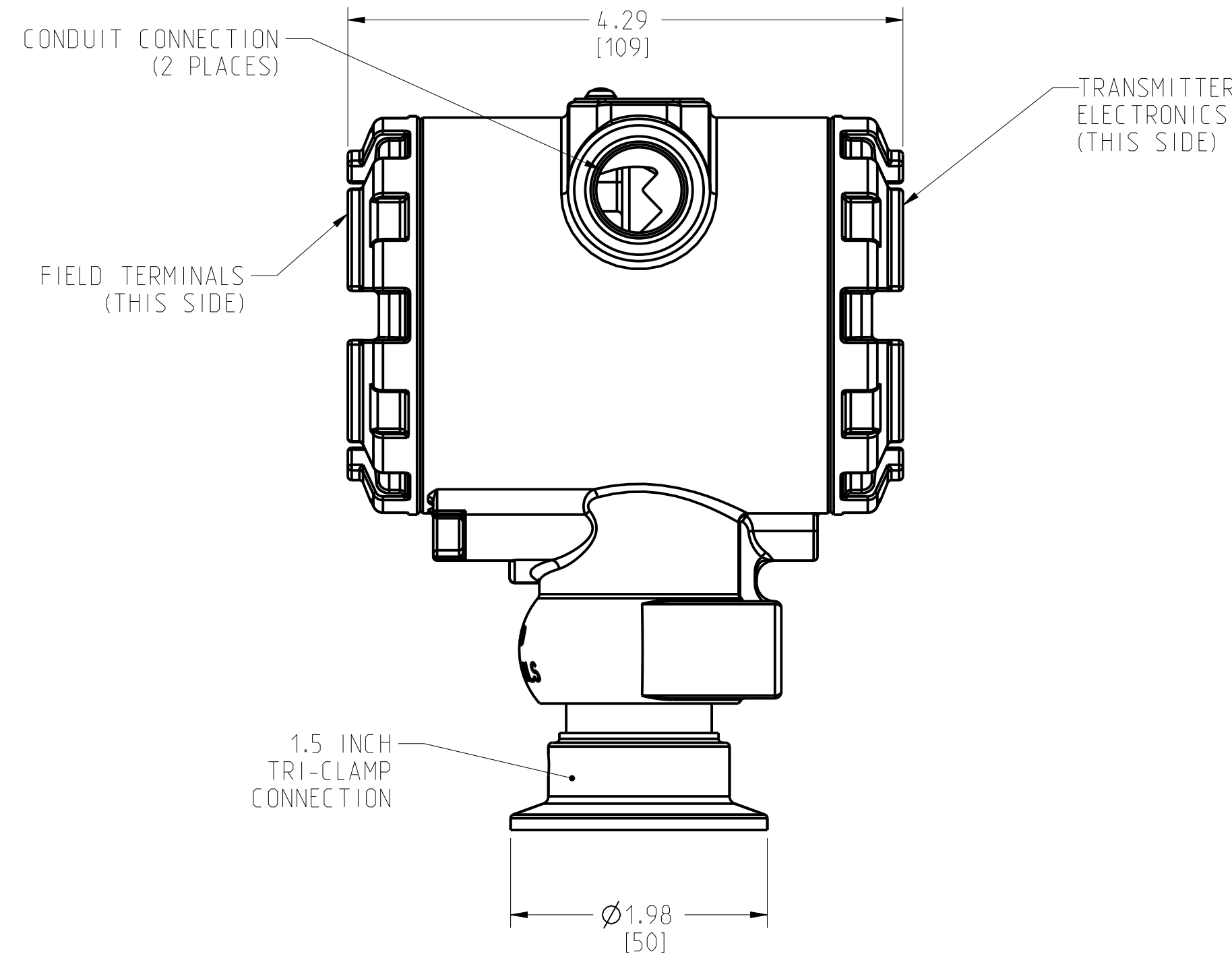
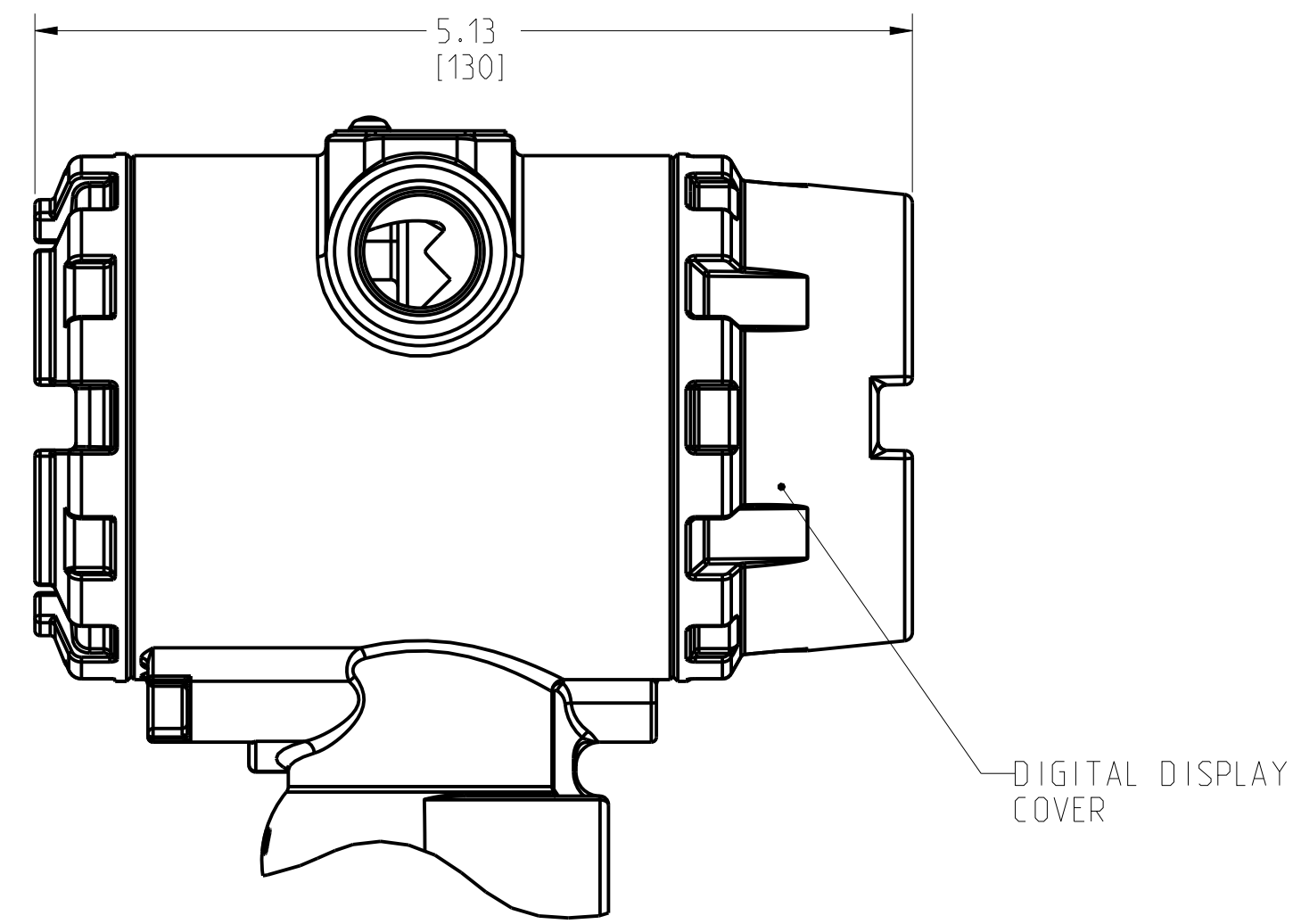


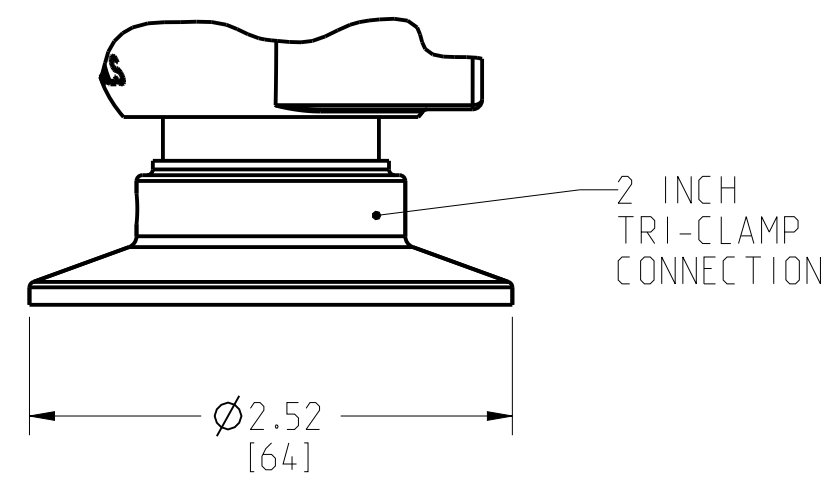
ROSEMOUNT 2090F HYGIENIC PRESSURE TRANSMITTER

REVISION TABLE			
REVISION	ECO NO.	APP'D	DATE
AC	-	-	-
DESCRIPTION			
CONVERT TO PRO E			

SHOWN WITH OPTIONAL DIGITAL DISPLAY



OPTIONAL 2 INCH TRI-CLAMP CONNECTION



2. .75 [19] CLEARANCE REQUIRED TO REMOVE COVERS.
1. ROSEMOUNT INC. CERTIFIES THESE DRAWINGS ARE ACCORDANCE WITH ROSEMOUNT ENGINEERS SPECIFICATIONS AND ACURATELY REPRESENT THE EQUIPMENT FURNISHED.

NOTES:

<small>UNLESS OTHERWISE SPECIFIED CONNECTIONS AND DIMENSIONS INFORMATION IS CONTAINED HEREIN AND MUST BE HANDLED ACCORDINGLY. EMERSON</small>	CUSTOMER	3RD ANGLE	SIZE	SCALE	REV
	CUSTOMER DWG NO.		D	1/1	AC
	P.O. No.	EMERSON ROSEMOUNT [®]			
	S.O. No.	TITLE ROSEMOUNT 2090F HYGIENIC PRESSURE TRANSMITTER			
PROJECT NAME	DR. NV JAC 10/20/10	DRAWING NO.		02088-1033	
APP'D	-	-		-	
DO NOT SCALE PRINT		CAD MAINTAINED. (PRO/E)		PRODUCT CODE	- DOC TYPE - SHEET 1 OF 1

TAG NO. 02088-1033
 DRAWING NO.