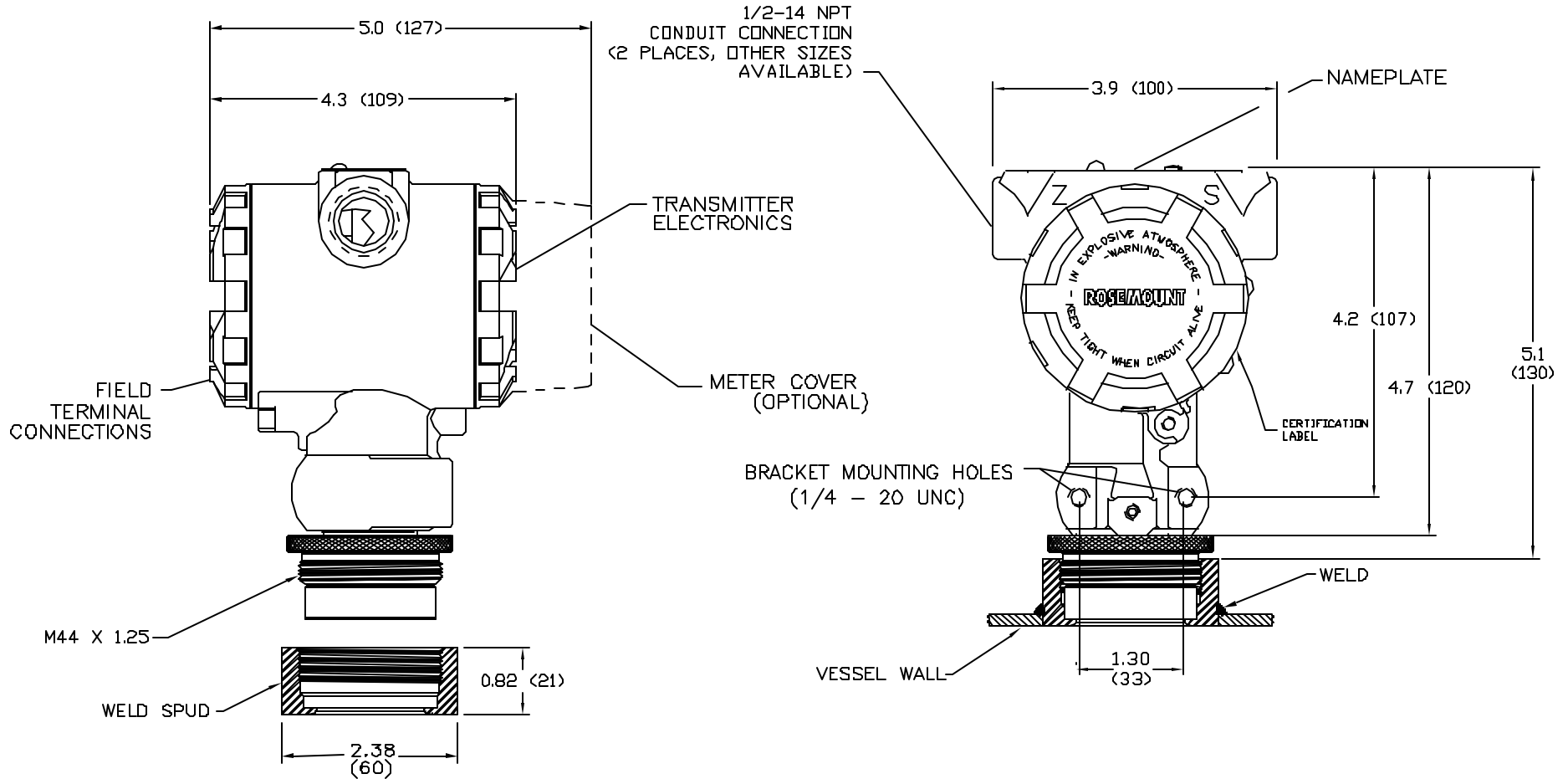



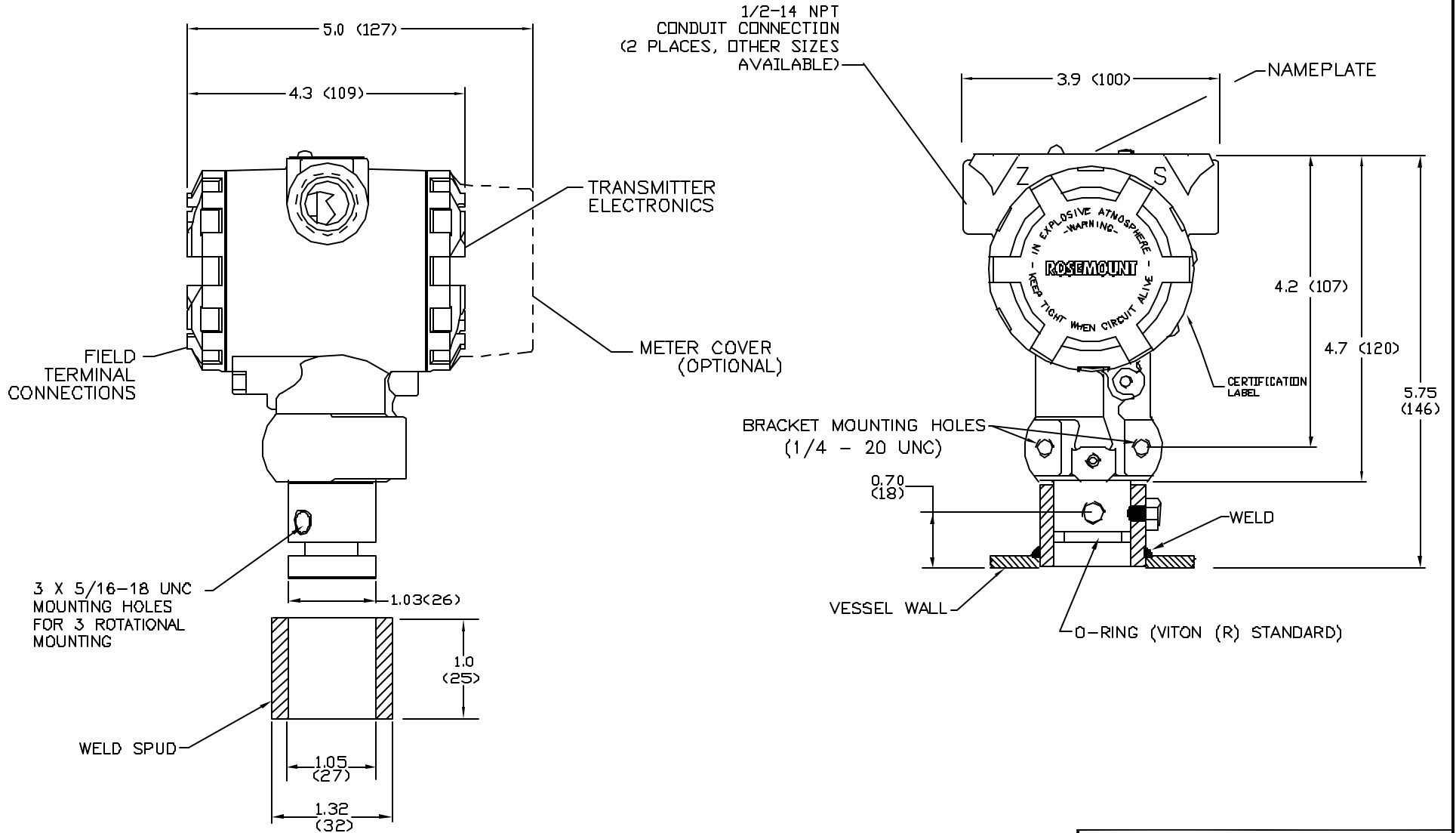
MODEL 2090P PRESSURE TRANSMITTER-1 1/2 INCH THREADED

REVISIONS				
REV	DESCRIPTION	CHG.NO.	APP'D	DATE
AB	CREATE TYPE 1 DRAWINGS	RTG1015144	NJH	4/1/03



THIS DRAWING WAS CREATED ON CAD.			
FILE NAME:			
CUSTOMER:		REF PURCHASE ORDER	
*UNLESS OTHERWISE SPECIFIED DIMENSIONS IN INCHES (MM) *ALL DIMENSIONS ARE NOMINAL AND ARE FOR REFERENCE ONLY 	TYPE I		<b>ROSEMOUNT®</b> CHANHASSEN, MINNESOTA
	DR. JOHN ARMSTRONG	3/7/01	TITLE
	APPROVAL		DIMENSIONAL DRAWING FOR
	DR. N. HAYWOOD	4/1/03	MODEL 2090P PRESSURE TRANSMITTERS
	TAGGING		SIZE A
SPECIALS		SCALE:NDNE	SHEET 1 OF 2

MODEL 2090P PRESSURE TRANSMITTER—1 INCH FLUSH MOUNT



THIS DRAWING WAS CREATED ON CAD. VELLUM MASTER IS NOT TO BE CHANGED. DRAWING IS ARCHIVED ON MAGNETIC TAPE FOR ECO CHANGES.

**ROSEMOUNT** INC.  
MINNEAPOLIS, MINN.

DR	SIZE A	FSCM.NO. 04274	DRAWING NO. 02088-1031
ISSUE	SCALE:	WT.	SHEET 2 OF 2