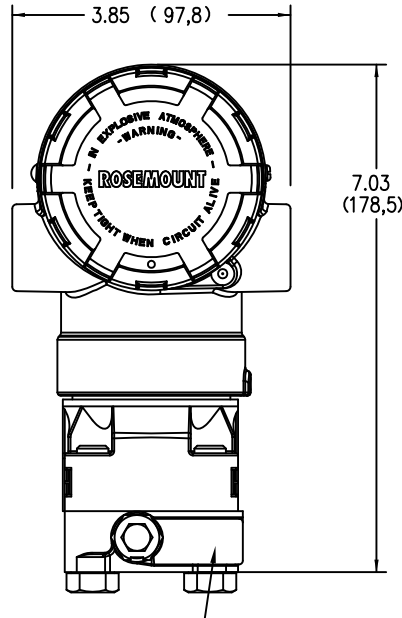
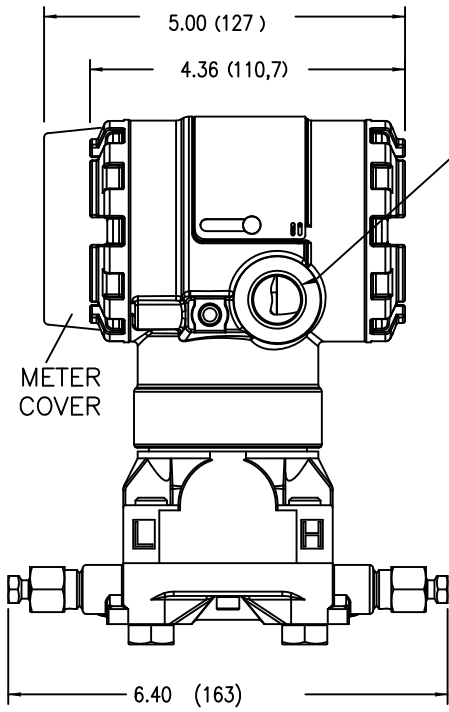
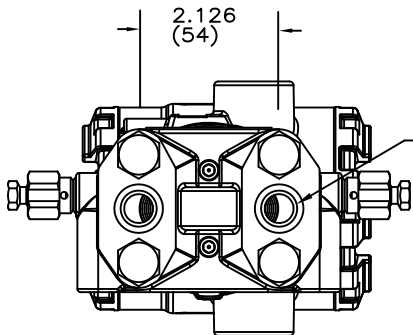
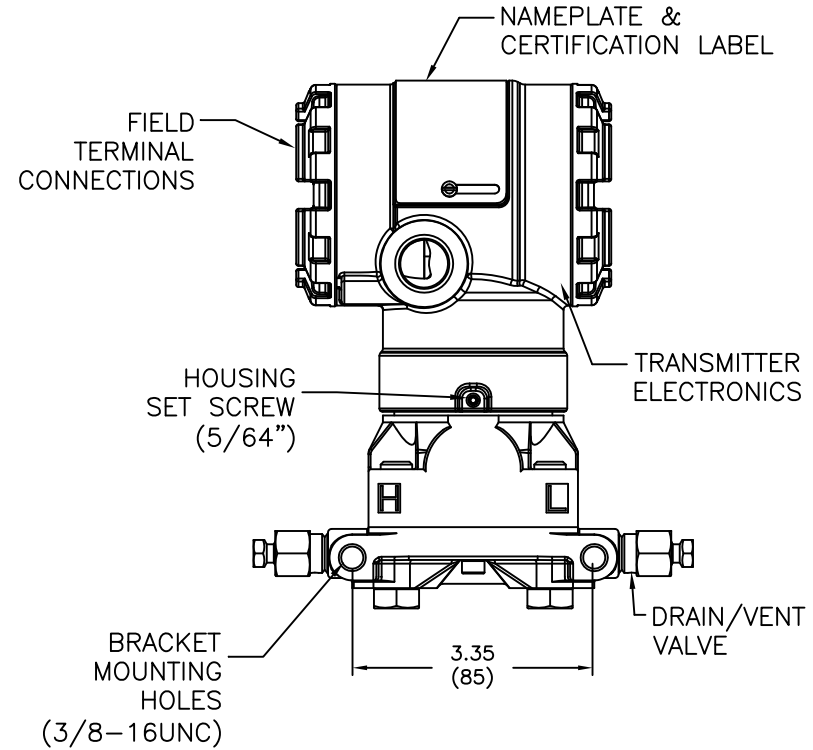


2051 PRESSURE TRANSMITTER—COPLANAR FLANGE

REVISIONS				
REV	DESCRIPTION	CHG.NO.	APP'D	DATE
AA	NEW RELEASE TYPE 1	RTC1026528	JLA	7/9/08



COPLANAR FLANGE
PROCESS CONNECTION
PER IEC 61518
2.126(54) ±.012"
CONNECTION CENTERS

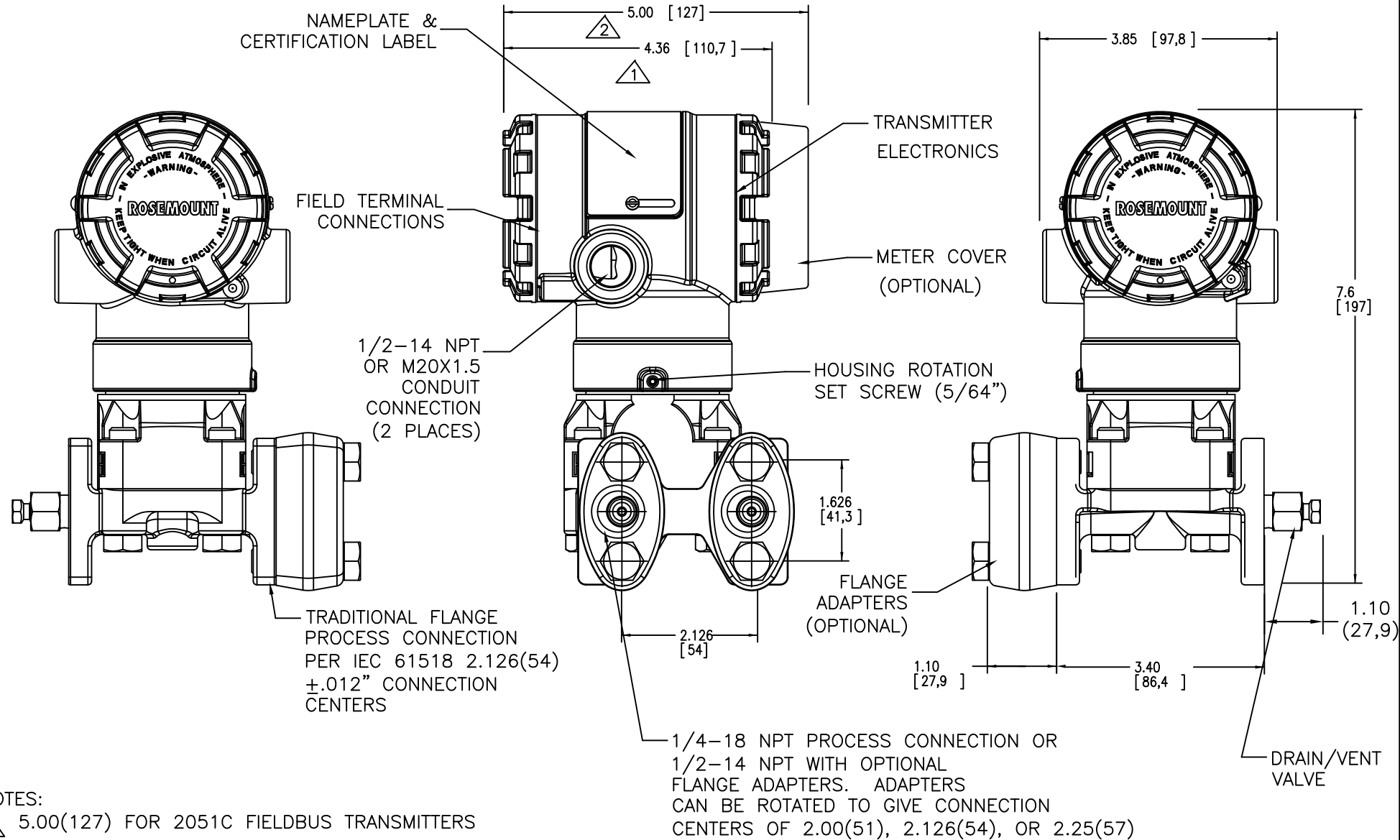


NOTES:

- ① 5.00(127) FOR 2051C FIELDBUS TRANSMITTERS.
- ② 5.46(138,7) FOR 2051C FIELDBUS TRANSMITTER. WITH OPTIONAL LCD

*UNLESS OTHERWISE SPECIFIED DIMENSIONS IN INCHES (MM)		TYPE I		ROSEMOUNT CHANHASSEN, MINNESOTA		
*ALL DIMENSIONS ARE NOMINAL AND ARE FOR REFERENCE ONLY		DR. JOHN ARMSTRONG	6/26/08	TITLE		
		APPROVAL		DIMENSIONAL DRAWING FOR		
		DWG N HAYWOOD		2051C PRESSURE TRANSMITTER		
		TAGGING		SIZE	DRAWING NO.	
		SPECIALS		A	02051-7710	
		SCALE:NONE		SHEET 1 OF 2		

2051 PRESSURE TRANSMITTER— TRADITIONAL FLANGE



NOTES:

① 5.00(127) FOR 2051C FIELDBUS TRANSMITTERS

② 5.46(138.7) FOR 2051C FIELDBUS TRANSMITTERS WITH OPTIONAL LCD

ROSEMOUNT®
CHANHASSEN, MINN.

SIZE	FSCM.NO.	DRAWING NO.
A		02051-7710
SCALE:		SHEET 2 OF 2