

REVISIONS				
REV	DESCRIPTION	CHG.NO.	APP'D	DATE
AA	NEW RELEASE	RTC1023101	C.M.	12/08/06
AB	ADD 2.4 GHZ ANTENNA	RTC1024372	CM	8/7/07
AC	ADD WIRELESS HART	RTC1025193	CM	1/3/08
AD	ADD REMOTE WIRELESS	RTC1026314	CM	6/10/08
AE	ADD MORE DIMS AND TOLERANCES	RTC1026314	JB	11/2/08

LOWER COVER REMOVE FOR ELECTRICAL CONNECTIONS

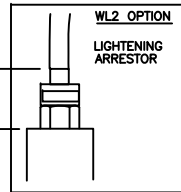
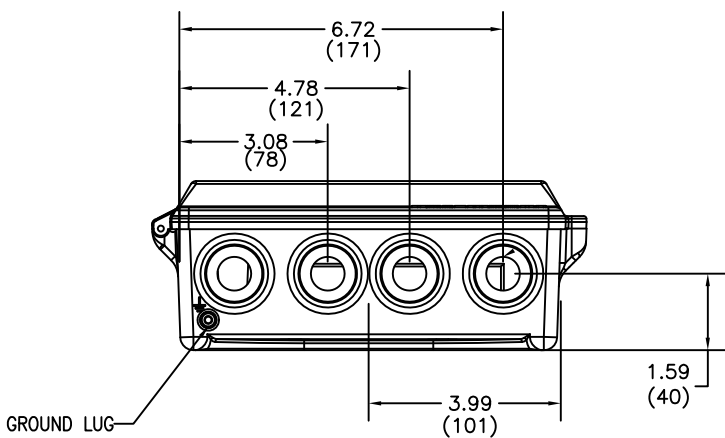
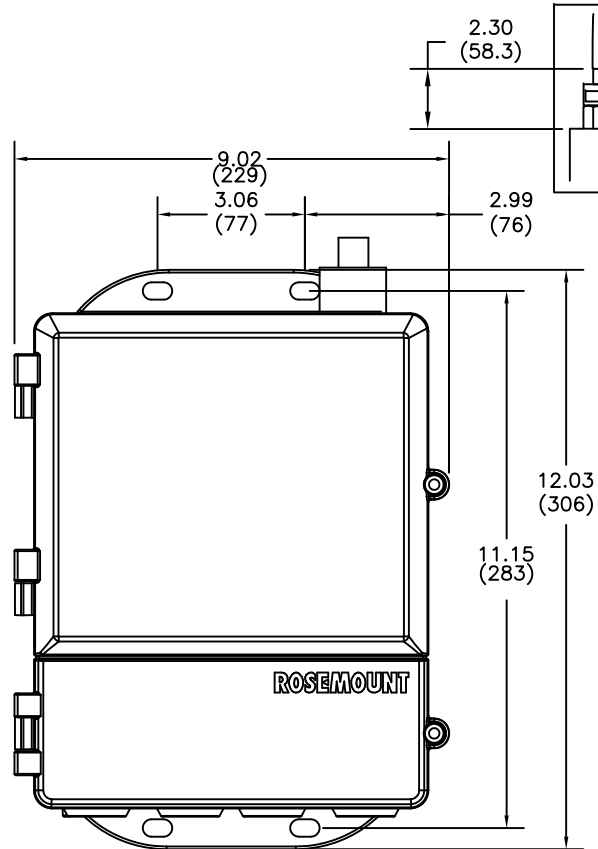
-TOLERANCES-
 .X + .1 (2.54)
 .X + .02 (.5)
 .XXX + .010 (.25)

*UNLESS OTHERWISE SPECIFIED DIMENSIONS IN INCHES (MM)

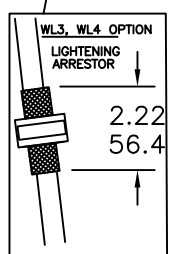
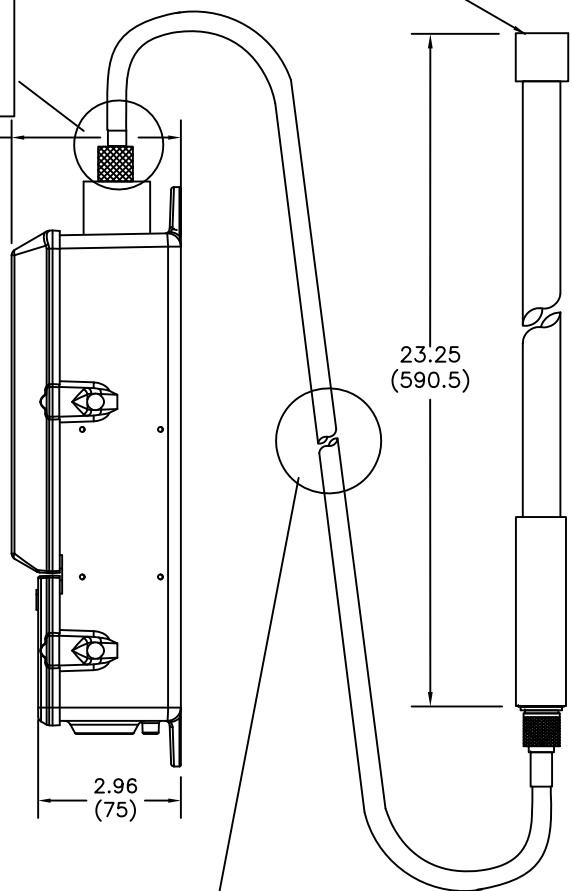
EMERSON
Process Management

TYPE 1 ROSEMOUNT® CHANHASSEN, MINNESOTA

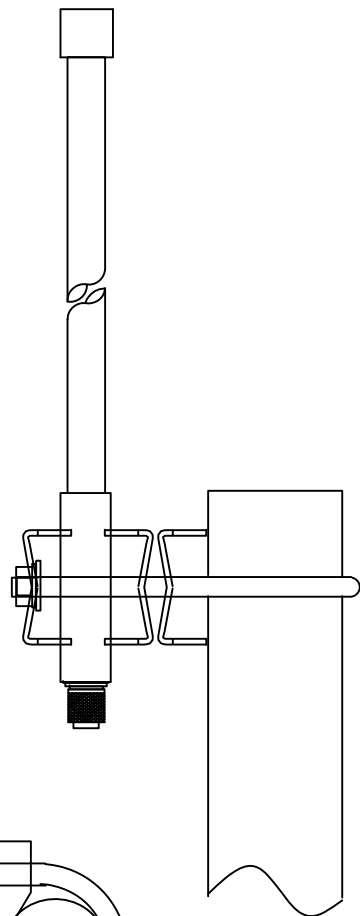
DR. JOHN ARMSTRONG	12/18/06	TITLE	DIMENSIONAL DRAWING FOR MODEL 1420 WIRELESS GATEWAY
APP'D. DRAWING C MCGUIRE	12/18/06		
APP'D. DRAWING			
APP'D. TAGGING		SIZE A	
APP'D. SPECIALS		DRAWING NO. 01420-7000	
		SCALE: NONE	SHEET 1 OF 3



Antenna 902-928 MHz



REMOTE WIRELESS 900 mHz

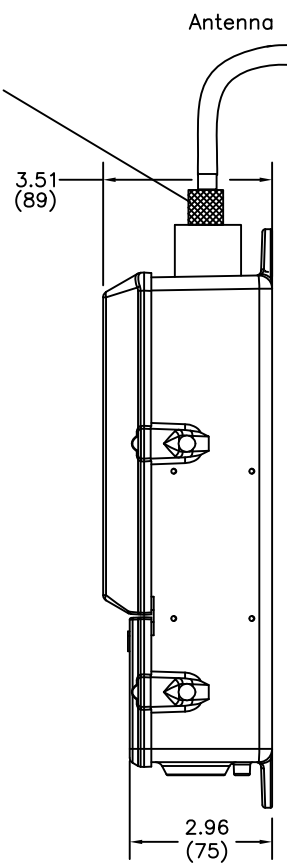
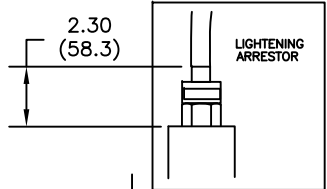
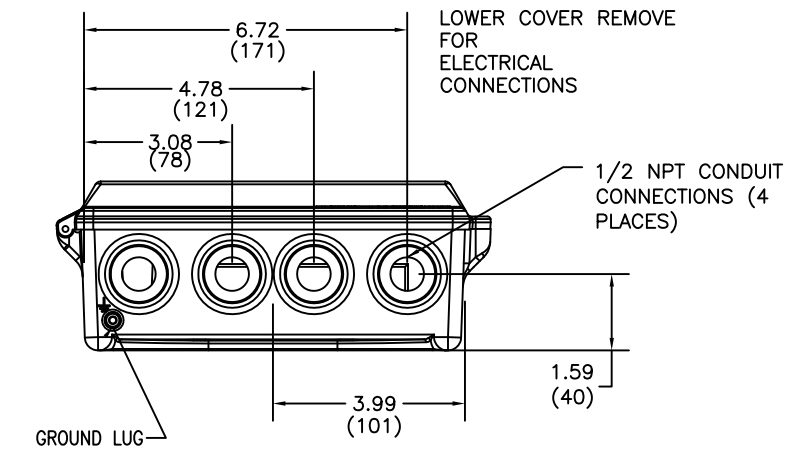
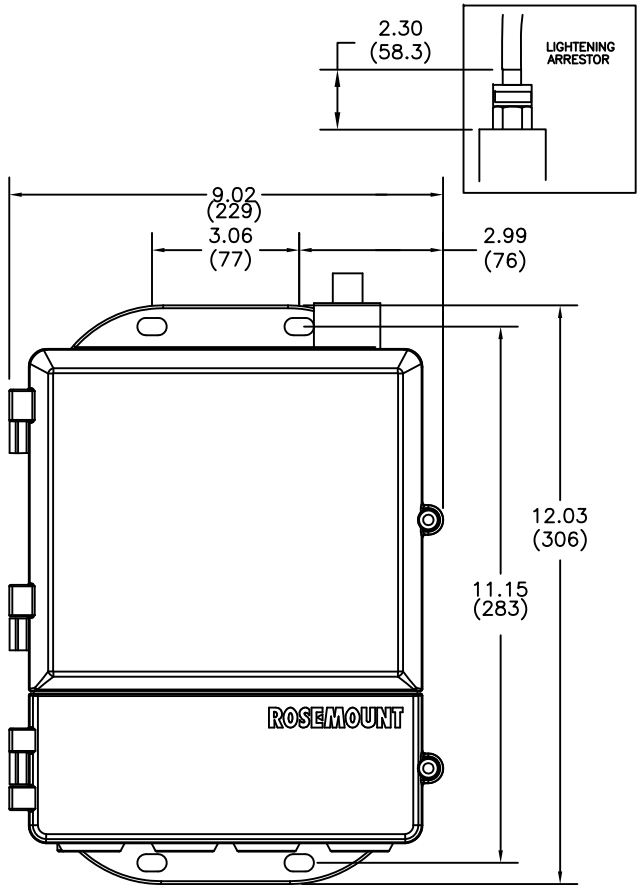


PIPE MOUNTING BRACKET

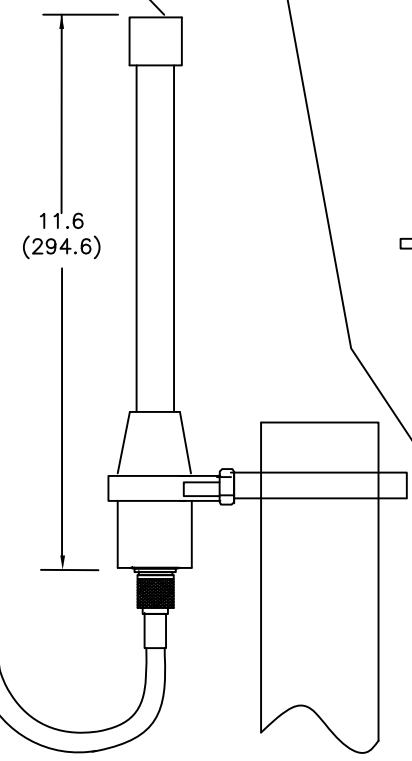
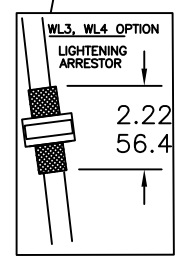
ACCOMMODATES 1.00 O.D. THRU 2.38 O.D MAST

ROSEMOUNT®
CHANHASSEN, MINN.

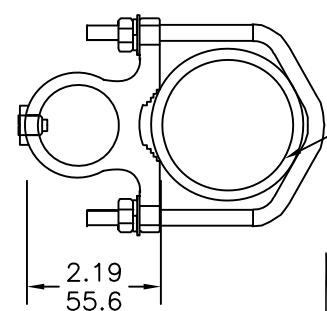
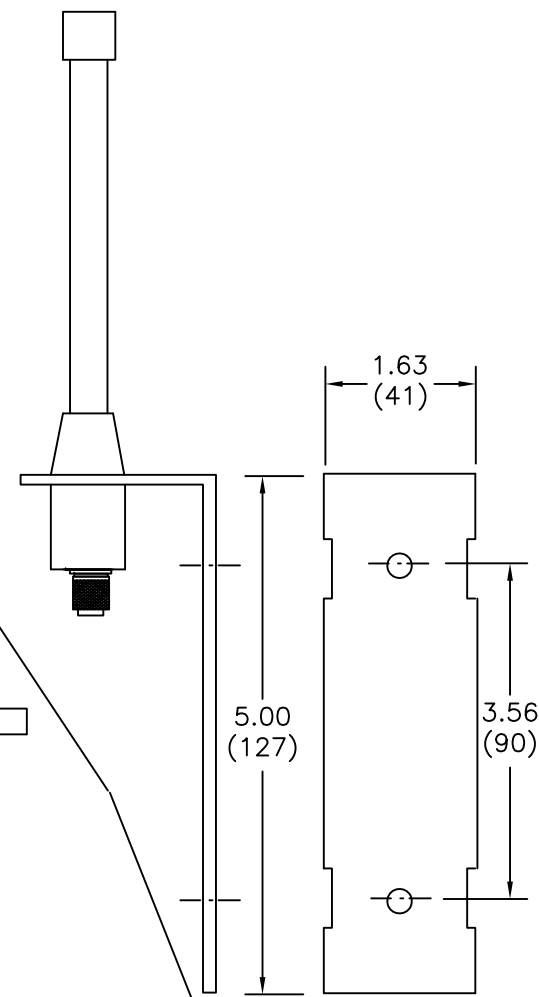
SIZE	FSCM.NO.	DRAWING NO.
A		01420-7000
SCALE:		SHEET 2 OF 3



Antenna 2.4-2.483 GHz



REMOTE WIRELESS 2.4 GHz



ACCOMMODATES 1.00 O.D. THRU 2.38 O.D MAST

ROSEMOUNT®
CHANHASSEN, MINN.

SIZE A	FSCM.NO.	DRAWING NO. 01420-7000
SCALE:		SHEET 3 OF 3