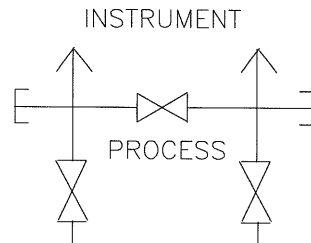
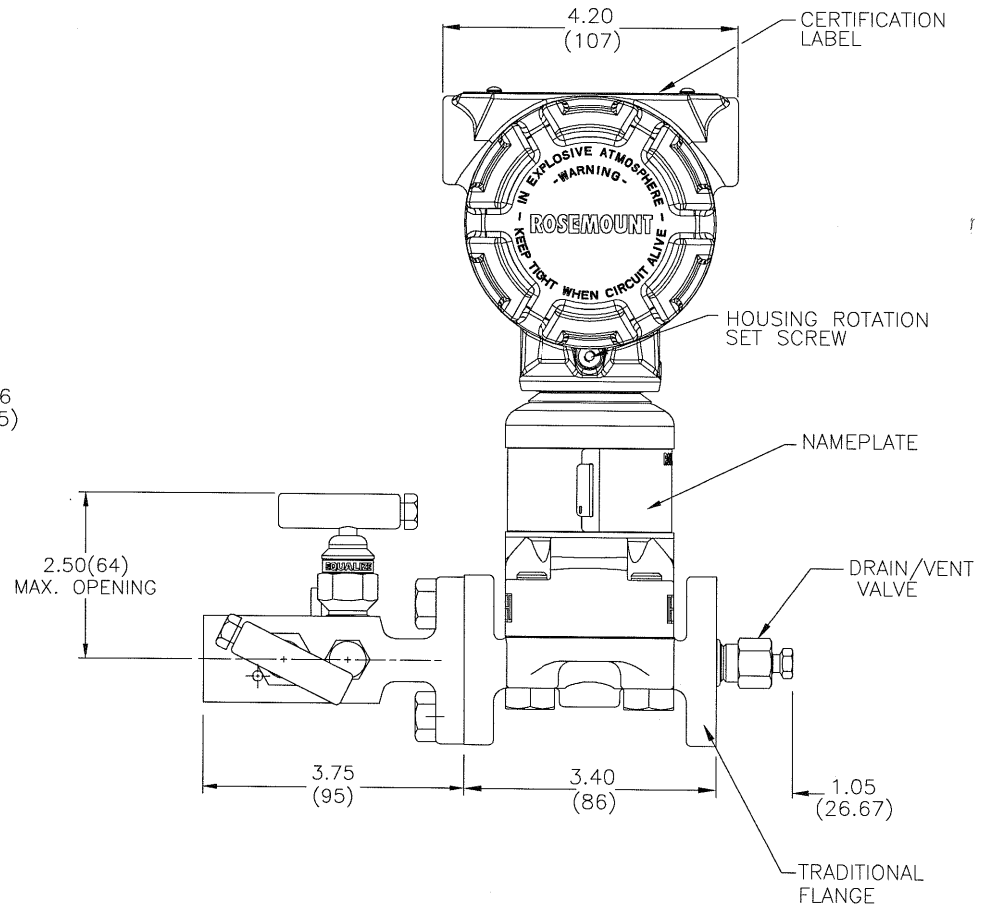
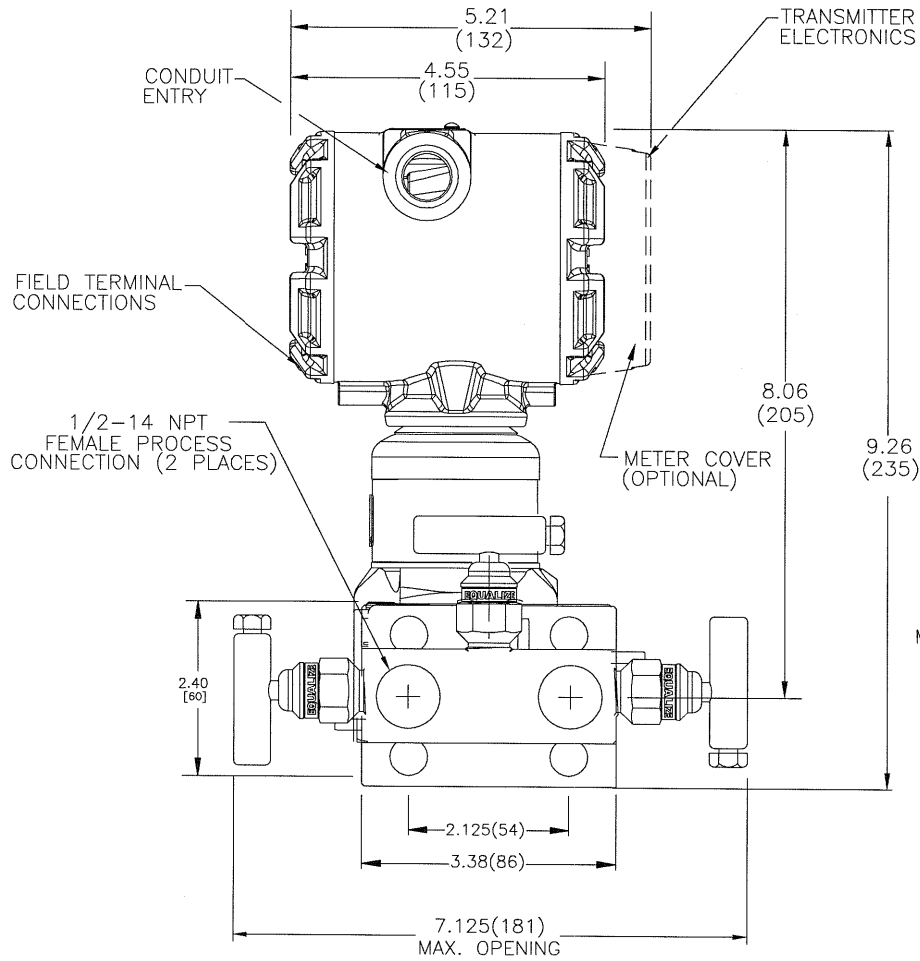


3051S PRESSURE TRANSMITTER

CONVENTIONAL THREE VALVE MANIFOLD (01166-0021)

-MANIFOLD PART NUMBERS: 01166-0021-0001 AND 01166-0021-0002

REVISIONS				
REV	DESCRIPTION	CHG.NO.	APP'D	DATE
AA	NEW RELEASE	RTC1015556	NH	5/29/03

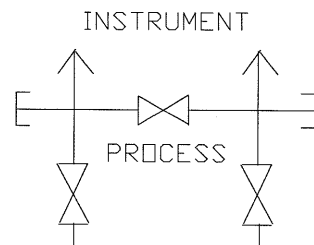
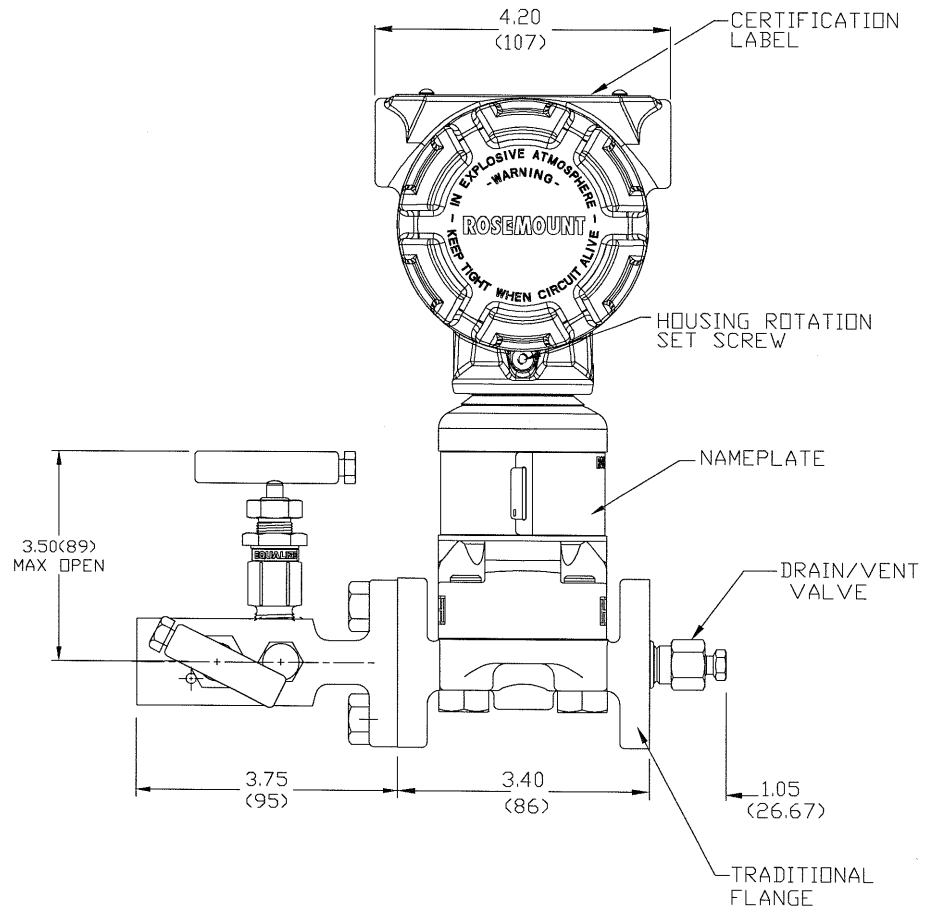
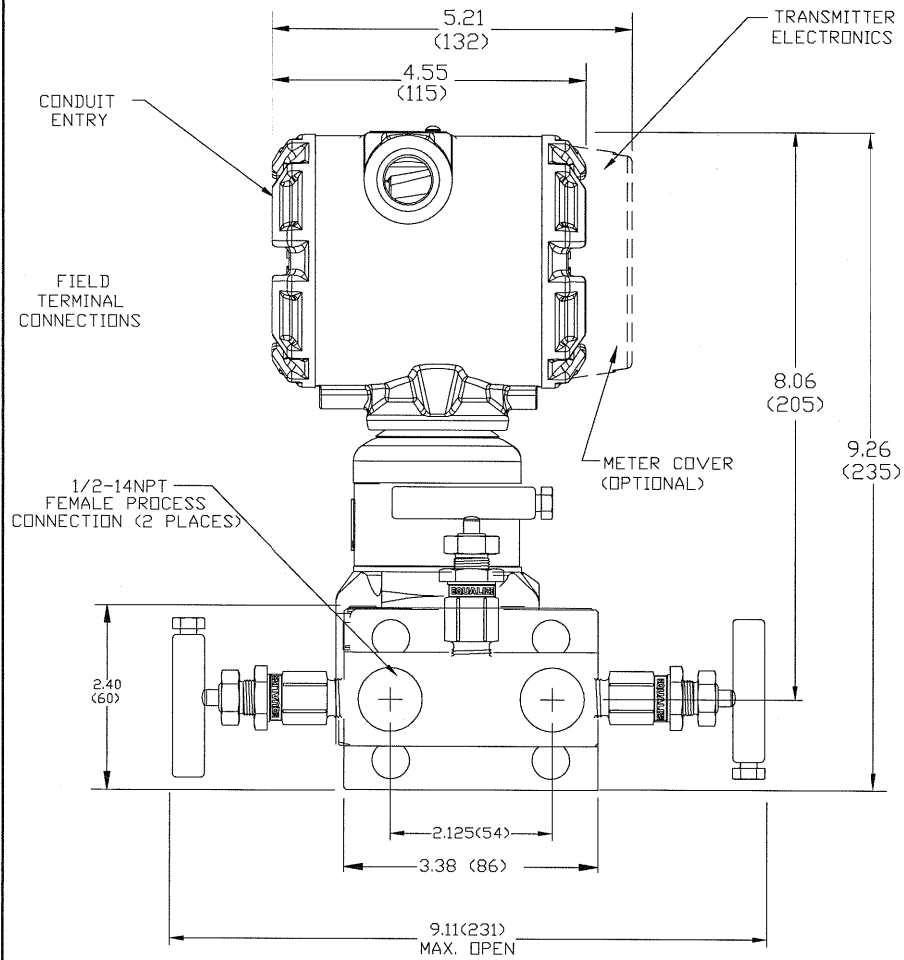


*UNLESS OTHERWISE SPECIFIED DIMENSIONS IN INCHES (MM) *ALL DIMENSIONS ARE NOMINAL AND ARE FOR REFERENCE ONLY		TYPE I		<b>ROSEMOUNT®</b> CHANHASSEN, MINNESOTA	
		DR. JOHN ARMSTRONG 03/16/03 APPROVAL DR. N. HAYWOOD		TITLE DIMENSIONAL DRAWING FOR MODEL 3051S AND CONVENTIONAL THREE VALVE FLANGE BY PIPE MANIFOLD (01166-0021)	
TAGGING		SIZE A		DRAWING NO. 01166-6001	
SPECIALS		SCALE: NONE		SHEET 1 OF 4	



3051S PRESSURE TRANSMITTER-TRADITIONAL FLANGE & CONVENTIONAL THREE VALVE FLANGE BY PIPE MANIFOLD (01166-0021)

-MANIFOLD PART NUMBERS: 01166-0021-1001 & 01166-0021-1002

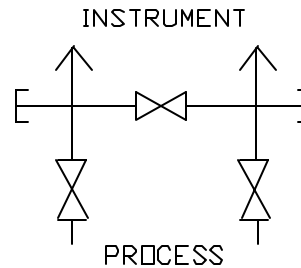
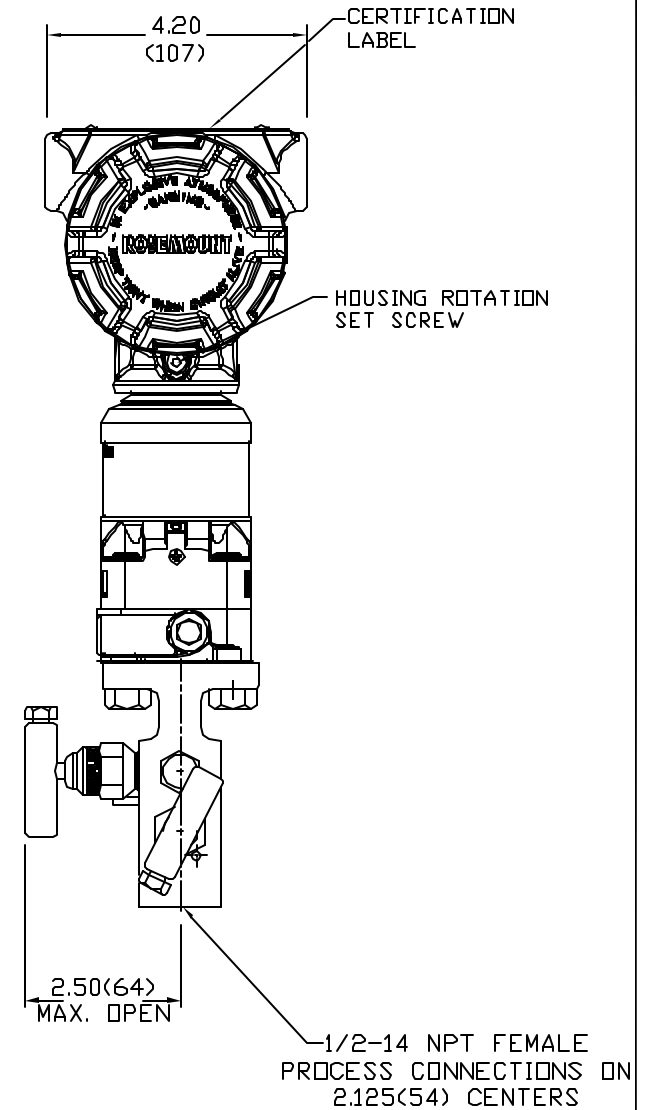
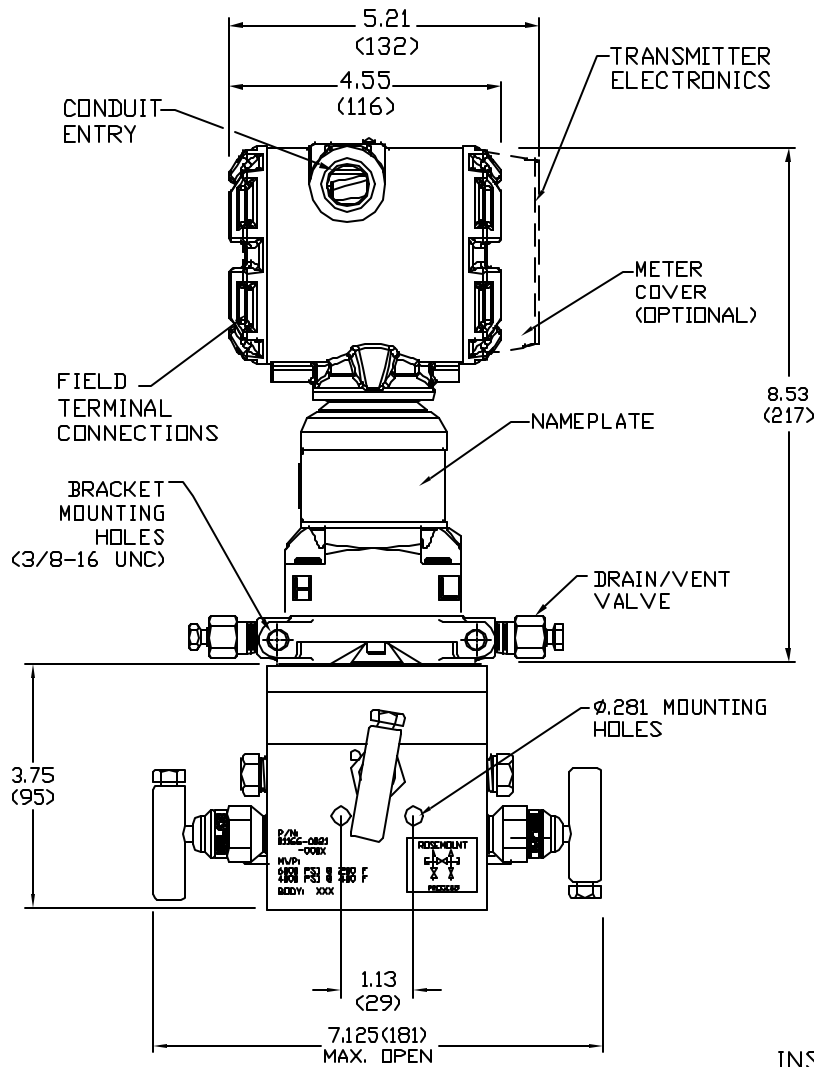


**ROSEMOUNT®**  
CHANHASSEN, MINNESOTA

SIZE A	DRAWING NO. 01166-6001
SCALE:	SHEET 2 OF 4

3051S PRESSURE TRANSMITTER-COPLANAR FLANGE & CONVENTIONAL THREE VALVE FLANGE BY PIPE MANIFOLD (01166-0021)

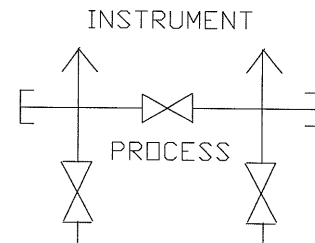
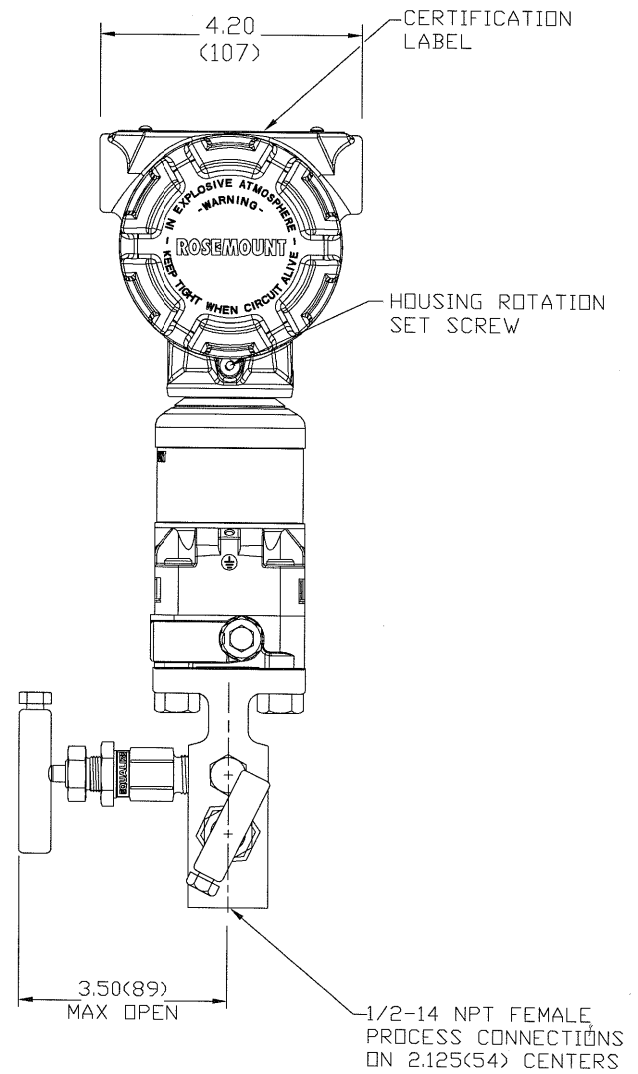
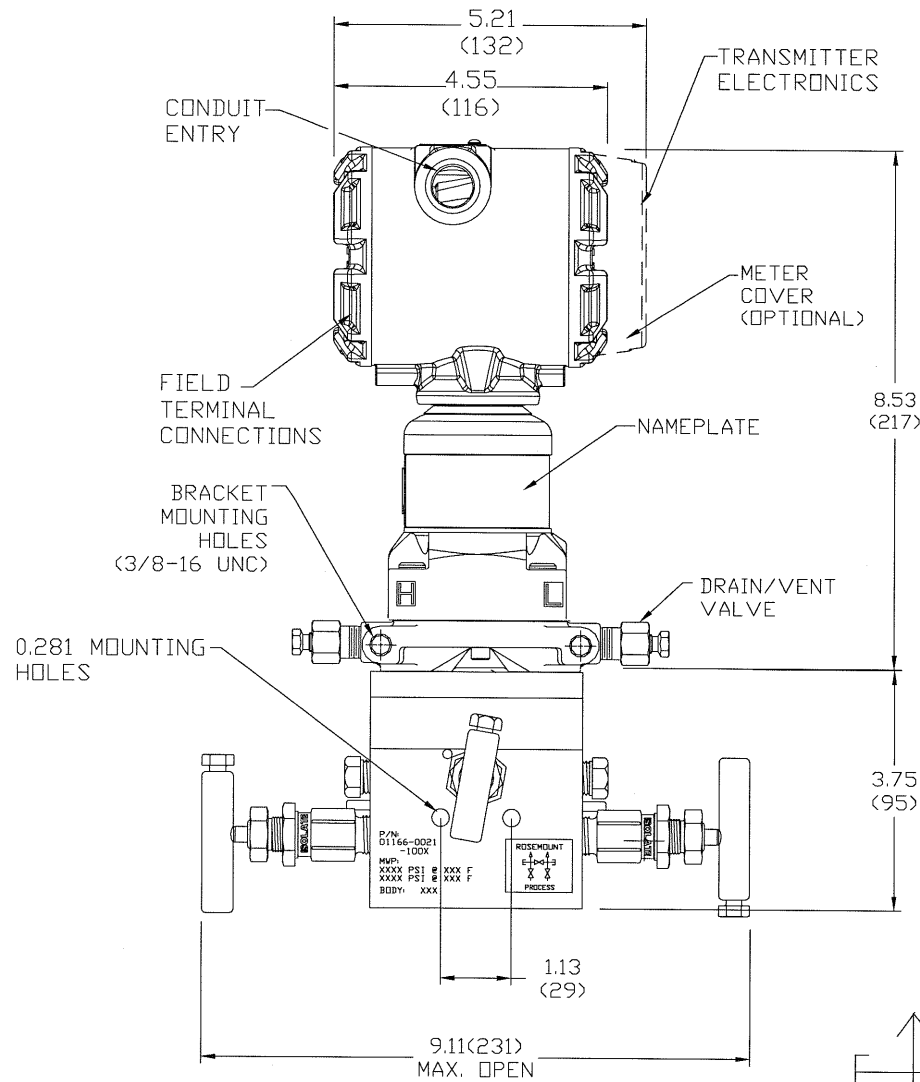
-MANIFOLD PART NUMBERS: 01166-0021-0001 & 01166-0021-0002



<b>ROSEMOUNT®</b> CHANHASSEN, MINNESOTA		DRAWING NO.	01166-6001
		SIZE	A
SCALE:		SHEET	30F 4

3051S PRESSURE TRANSMITTER-COPLANAR FLANGE & CONVENTIONAL THREE VALVE FLANGE BY PIPE MANIFOLD (01166-0021)

-MANIFOLD PART NUMBERS: 01166-0021-1001 & 01166-0021-1002



<b>ROSEMOUNT®</b> CHANHASSEN, MINNESOTA	
SIZE A	DRAWING NO. 01166-6001
SCALE:	SHEET 4 OF 4