

Vortex Technology Improves Fluidized Catalytic Cracker Unit Profits and Performance

RESULTS

- Saved maintenance cost of \$245,280 annually
- Increased process uptime with fewer shutdowns
- Eliminated harmful emissions with all-welded design
- Improved measurement reliability material balance to within 1%



APPLICATION

Fluidized Catalytic Cracker Unit (FCCU)

Application Characteristics

Hot oil purge line replacement

CUSTOMER

An oil refinery in North America

CHALLENGE

This oil refinery had been experiencing plugged impulse lines with very hot and viscous black slurry oil with catalyst fines in their DP orifice plates at the fractionator bottoms. In order to prevent this plugging, a higher grade flushing oil is used to purge the impulse lines of any catalyst fines before they can cause plugging. Plugged impulse lines result in inaccurate measurement and loss of accurate measurements, creating inefficiencies and poor mass balances on the system. Plugged impulse lines also result in increased maintenance costs due to the time and effort required to clear the impulse lines and bring the system back online.

In addition, the origin of the purge oil may change several times throughout the year, resulting in changes in specific gravity depending on the grade of fluid used in the purge process. These changes in specific gravity can also cause significant errors in the material balance of the process.

SOLUTION

This particular refinery installed a Rosemount 8800 Vortex Flowmeter to measure the fractionator bottoms, and two Vortex Flowmeters on the reflux pumparound circuit. The higher temperature capability of the Rosemount Vortex Flowmeter combined with the non-clog design eliminated the need for the flush oil purge process typically used to prevent plugging of impulse lines, with yearly flush oil cost savings of \$245,280 (.04 gal / min / impulse line flush oil flowrate).

Eliminating impulse lines and hot oil purges saved \$245,280 annually.

ROSEMOUNT[®]

For more information:
www.rosemount.com


EMERSON[™]
Process Management

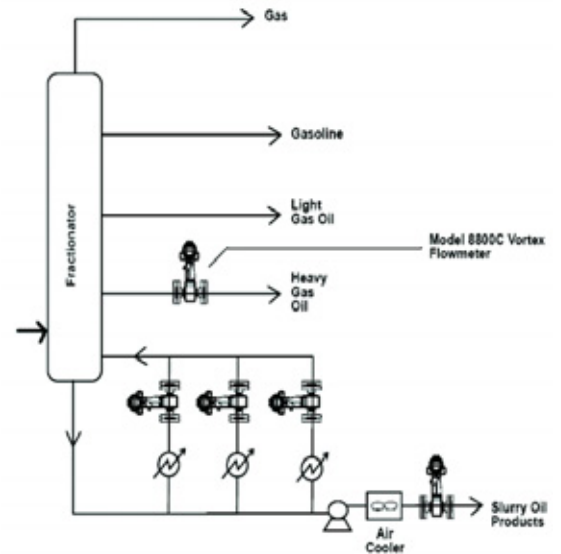
In addition, the customer was able to bring the material balance within 1% on a 90,000 bbl/day FCCU, giving them the ability to control the process more tightly, resulting in higher product yields and reduced raw material costs.

An additional benefit of using the Rosemount 8800 were decreased unscheduled shutdowns as the process no longer needed to be shutdown to deal with plugged impulse piping. The Rosemount 8800 Vortex Flowmeter has also reduced the fugitive emissions potential with the all-welded design.

RESOURCES

8800 Vortex Meter Product Data Sheet

<http://www.emersonprocess.com/rosemount/document/pds>



Typical diagram for a fractionator

The Emerson logo is a trademark and service mark of Emerson Electric Co. Rosemount and the Rosemount logotype are registered trademarks of Rosemount Inc. All other marks are the property of their respective owners.

Emerson Process Management

Rosemount Division
8200 Market Boulevard
Chanhausen, MN 55317 USA
T (U.S.) 1-800-999-9307
T (International) (952) 906-8888
F (952) 949-7001
www.rosemount.com

Emerson Process Management Flow

Wiltonstraat 30
3905KW Veenendaal
The Netherlands
Tel +31 (0) 318 495 555
Fax +31(0) 318 495 556

Emerson Process Management

Emerson Process Management Asia Pacific
Private Limited
1 Pandan Crescent
Singapore 128461
T (65) 6777 8211
F (65) 6777 0947
Enquiries@AP.EmersonProcess.com

ROSEMOUNT

For more information:
www.rosemount.com

EMERSON
Process Management