



## Application & Configuration Data Sheet, continued

\*=Indicates default factory configuration.

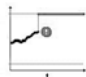
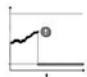
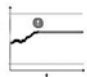
**Analog Output (4-20 mA analog output), not applicable for FOUNDATION™ fieldbus devices - Information is required if C1 is ordered**

**Primary Variable (PV)**     Level\*     Distance     Volume     Level Rate<sup>(1)</sup>     Signal Strength<sup>(2)</sup>

**Lower Range Value (4 mA)** \_\_\_\_\_ (use the selected variable unit on previous page)

**Upper Range Value (20 mA)** \_\_\_\_\_ (use the selected variable unit on previous page)

**Alarm Mode**     High\*     Low     Freeze

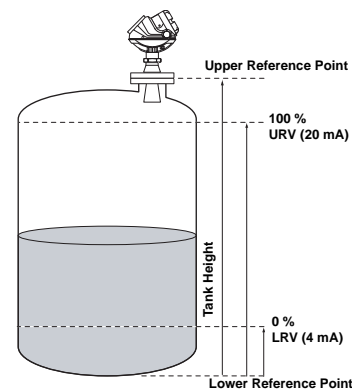
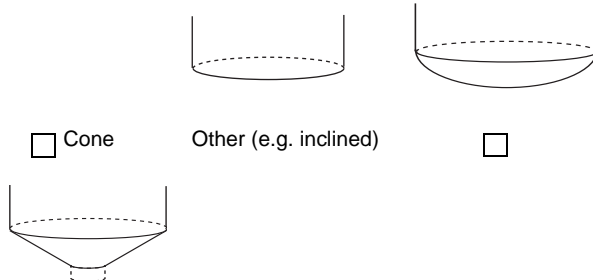
**Tank Geometry - Information is required if C1 is ordered**

**Tank Shape**    Select a tank type corresponding to the actual tank on which the device is mounted. If the device is mounted on a tank type that is not available as an individual selection choose Unknown.

- Unknown\*     Vertical Cylinder     Horizontal Cylinder  
 Spherical     Cubical<sup>(3)</sup>

**Tank Bottom<sup>(4)</sup>**    Select a Tank Bottom Type that corresponds to the actual shape of the tank bottom.

- Unknown\*     Flat<sup>(5)</sup>     Dome/Dish/Bullet



**Tank Height** \_\_\_\_\_ (use variable unit chosen on previous page)

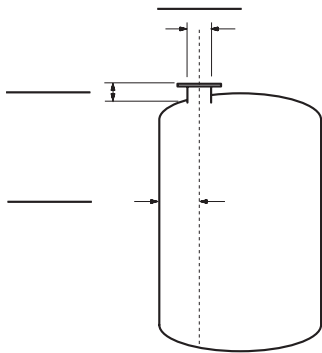
- (1) Always in selected level unit per second.  
 (2) Always in mV.  
 (3) A cubical tank type is defined as a box shaped tank with right angles.  
 (4) Tank Bottom Type is only applicable for Vertical Cylinder and Cubical tanks.  
 (5) Bottom of the tank is < 5°.

## Application & Configuration Data Sheet, continued

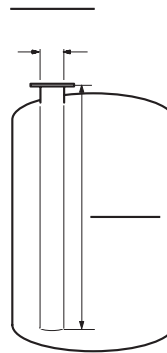
**Fitting Dimensions - Information is required if C1 is ordered**

Please fill in the dimensions (according to selected variable unit)

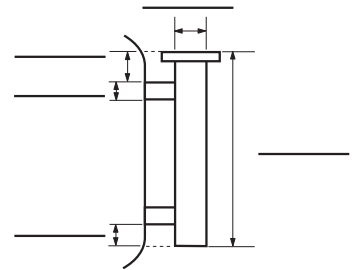
Nozzle



Stilling Well



Bypass Pipe



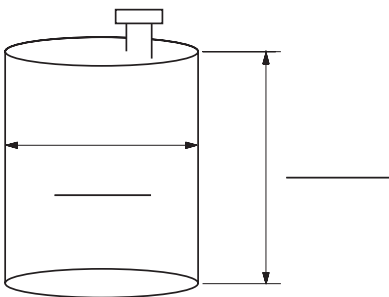
# Application & Configuration Data Sheet, continued

## VOLUME CONFIGURATION

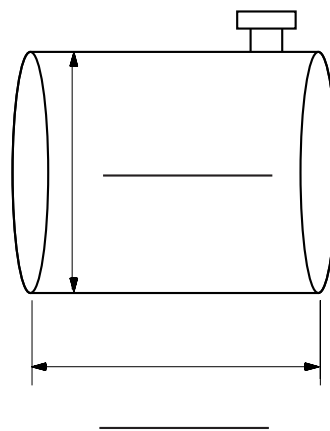
**Volume Configuration Information (total volume calculation only) - Required if C1 is ordered and Volume is chosen variable**

Volume is calculated based on ideal tank types or a strapping table. Please mark the box that corresponds to your tank type and fill in dimensions on the lines according to the previously selected variable unit.

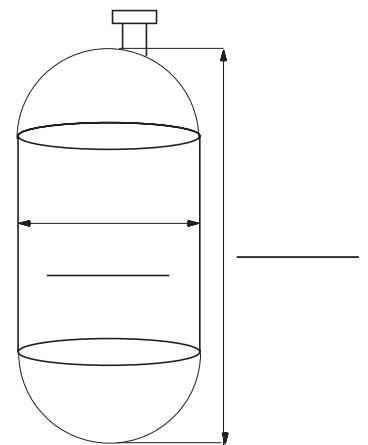
Vertical Cylinder



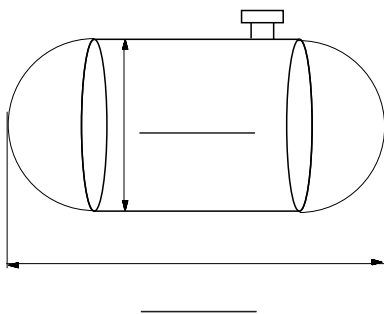
Horizontal Cylinder



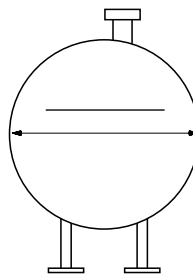
Vertical Cylinder with Bullet Ends



Horizontal Cylinder with Bullet Ends



Sphere



# Rosemount 5400 Series

---

**Product Data Sheet**  
00813-0100-4026, Rev EA  
October 2005



## Product Data Sheet

00813-0100-4026, Rev EA

October 2005

# Rosemount 5400 Series

### Rosemount Level Solutions

Emerson provides a complete range of Rosemount products for level measurement applications.

#### Pressure – Level or Interface Measurement

Emerson has a complete line of Rosemount pressure transmitters and remote seals for measuring level or interfaces in liquid applications. Optimize performance with direct mount, Tuned Seal systems:

- Rosemount 3051S\_L, 3051L, and 1151LT Liquid Level Transmitters
- Rosemount 1199 Remote Diaphragm Seals with direct mount or capillary connections

#### Guided Wave Radar – Level and Interface Measurement

The reliable Rosemount 3300 Series consists of:

- Rosemount 3301 for level measurements of liquids and solids
- Rosemount 3302 for level and interface measurement of liquids

Both can be equipped with a wide range of probes for different applications.

#### Non-contacting Radar – Level Measurement

The Rosemount non-contacting radar family consists of:

- Rosemount 5400 Series Transmitters – The two loop-powered models utilize different transmitter frequencies, and both can be equipped with a wide range of antennas for liquid level measurement in most applications and process conditions
- Rosemount 5600 Series Transmitters – These radar level transmitters have ultra-high sensitivity and are the perfect choice for measuring level of liquids and solids, even for the most challenging applications

#### Vibrating Fork Switches – Point Level Detection

The Rosemount 2100 Series is developed for reliable point level measurement of liquids and consists of:

- Rosemount 2110 Compact Vibrating Fork Liquid Level Switch
- Rosemount 2120 Universal Vibrating Fork Liquid Level Switch

*Rosemount and the Rosemount logotype are registered trademarks of Rosemount Inc.  
PlantWeb is a registered trademark of one of the Emerson Process Management group of companies.  
HART is a registered trademark of the HART Communication Foundation  
Teflon, Viton, and Kalrez are registered trademarks of Du Pont Performance Elastomers.  
FOUNDATION is a trademark of the Fieldbus Foundation.  
DeltaV is a trademark of Emerson Process Management group of companies.  
Hastelloy is a registered trademark of Haynes International.  
Monel is a registered trademark of International Nickel Co.  
All other marks are the property of their respective owners.*

#### Emerson Process Management, Rosemount Inc.

##### The Americas

Emerson Process Management  
8200 Market Boulevard  
Chanhassen, MN 55317 USA  
T (U.S.) 1-800-999-9307  
T (International) (952) 906-8888  
F (952) 949-7001

##### Europe, Middle East & Africa

Emerson Process Management  
Shared Services Ltd.  
Heath Place  
Bognor Regis  
West Sussex PO22 9SH  
England  
Tel 44 1243 845500  
Fax 44 1243 867554

##### Asia Pacific

Emerson Process Management  
Singapore Pte Ltd.  
1 Pandan Crescent  
Singapore 128461  
Tel 65 6777 8211  
Fax 65 6777 0947  
AP.RMT-Specialist@emersonprocess.com

www.rosemount.com



© 2005 Rosemount Inc. All rights reserved.

  
**EMERSON**  
Process Management