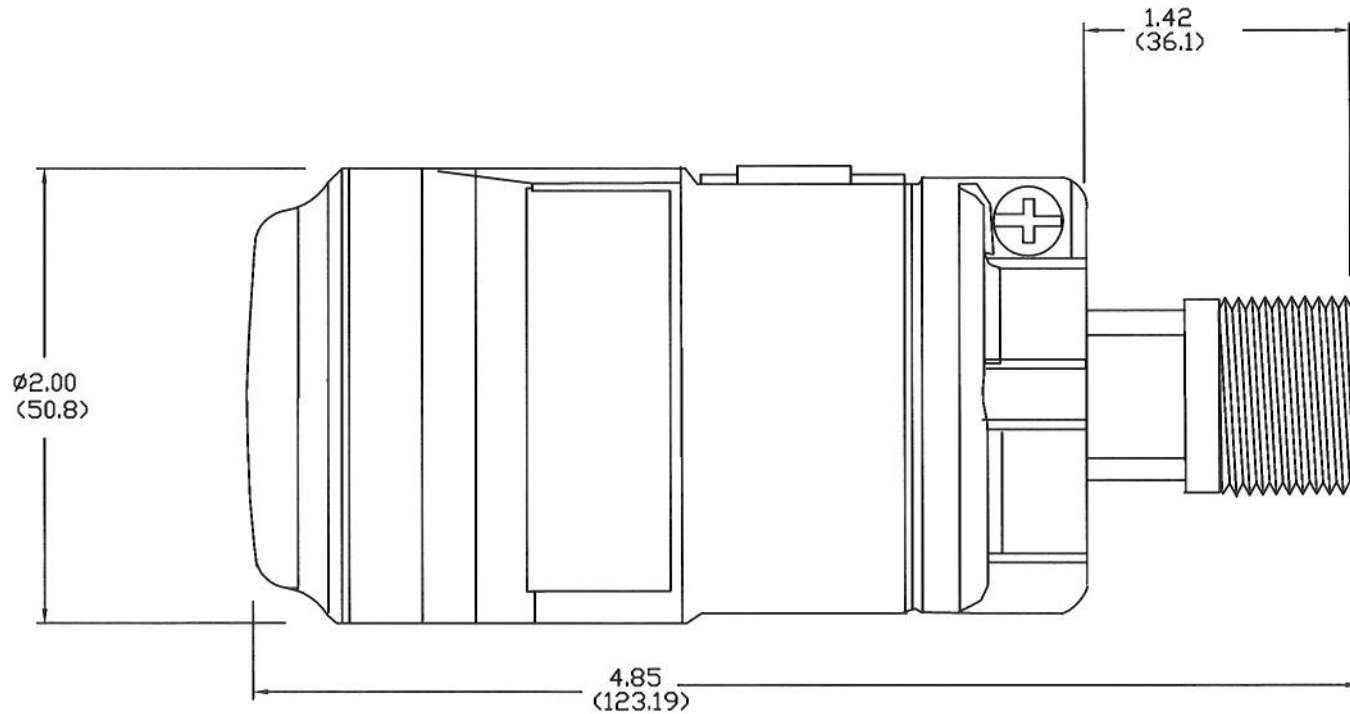
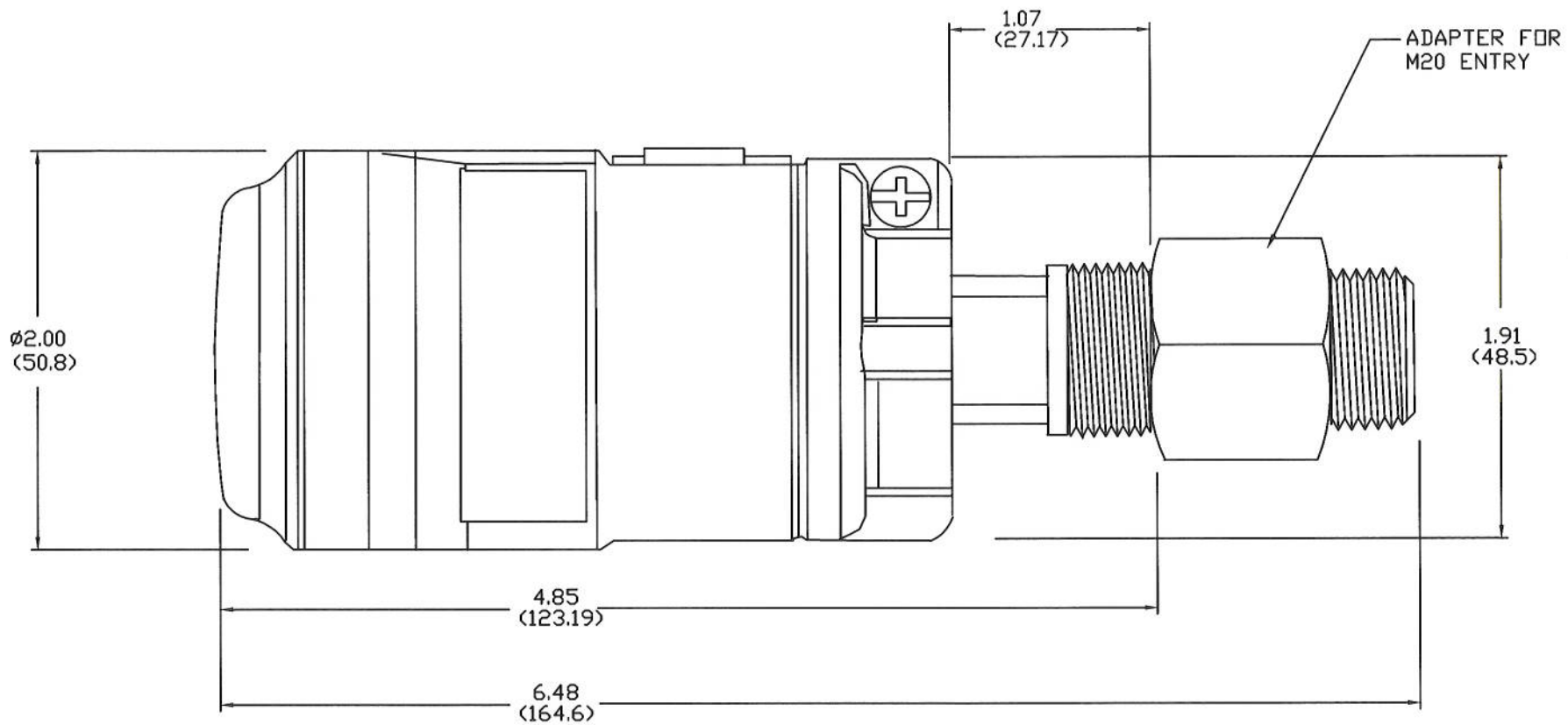


REVISIONS				
REV	DESCRIPTION	CHG.NO.	APP'D	DATE
AA	NEW RELEASE	RTC1028557	JV	5/21/09
AB	ASSEMBLE TRANSMITTER AND THUM AND ADAPTER	RTC1030625	MN	3/3/10

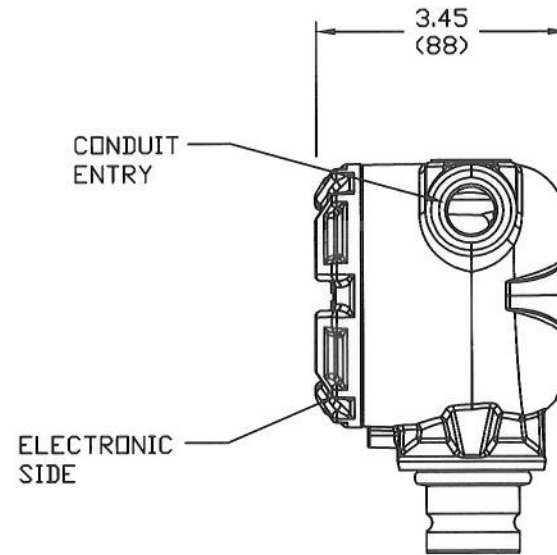
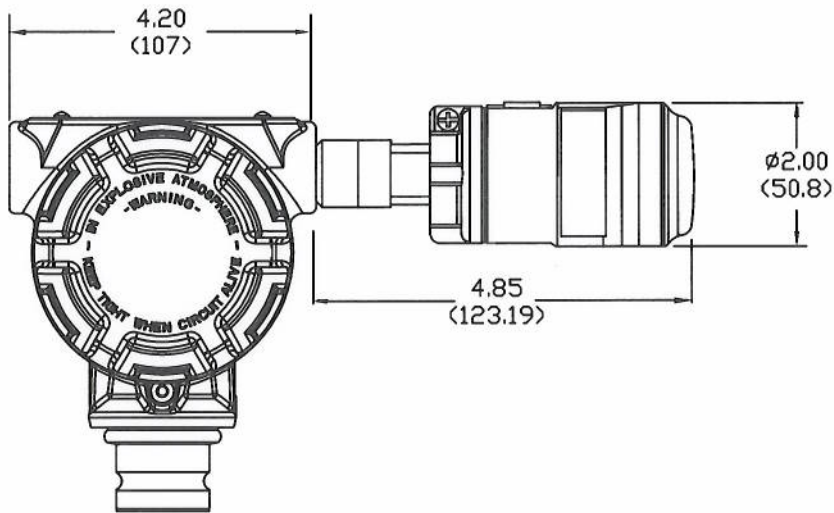


*UNLESS OTHERWISE SPECIFIED DIMENSIONS IN INCHES (MM)		TYPE I		ROSEMOUNT® CHANHASSEN, MINNESOTA	
*ALL DIMENSIONS ARE NOMINAL AND ARE FOR REFERENCE ONLY		DR. JOHN ARMSTRONG	5/21/09	TITLE	
		APPROVAL		DIMENSIONAL DRAWING FOR MODEL 775	
		DR J VANDERAA	5/21/09	DRAWING NO. 00775-7000	
		TAGGING		SIZE A	
		SPECIALS		SCALE:NONE	SHEET 1 OF 3



ROSEMOUNT INC.
CHANHASSEN, MINN.

SIZE	FSCM.NO.	DRAWING NO.
A		00775-7000
SCALE:		SHEET 2 OF 3



ROSEMOUNT INC.
CHANHASSEN, MINN.

SIZE	FSCM.NO.	DRAWING NO.
A		00775-7000
SCALE:		SHEET 3 OF 3